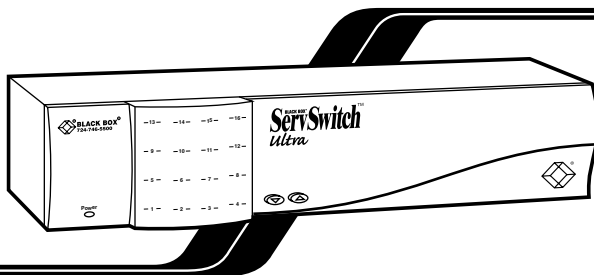





Step-By-Step Quick Install Guide for the ServSwitch



This guide is designed to quickly show you how to attach cables and equipment in order to install a ServSwitch™ system. For the basics, look over the diagram on the next two pages.

BLACK BOX and the  logo are registered trademarks, and ServSwitch is a trademark, of Black Box Corporation. PS/2 is a registered trademark of International Business Machines Corporation. Any other trademarks mentioned in this document are acknowledged to be the property of the trademark owners.

**CUSTOMER
SUPPORT
INFORMATION**

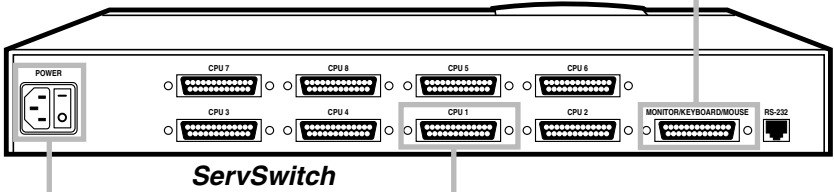
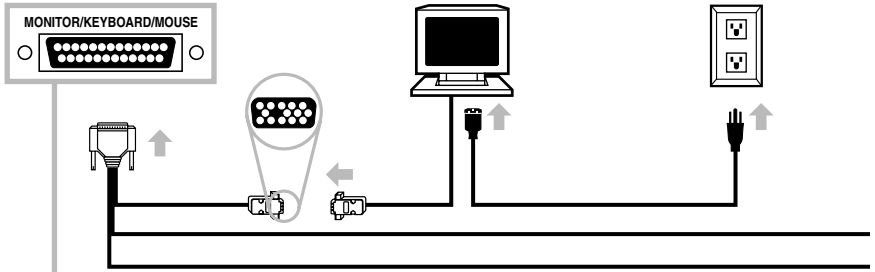
Order toll-free in the U.S. 24 hours, 7 A.M. Monday to midnight Friday: 877-877-BBOX
FREE technical support, 24 hours a day, 7 days a week: Call 724-746-5500 or fax 724-746-0746
Mail order: Black Box Corporation, 1000 Park Drive, Lawrence, PA 15055-1018
Web site: www.blackbox.com • E-mail: info@blackbox.com

SERVSWITCH QUICK INSTALL GUIDE

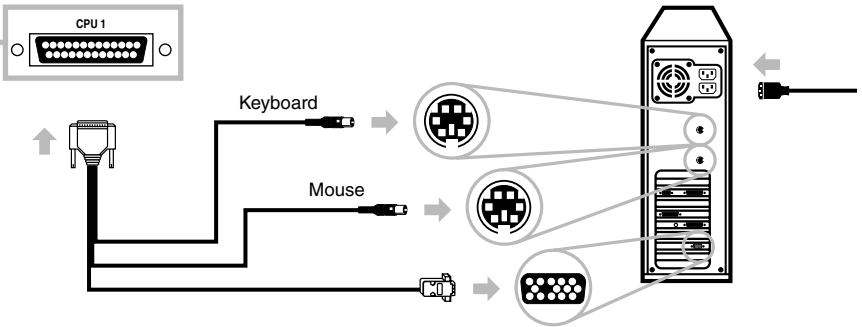
1 Attach User Adapter Cable.

2 Attach monitor (VGA type shown).

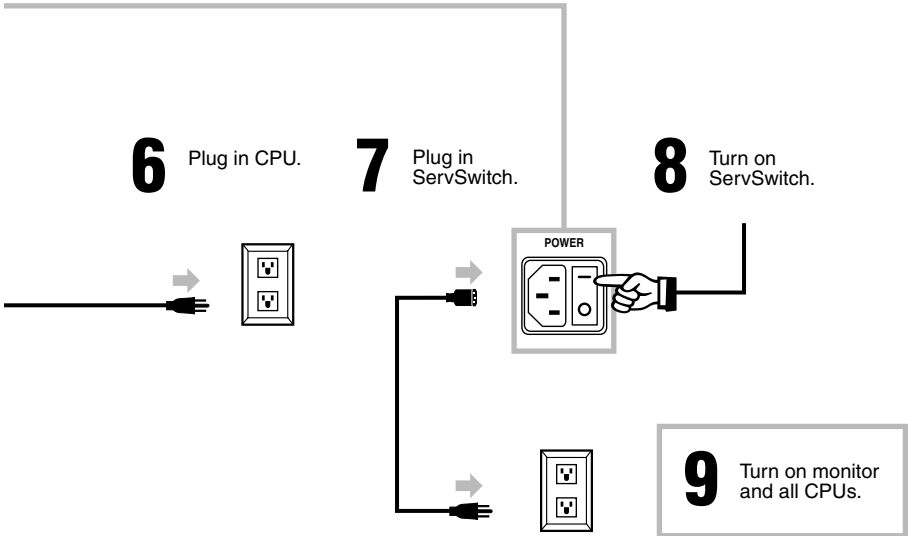
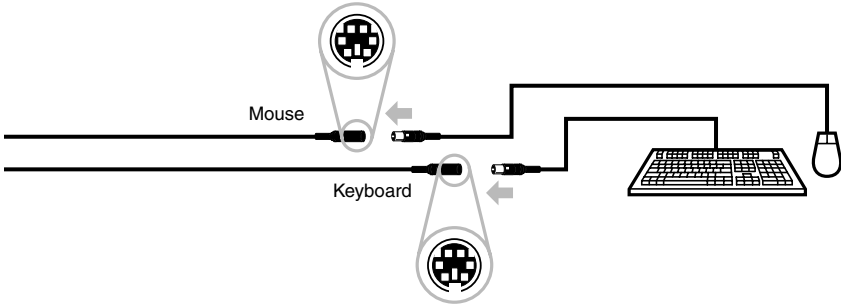
3 Plug in monitor.



5 Use CPU Adapter Cable to attach CPU **this way** (PS/2 CPU shown):



4 Attach your keyboard and mouse **this way** (PS/2® equipment shown):





© Copyright 2004. Black Box Corporation. All rights reserved.

1000 Park Drive • Lawrence, PA 15055-1018 • 724-746-5500 • Fax 724-746-0746