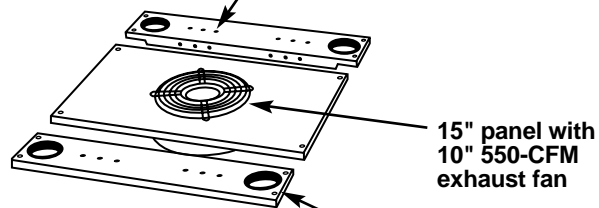


The NetRack Plus contains four full-length vertical organizers with front-to-rear and inside-to-outside cable feed-through holes.

19" rails meet EIA-310-D standards and contain  $\frac{10}{32}$ " mounting holes and bridge lances for securing cable. Heavy-duty reusable ties included.

Vertical cable organizers feature cable feed-through holes and cable rings.

Ladder rack mounting holes accept 6", 9", 12", and 15" wide ladder.

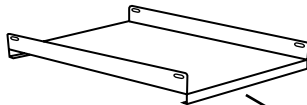


Overhead interior lighting

Cable access panels contain 3" holes with grommets and plugs. Soft grommets protect cable and prevent kinks.

Modular top panels can be field-adjusted to accommodate various cooling and cable-management scenarios.

Six-outlet power strip (125V, 15 amps)



Durable frame allows for a 3000-lb. load rating

Heavy-duty equipment shelf.

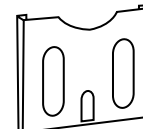
Shelving options include:

Sliding Shelf (RM170). It features a 75-pound capacity. It's 22.63"D—almost as deep as the fixed shelves.

Fixed Solid Shelf (RM171). It's 23 inches deep and can support up to 100 pounds.

Fixed Vented Shelf (RM172). It's 23" deep and can support up to 100 pounds.

16-gauge rear door with lock, bottom vents, and removable hinge pins



8.5" x 11" storage pocket on rear door holds equipment manuals

Front Plexiglas® door has a lock, bottom vent, and removable hinge pins.

Modular, vented side panels feature easy-lift handles.

A pontoon base has leveling feet and power-cord access hole.

Set of 4 full-swivel, heavy-duty casters (rated at 200 lb. each) is available.

Open bottom provides room for cable entry and exit.

VPN: ISBXDC

© Copyright 2000. Black Box Corporation. All rights reserved.

1000 Park Drive • Lawrence, PA 15055-1018 • 724-746-5500 • Fax 724-746-0746



RM550A	RM170
RM555A	RM171
RM560A	RM172
RM565A	RM173

# NetRack Plus

## Specifications

**Rack Spaces** — 52-inch models (RM550A and RM555A): 25 U; 78-inch models (RM560A and RM565A): 40 U

**Size** — External dimensions: *RM550A, RM555A*: 52"H x 28"W x 33"D (132 x 71.1 x 83.8 cm); *RM560A, RM565A*: 78"H x 28"W x 33"D (198.1 x 71.1 x 83.8 cm)

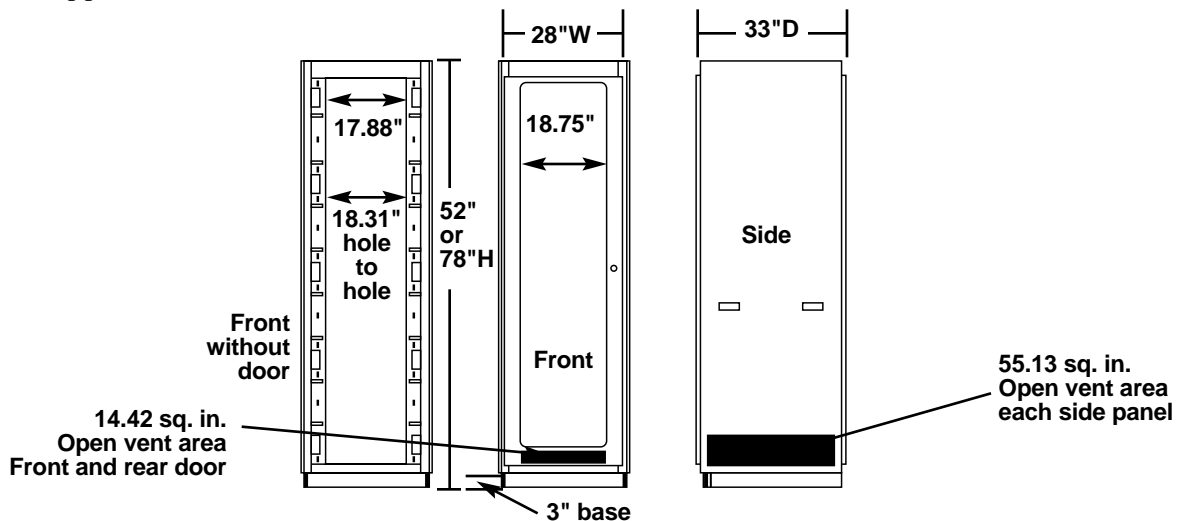
**Weight** — RM550A, RM555A: 241 lb. (109.3 kg); RM560A, RM565A: 315 lb. (142.9 kg)

## Description

The NetRack Plus is a fully assembled, ready-to-use cabinet. Just add your equipment and plug it in—that's it! See the illustration on the back of this page for a list of the NetRack Plus's features.

Additional features:

- Ample space inside the cabinet—large bundles of wire and cable fit without a problem.
- These fully welded and assembled racks, constructed of heavy 12-gauge steel, have a 3000-lb. load rating.
- Locking doors provide quick access and security.
- The Plexiglas® door can easily be changed from left- to right-opening with quick-release pins.
- Easily join the NetRack Plus frame to other racks or cabinets—just remove the side panels.
- For extra shelving, order sliding, fixed solid, or fixed vented shelves.
- Our Comm Cabinet accessories will fit this Rack. Check your BLACK BOX Catalog® or call Technical Support for additional information at 724-746-5500.



### CUSTOMER SUPPORT INFORMATION

Order toll-free in the U.S. 24 hours, 7 A.M. Monday to midnight Friday: 877-877-BBOX  
 FREE technical support, 24 hours a day, 7 days a week: Call 724-746-5500 or fax 724-746-0746  
 Mail order: Black Box Corporation, 1000 Park Drive, Lawrence, PA 15055-1018  
 Web site: [www.blackbox.com](http://www.blackbox.com) • E-mail: [info@blackbox.com](mailto:info@blackbox.com)