



© Copyright 2000. Black Box Corporation. All rights reserved.

1000 Park Drive • Lawrence, PA 15055-1018 • 724-746-5500 • Fax 724-746-0746



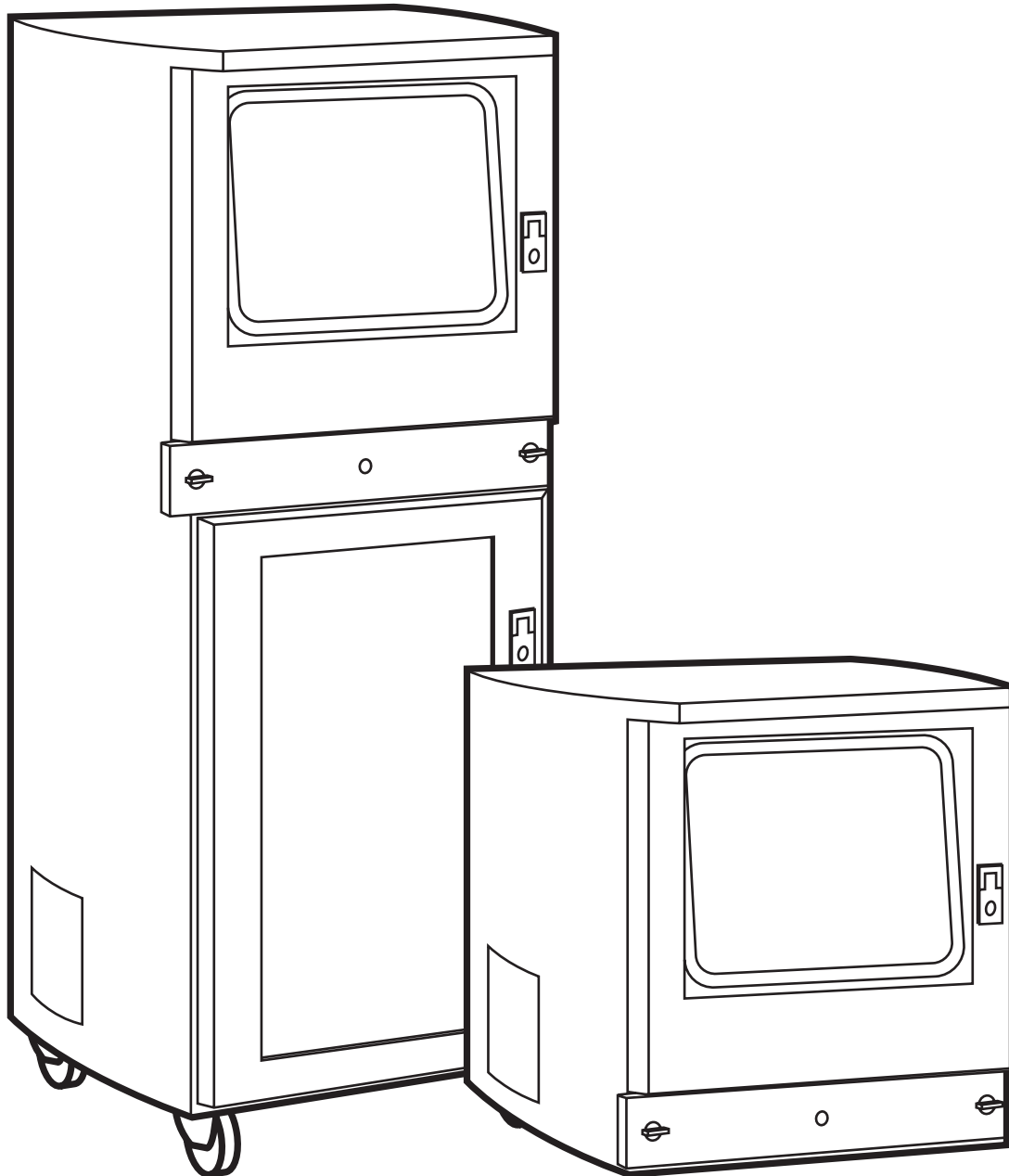
BLACK BOX[®]
NETWORK SERVICES



SEPTEMBER 2000

| | |
|---------|---------|
| RM1000A | RM1200A |
| RM1010 | RM1220A |
| RM1020 | RM1300A |
| RM1100A | RM1320A |

ClimateCab



**CUSTOMER
SUPPORT
INFORMATION**

Order **toll-free** in the U.S.: Call **877-877-BBOX** (outside U.S. call **724-746-5500**)
FREE technical support 24 hours a day, 7 days a week: Call **724-746-5500** or fax **724-746-0746**
Mailing address: **Black Box Corporation**, 1000 Park Drive, Lawrence, PA 15055-1018
Web site: www.blackbox.com • E-mail: info@blackbox.com

1. Specifications

Outside Cabinet Temperature Range—50 to 125°F (10 to 52°C)

Size—*Upper compartment*: Inside dimensions: 19"H x 21.6"W x 24.8"D (48.3 x 54.9 x 63 cm); This compartment has a 14" x 19" (35.6 x 48.3 cm) window for viewing.; *Lower compartment*: Inside dimensions: 31.9"H x 19.8"W x 24.8"D (81 x 50.3 x 63 cm); This compartment has NO viewing windows.

Weight—*ClimateCab*: 345 lb. (157 kg); *Desktop ClimateCab*: 200 lb. (90.7 kg)

TRADEMARKS

Any trademarks mentioned in this manual are acknowledged to be the property of the trademark owners.

2. Introduction

Available Models

- **ClimateCab PC/Monitor Cabinet (RM1000A).** NEMA 12, black, includes lockable front and rear doors, toolless rear split panel for cable access, three adjustable vented shelves, 2000-BTU air conditioner, casters, and sealed keyboard/mouse drawer with mousepad.
- **ClimateCab PC/Monitor Cabinet (RM1100A).** NEMA 12, beige, includes lockable front and rear doors, rear split panel for cable access; adjustable vented shelf with hold-down bracket, 2000-BTU air conditioner, casters, and sealed keyboard/mouse drawer with mousepad.
- **ClimateCab Desktop PC/Monitor Cabinet (RM1200A).** NEMA 12, black, includes lockable front and rear doors, rear split panel for cable access, adjustable vented shelf with hold-down bracket, 1800-BTU air conditioner and sealed keyboard/mouse drawer with mousepad. Designed for computer and monitor up to 21".
- **ClimateCab Desktop PC/Monitor Cabinet (RM1300A).** NEMA 12, beige, includes lockable front and rear doors, rear split panel for cable access, adjustable vented shelf with hold-down bracket, 1800-BTU air conditioner, and sealed keyboard/mouse drawer with mousepad. Designed for computer and monitor up to 21".
- **RM1010, Rack Channel for RM1000A and RM1100A.** 18U height for 19" rackmountability.
- **RM1020, Bolt Down Legs for RM1000A and RM1100A.**
- **ClimateCab Desktop (Black) PC/Monitor Cabinet Pedestal (RM1220A).** NEMA 12 with pedestal includes lockable front and rear doors, rear split panel for cable access, adjustable vented shelf with hold-down bracket, 1800-BTU air conditioner, and sealed keyboard/mouse drawer with mousepad. Designed for computer and monitor up to 21". It comes fully assembled on black pedestal. It's operator adjustable from 32 to 42 inches, and includes a ½" drive hand crank.
- **ClimateCab Desktop (Beige) PC/Monitor Cabinet Pedestal (RM1320A).** NEMA 12 with pedestal includes lockable front and rear doors, rear split panel for cable access, adjustable vented shelf with hold-down bracket, 1800-BTU air conditioner, and sealed keyboard/mouse drawer with mousepad. Designed for computer and monitor up to 21". It comes fully assembled on beige pedestal. It's operator adjustable from 32 to 42 inches, and includes a ½" drive hand crank.

What is NEMA 12?

NEMA 12 compliant enclosures are intended for indoor use primarily to provide a degree of protection against dust, falling dirt, and dripping, non-corrosive liquids.

NOTE

NEMA 12 enclosures are NOT fire or water-hose test resistant.

3. Installation

Installation: ClimateCab PC/Monitor Cabinet (RM1000A, RM1100A)

TOOLS REQUIRED

- Phillips screwdriver
- $\frac{7}{16}$ hex-head wrench

Figures 1 through 4 show the ClimateCab's dimensions.

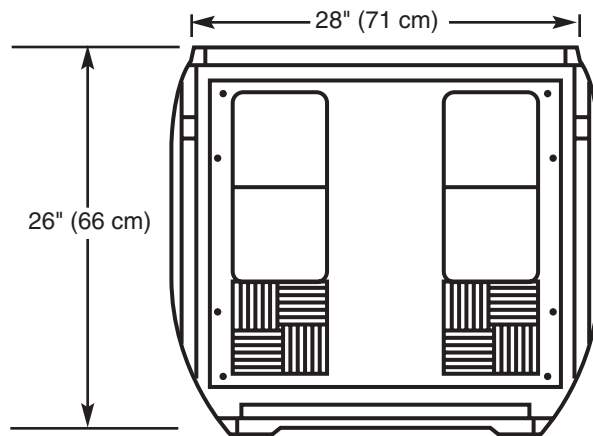


Figure 1. Top section of the ClimateCab.

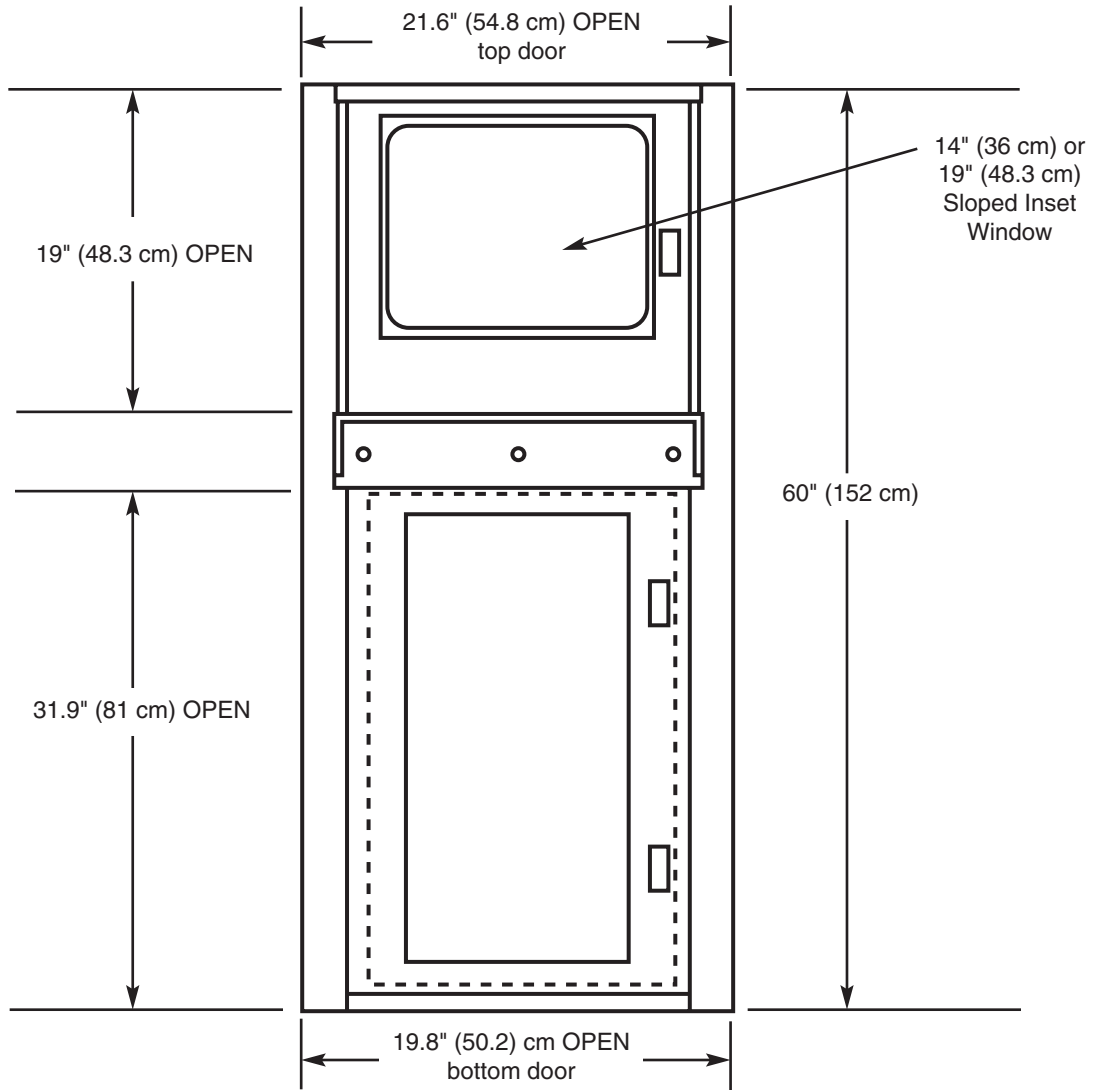


Figure 2. Front section of the ClimateCab.

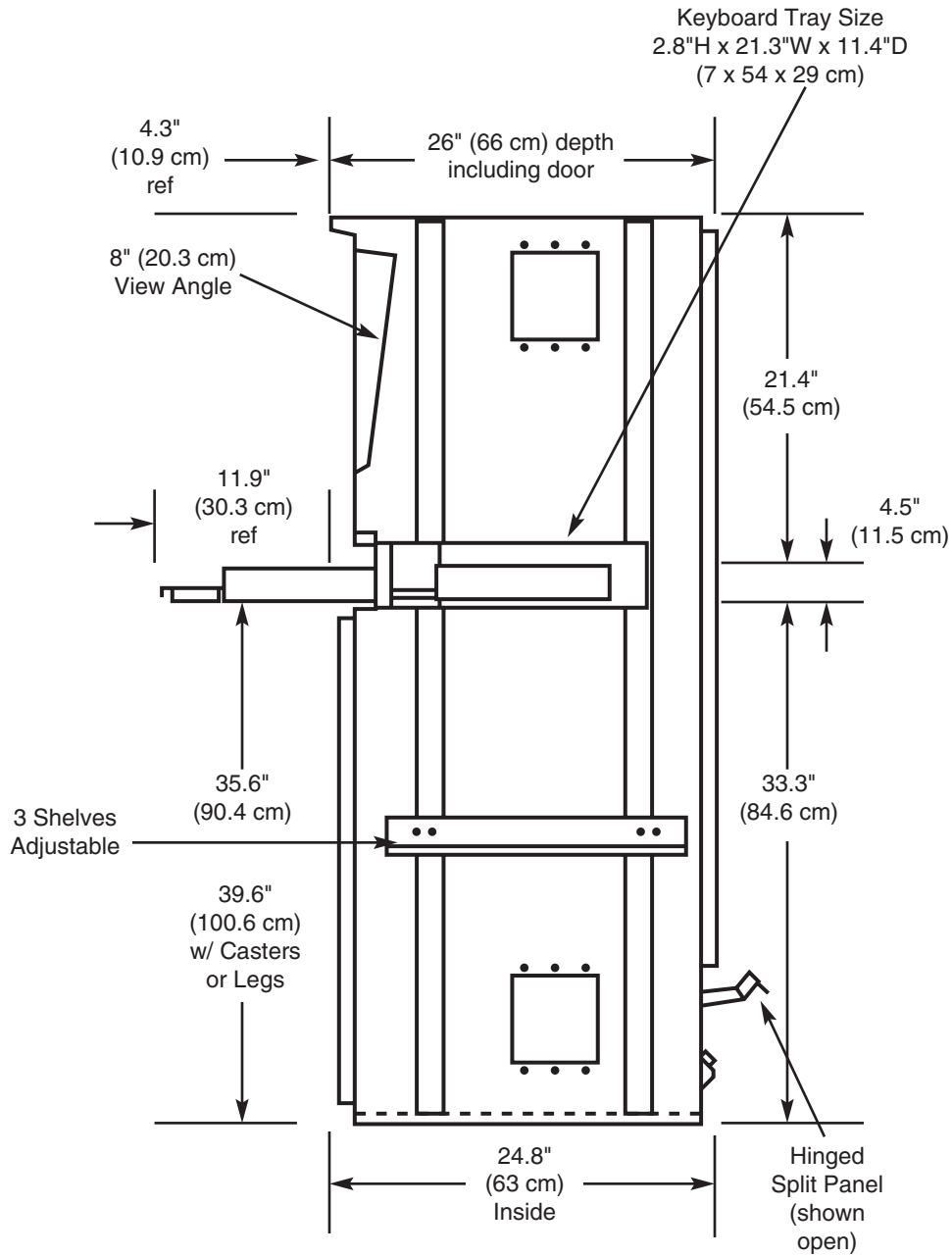


Figure 3. Right side section of the ClimateCab.

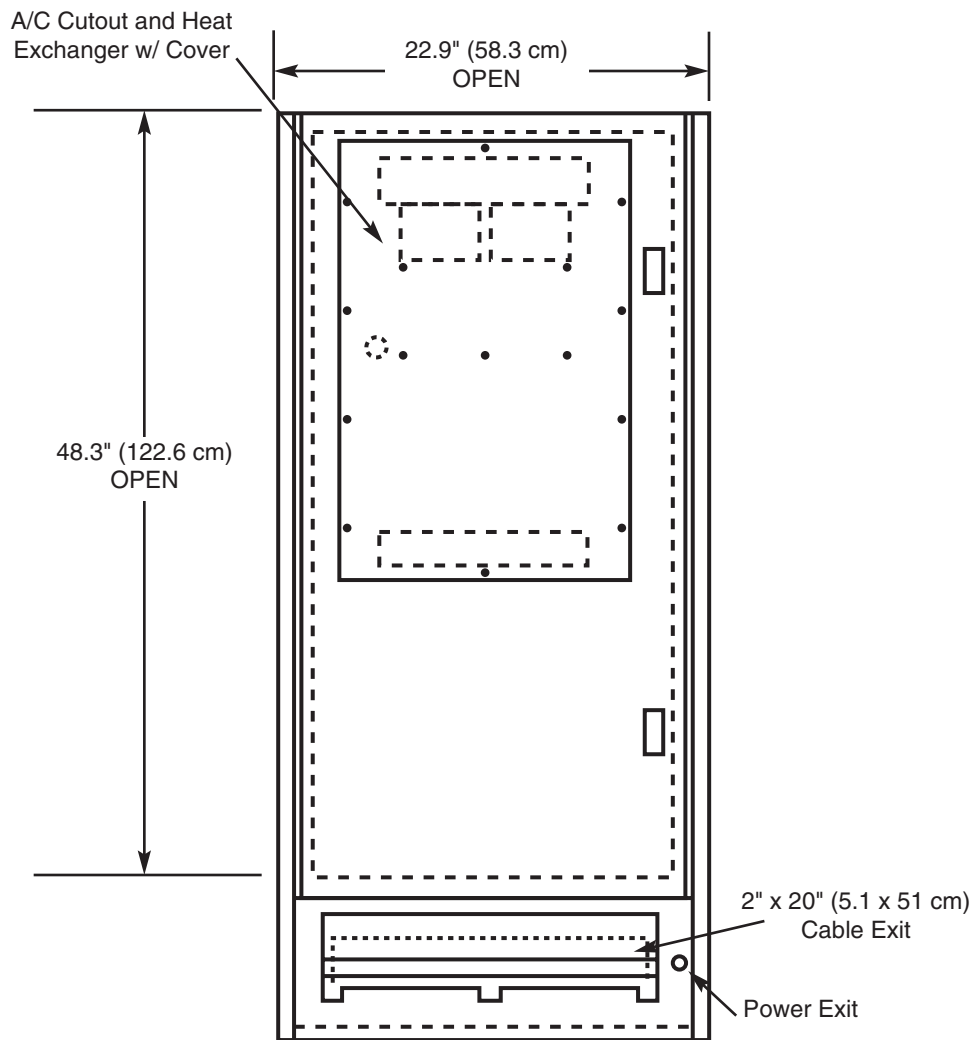


Figure 4. Rear section of the ClimateCab.

1. Position the enclosure before installing the hardware.
2. Open the front and rear doors. Lift the latch and turn it $\frac{1}{4}$ of the way counter-clockwise. To open the keyboard, rotate the two compression thumbscrews counter-clockwise $\frac{1}{2}$ turn.
3. **Keyboard Installation:**
 - A. From the front of the enclosure, loosen the two hex-head bolts on the side shelf adjustment.
 - B. From the rear, loosen the two hex-head bolts on the side shelf adjustment.
 - C. To create clearance to remove the top cover plate of the roll-out keyboard drawer, gently raise the shelf one end at a time.

- D. Remove the eight Phillips-head screws on the top cover plate of the roll-out keyboard.
 - E. From inside the enclosure, remove the Phillips-head screws from the top cover plate of the roll-out keyboard.
 - F. Lift the cover plate up and out of the enclosure.
 - G. Place the keyboard in the keyboard drawer. *Make sure the drawer is fully extended.*
 - H. Lay the keyboard cables through the rubber slot in the rear of the drawer and position the keyboard.
 - I. Replace the cover plate while the drawer is fully extended—finger-tighten all screws by hand before tightening with a screwdriver. Close the roll-out keyboard and check cable clearances.
4. **Monitor Installation:**
- A. Remove the hold-down brace by cutting the wire ties on the brace and unscrewing the nuts on top of all threads. Lift off the brace.
 - B. Adjust the shelf height to fit the monitor screen to the window. Gently adjust each corner of the shelf to the desired height. Check the monitor fit. Tighten the shelf adjusting bolts.
 - C. Before replacing the hold-down bracket, adjust the monitor position front to back and side to side. This will ensure alignment with the window and closed door clearance. The bolts should be snug, not tight.
5. **Computer Installation:**
- A. Place the computer on the shelf. Adjust the shelf, if necessary, as described above.
 - B. Attach all the cables and then secure the computer with the hold-down bracket. The bolt should be snug, not tight.
 - C. Plug in all power cables.
6. Plug all equipment into a surge protector. Check all clearances on the cables before securing all doors.

Installation: ClimateCab Desktop PC/Monitor Cabinet (RM1200A, RM1300A)**TOOLS REQUIRED**

- Short Phillips screwdriver
- $\frac{7}{16}$ hex-head wrench

Figures 5 through 8 show the Desktop ClimateCab's dimensions.

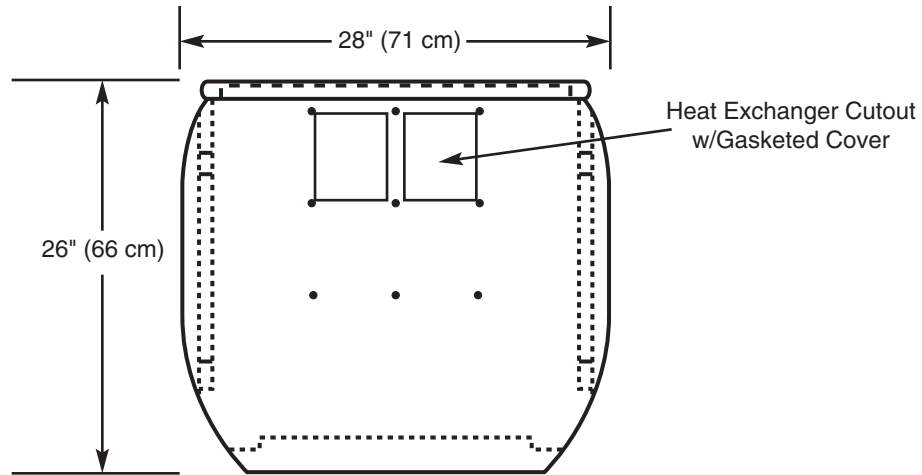


Figure 5. Top section of the Desktop ClimateCab.

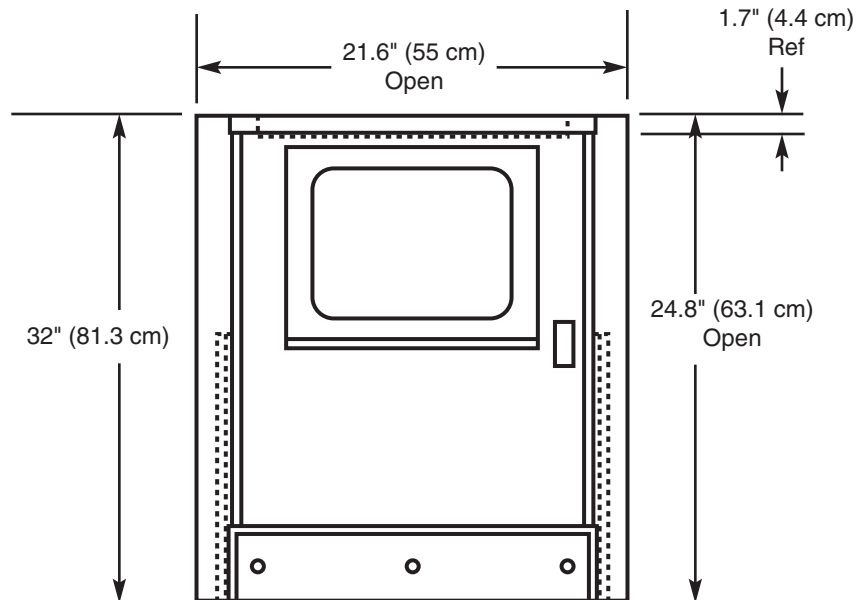
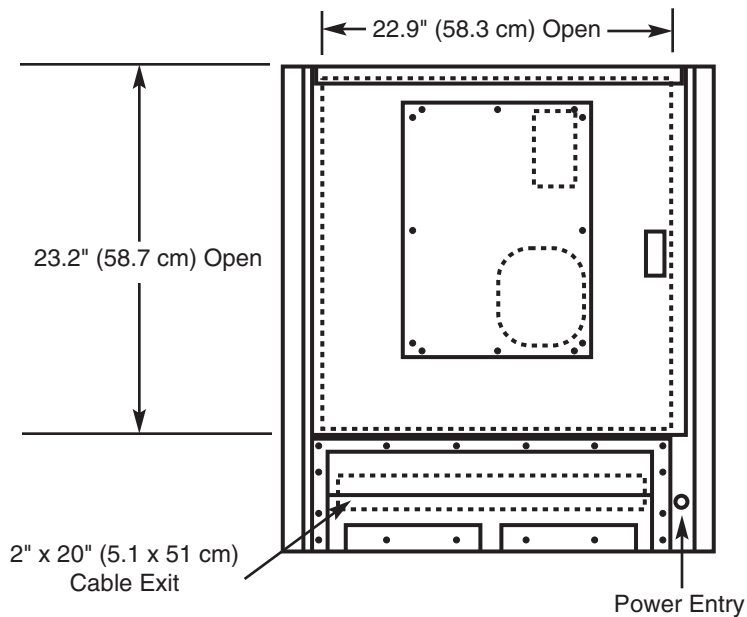
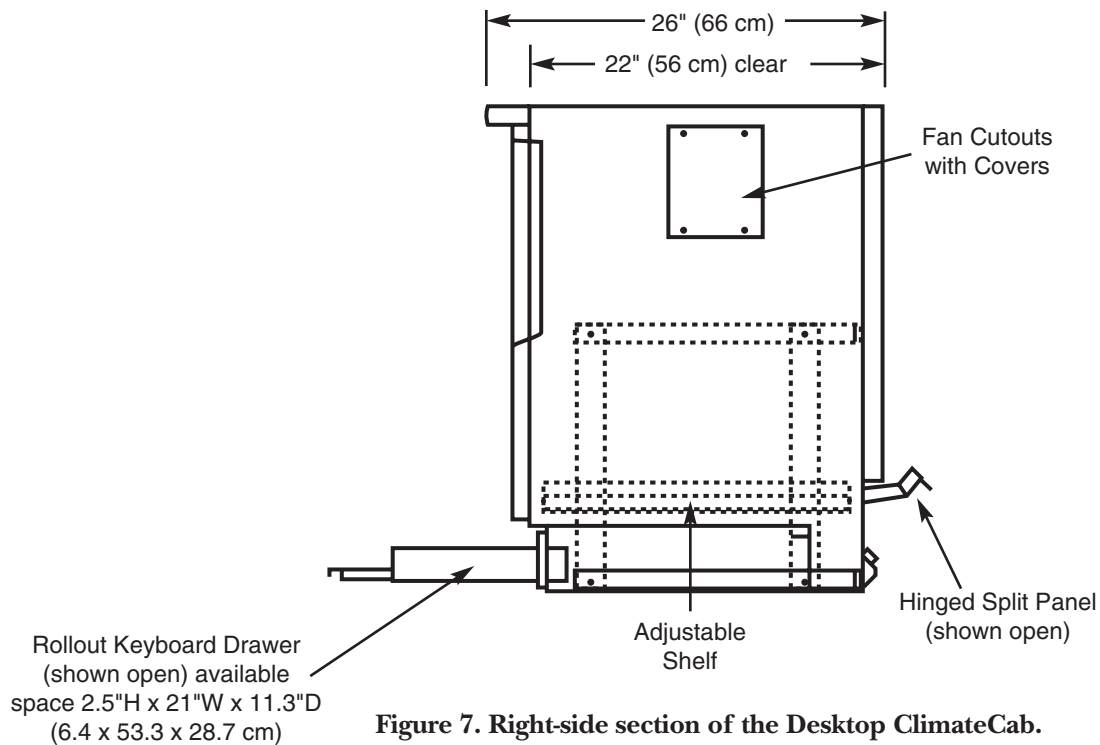


Figure 6. Front section of the Desktop ClimateCab.



1. Position the enclosure before installing the hardware.
2. Open the front and rear doors. Lift the latch and turn it $\frac{1}{4}$ of the way counter-clockwise. To open the keyboard, rotate the two compression thumbscrews counter-clockwise $\frac{1}{2}$ turn.
3. **Keyboard Installation:**
 - A. From the front of the enclosure, loosen the two hex-head bolts on the side shelf adjustment.
 - B. From the rear, loosen the two hex-head bolts on the side shelf adjustment.
 - C. To create clearance to remove the top cover plate of the roll-out keyboard drawer, gently raise the shelf on end at a time.
 - D. Remove the eight Phillips-head screws on the top cover plate of the roll-out keyboard.
 - E. From inside the enclosure, remove the Phillips-head screws from the top cover plate of the roll-out keyboard.
 - F. Lift the cover plate up and out of the enclosure.
 - G. Place the keyboard in the keyboard drawer. *Make sure the drawer is fully extended.*
 - H. Lay the keyboard cables through the rubber slot in the rear of the drawer and position the keyboard.
 - I. Replace the cover plate while the drawer is fully extended. Finger-tighten all screws by hand before tightening with a screwdriver. Close the roll-out keyboard and check the cable clearances.
4. **Computer Installation:**

Install the computer on the bottom of the enclosure.
5. **Monitor Installation:**
 - A. Remove the hold-down brace by cutting the wire ties on the brace and unscrewing the nuts on the top of all threads. Lift off the brace.
 - B. Adjust the shelf height to fit the monitor screen to the window. Loosen the four $\frac{7}{16}$ bolts under the shelf. Gently adjust each corner of the shelf to the desired height. Check the monitor fit. Tighten the bolts.
 - C. Before replacing the hold-down bracket, adjust the monitor position front to back and side to side. This will ensure alignment with the window and closed door clearance. Bolts should be snug, not tight.
6. Remove the four $\frac{7}{16}$ hex-head bolts from the bottom rear hinged panel and attach all the computer cables through the opening. Tighten the bolts.
7. Plug all the equipment into the surge protector. Check all clearances on the cables before securing all the doors.

Desktop ClimateCab with Operator-Adjustable Pedestal (RM1220A, RM1320A)

FEATURES AND BENEFITS

- Design allows 360-degree rotation.
- Will support 600-lb. (272.2-kg) load.
- Standard ½" square socket drive allows height adjustment from 32 to 42 inches (81.3 to 106.7 cm) with common power drivers or hand wrenches. Supplied with hand crank (8 turns per inch).
- Heavy gauge steel tubing, welded construction.
- Black textured paint finish.
- Solution for ergonomic-related height-positioning requirements.
- Economical alternative to hydraulic or electric-motor-activated supports, when less frequent height position adjustment is needed for operator interface or display enclosures.

Servicing

The cabinets have an aluminum metal filter. Depending upon the application, you may need to service the filter more or less frequently. To service the filter, simply remove it from the cabinet, clean it gently with water, let it dry, then return it to its place in the cabinet.