

channel of the frame. Place a second hexnut (6) on the stem of the caster inside the frame. Do not tighten it at this time.

- 3) Attach the wall bracket (8) to the tube (7) using bolts, lockwashers, and hexnuts (9, 10, and 3) and tighten. Note that by using different holes the standoff distance from the wall may be varied. Repeat for the second wall-bracket assembly.
- 4) Insert the tube between tabs on the frame-bracket assembly and insert the hinge pin (11) through the holes in the frame bracket and tube. Insert a hairpin clip (12) through the hole in the hinge pin to keep the hinge pin in place.
- 5) At this time wall brackets should be attached to the supporting wall using the appropriate hardware, and the frame should be leveled using hexnuts on ball casters.

NOTE

To allow for flexible installation, wall brackets may be mounted either vertically or horizontally. If mounting on poured concrete or block wall, wall brackets should be mounted horizontally. If mounting on a stud wall, brackets should be mounted vertically to allow bolts to enter vertical studs (see the illustration on the previous page).

- 6) The lock pin (13) should be inserted through the hole in the frame bracket and tube to lock the frame at the appropriate angle. This should be done at both the top and bottom hinge locations.



Hinged Brackets (Set of 2)

These are the parts you should have received. Refer to the illustration as you identify where each part goes.

- | | | |
|----------------------|---------------------|----------------------|
| 1 (2) frame brackets | 2 (2) ½" x 1" bolts | 3 (2) ½" lockwashers |
| 4 (2) ½" hexnuts | 5 (2) ball casters | 6 (4) ⅝" hexnuts |
| 7 (2) tubes | 8 (2) wall brackets | 9 (4) ⅜" x 1½" bolts |
| 10 (4) ⅜" hexnuts | 11 (2) hinge pins | 12 (2) hairpin clips |
| 13 (2) locking pins | | |

You will need a ¾", ½", and ⅝" socket or wrench in order to assemble the Hinged Brackets.

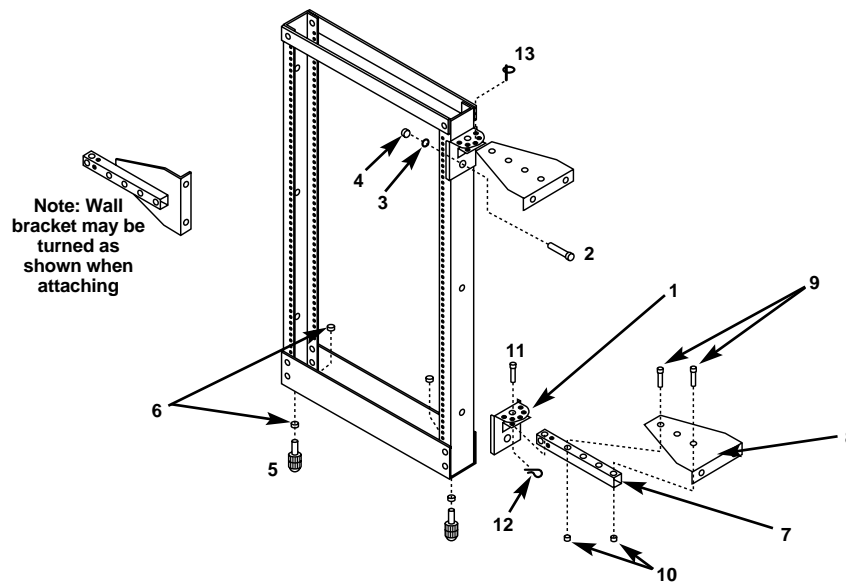


Figure 1. Hinged Brackets Components.

- 1) Attach the frame bracket (1) to the vertical upright of the rack. Use the holes closest to the bottom and to the top of the upright. Attach each bracket with a bolt, lockwasher, and hexnut and tighten.
- 2) When attaching casters to the bottom of the frame, use the holes closest to the outside of the frame. Install a hexnut (6) on the stem of the ball caster. Place the stem of the caster through the hole in the bottom