

Installation

- 1) Attach the frame brackets (Item 1) to the vertical uprights on the rack. Use the holes closest to the bottom and to the top of the upright. Attach each bracket with one bolt, lockwasher, and hexnut (Items 2, 3, and 4). Tighten firmly.
- 2) *Note: When attaching the casters to the bottom of the frame, use the holes closest to the outside of the frame.*

Install a hexnut (Item 6) on the stem of the ball caster (Item 5). Place the stem of the caster through the hole in the bottom channel of the frame. Place a second hexnut (Item 6) on the stem of the caster inside the frame. Do not tighten at this time. Repeat for the second caster.

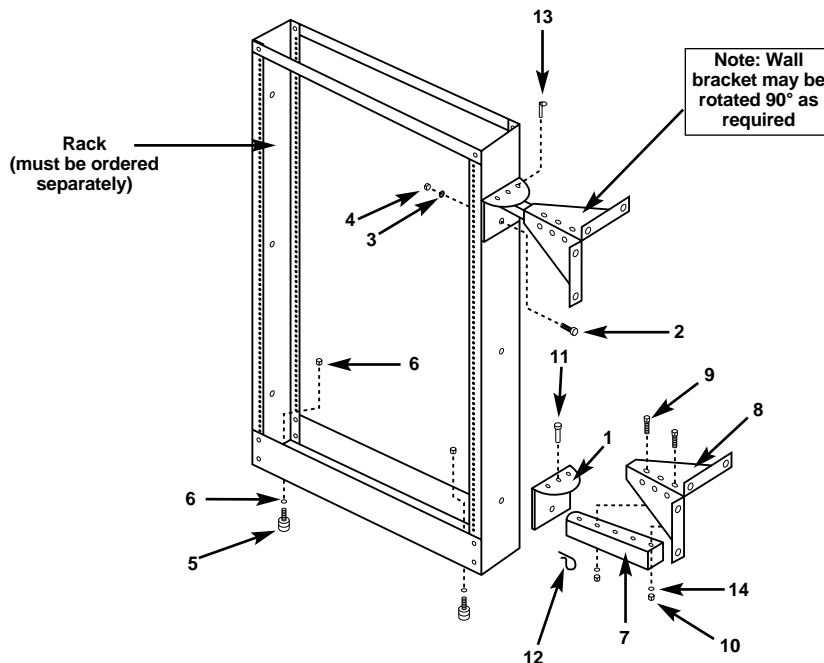
- 3) Attach the wall bracket (Item 8) to the tube (Item 7) using 2 bolts, 2 lockwashers, and 2 hexnuts (Items 9, 10, and 14). Tighten firmly. Note that by using different holes, you can change the standoff distance from the wall.

Repeat for the second wall-bracket assembly.

- 4) Insert the tube between the tabs on the frame-bracket assembly and insert the hinge pin (Item 11) through the holes in the frame bracket (one on the top and one on the bottom bracket) and tube. Insert the hairpin clip (Item 12) through the hole in the hinge pin (one on the top and one on the bottom bracket) to keep the hinge pin in place.

Attach the wall brackets to the supporting wall using the appropriate hardware (not supplied) and level the frame using the hexnuts on ball casters.

- 5) The locking pin (Item 13) should be inserted through the hole in the frame bracket and tube to lock the frame at the appropriate angle. This should be done at both top and bottom hinge locations.



VPN: ISBBRM043

© Copyright 1999. Black Box Corporation. All rights reserved.



Hinged Bracket

What's Included

You should have received these components. Refer to the figure on the next page as you identify where each part goes.

- Item 1 (2) Frame Brackets
- Item 2 (2) ½" x 1" Bolts
- Item 3 (2) ½" Lockwashers
- Item 4 (2) ½" Hexnuts
- Item 5 (2) Ball Casters
- Item 6 (4) ⅝" Hexnuts
- Item 7 (2) Tubes
- Item 8 (2) Wall Brackets
- Item 9 (4) ⅜" x 1½" Bolts
- Item 10 (4) ⅜" Hexnuts
- Item 11 (2) Hinge Pins
- Item 12 (2) Hairpin Clips
- Item 13 (2) Locking Pins
- Item 14 (4) ⅜" Lockwashers

You will need a ¾", ½", and ⅝" socket or wrench in order to assemble the Hinged Bracket.

**CUSTOMER
SUPPORT
INFORMATION**

Order **toll-free** in the U.S. 24 hours, 7 A.M. Monday to midnight Friday: **877-877-BBOX**
FREE technical support, 24 hours a day, 7 days a week: Call **724-746-5500** or fax **724-746-0746**
Mail order: **Black Box Corporation**, 1000 Park Drive, Lawrence, PA 15055-1018
Web site: www.blackbox.com • E-mail: info@blackbox.com