



DC Power Supply Connection – AC/DC Adapter (AD) Plug

Certain units are equipped with a Wide Range AC/DC power supply. These units are equipped with a standard AC-type 3-prong power input connector located on the unit rear panel. This power input connector can be used for both AC and DC voltage inputs.

For DC operation, a compatible straight , AC/DC Adapter (AD) plug for attaching to your DC power supply lines is supplied with your product (see Figure 1).

Connect the wires of your DC power supply cable to the AD plug, according to the voltage polarity and assembly instructions provided below.

Caution: Prepare all connections to the AD plug **before** inserting it into the unit's power connector.



Figure 1

Preparing and Connecting the Power Supply Cable with the AD Plug

1. Loosen the cover screw on the bottom of the AD plug to open it (see Figure 2).
2. Run your DC power supply cable through the removable cable guard and through the open cable clamp.
3. Place each DC wire lead into the appropriate AD plug wire terminal according to the voltage polarity mapping shown. Afterwards, tighten the terminal screws close.
4. Fit the cable guard in its slot and then close the clamp over the cable. Tighten the clamp screws to secure the cable.
5. Reassemble the two halves of the AD plug and tighten the cover screw.
6. Connect the assembled power supply cable to the unit.

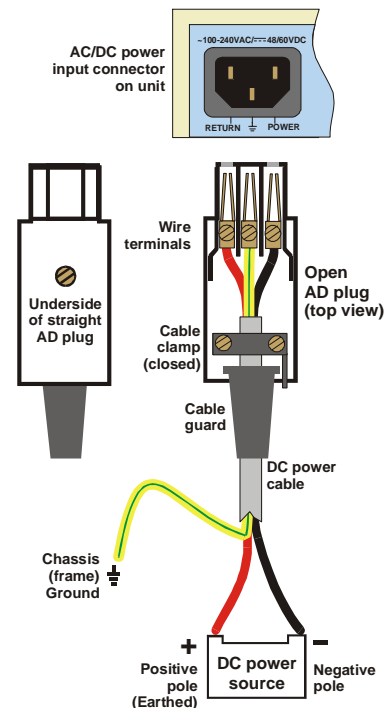


Figure 2



Warning:

- Reversing the wire voltage polarity will **not** cause damage to the unit, but the internal protection fuse will not function.
- Always connect a ground (earth) wire to the AD plug's Chassis (frame) Ground terminal. Connecting the unit without a protective ground, or interruption of the grounding (for example, by using an extension power cord without a grounding conductor) can cause harm to the unit or to the equipment connected to it!
- The AD adapter is not intended for field wiring.