



MTU242A-CM
August 2000



G.703 75/120 Adapter with Cables

Copyright 2000. Black Box Catalogue, Ltd.

464 Basingstoke Road, Reading, Berkshire RG2 0QN

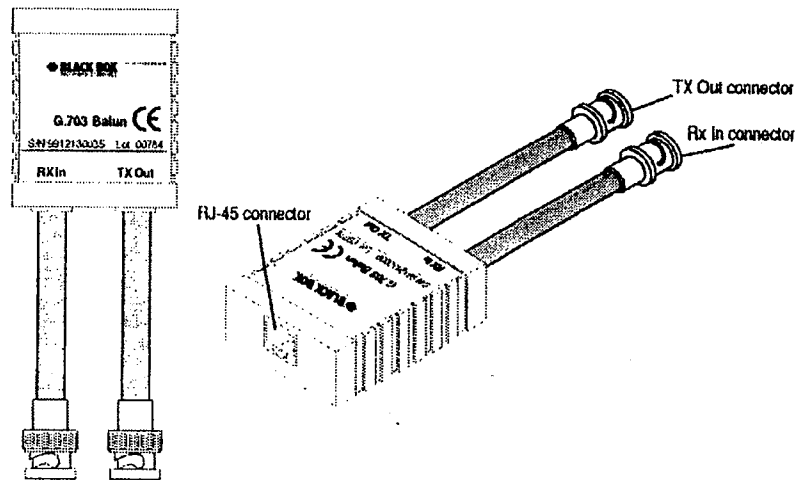
TECHNICAL: (0118) 965 6000
SALES: (0118) 965 5100
FAX: (0118) 965 5001
ADDRESS: 464 Basingstoke Road, Reading, Berkshire RG2 0QN
WEB: www.blackbox.co.uk

CE Notice

The CE symbol on your Black Box equipment indicates that it is in compliance with the Electromagnetic Compatibility (EMC) directive of the European Union (EU). A Certificate of Compliance is available by contacting Black Box Technical Support.

Product Description

The MTU242A-CM allow 75 Ohm coax hardware to communicate with 120 Ohm twisted pair equipment. The MTU242A-CM specifically address the ONP requirement that European PTTs offer 120 Ohm twisted pair terminations to their customers. Some PTTs and private carriers are standardized on 75 Ohm coax, or have customers whose CPE has only 75 Ohm coax connections. The G.703 75/120 Adapter Series present a ready solution to this termination mismatch by allowing a bi-directional conversion of coax (75 Ohm) to a twisted pair (120 Ohm), supporting data rates to E1 (2.048 Mbps). The signals output by them are scaled to match the pulse shape requirements specified by the CCITT G.703 standard.



RJ-45 Jack Descriptions

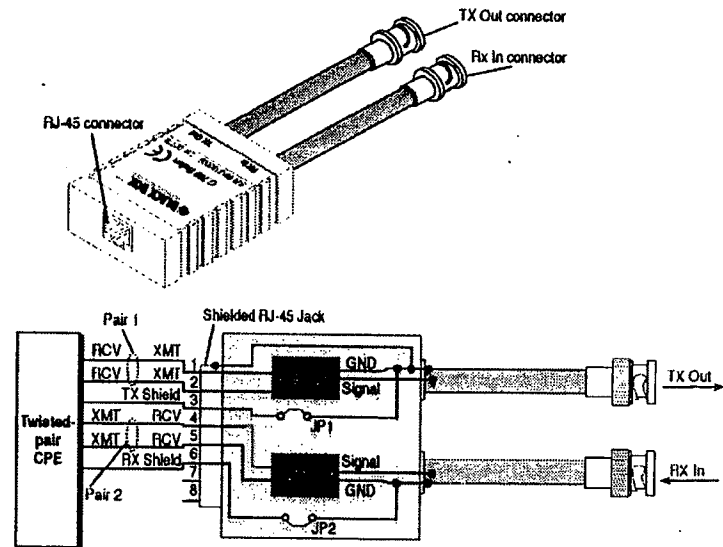
Shielded RJ-45 Jack:

Æ Pins 1 and 2 are the balanced inputs. The balanced signals are converted to an unbalanced signal on the center conductor of the TX Out coax connector.

Æ The unbalanced signal from the RX In coax connector is converted to balanced signals on pins of the RJ-45.

Æ The shield of the RX In connector may be connected to RJ-45 pin 6 by jumper JP2 (on).

Æ The shield of the TX Out connector is always connected to the shield around the RJ-45 connector. This connection may also be connected to RJ-45 pin 3 via JP1 (on).



Configuration

The following section describes configuring the MTU242A-CM. The MTU242A-CM is pre-set to work in most applications without additional configuration. The only parameter that is user-configurable is the shield connection between the 75 Ohm coax and 120 Ohm interfaces. The diagram on the following page shows how the shield is connected between the modular jack and dual BNCs. Removing the jumper breaks the connection.

The MTU242A-CM is most often used to bi-directionally convert CPE twisted pair terminations to CPE coaxial terminations.

<u>RJ-45 (120 ohm)</u>	<u>Jumper</u>	<u>Coax BNC (75 ohm)</u>
------------------------	---------------	--------------------------

Pin 3 (TX Shield).....	JP1.....	TX Out Shield
Pin 6 (RX Shield).....	JP2.....	RX In Shield

The factory setting leaves both jumpers JP1 and JP2 (see figure above) in place, thus passing both shield connections through. To break one or both of the shield connections, follow the instructions on the next page.

- 1) Insert a flat blade screwdriver into the slot on the side of the MTU242A-CM case and twist. The case will pop open, exposing the PC board.
- 2) Holding the PC board with the modular jack facing left, locate jumper JP1 toward the top of the board and JP2 toward the bottom of the board. Remove the desired jumper(s) to break one or both shield connections.
NOTE: Do not lose the jumper(s).
- 3) Re-align the case halves and end inserts and snap the case halves back together.

Installation

The sections below describe installing the MTU242A-CM.

Installing the MTU242A-CM

Do the following:

- 1) Refer to the pin configuration below when assembling the cable that will connect to the RJ-45 jack.

<u>RJ-45 Pin(s)</u>	<u>Function</u>
1 and 2.....	TX pair
3.....	TX shield
4 and 5.....	RX pair
6.....	RX shield
- 2) Plug the modular cable connector into the RJ-45 jack.
- 3) Connect the coaxial cables to the TX Out and RX In connectors. Congratulations, you have finished installing the MTU242A-CM.

Appendix A**Black Box G.703 75/120 Adapter Series Specifications**

Transmission Line:	ITU/CCITT G.703 (unstructured)
Data Rate:	2.048 Mbps maximum
Unbalanced Coaxial Connection:	Dual coax BNC connectors, male or female (RG 59 or 2002 coax) and Nominal Line Impedance = 75 Ohms
Balanced Twisted Pair Connection:	Single 8-pin RJ-45 jack, shielded (two twisted-pair), Nominal Line Impedance = 120 Ohms and 4-position, removable terminal block
Power Supply:	None required, passive device
Operating Temperature:	0-50; Celcius (32-122; Fahrenheit)
Coaxial Twisted Pair Isolation:	1500V rms
Compliance:	CE approved
Dimensions:	0.8H x 1.7W x 2.7D in. (6.86H x 4.32W x 2.03D cm.)

How To Contact your Local Black Box**Italy:**

Black Box Italia S.P.A
 Tel: 0227400280
 Fax: 0227400219
www.blackbox.it

Germany:

Black Box Deutschland
 Tel: 0811/5541-0
 Fax: 0811/5541-499
www.blackbox-deutschland.com

Switzerland:

Datacom Black Box Services AG
 Tel: 0554517070
 Fax: 0554517075
www.black-box.xh

Netherlands:

Black Box Datacom BV
 Tel: 03032417799
 Fax: 0302414746
www.blackbox.nl/

Belgium:

Black Box
 Tel: 027258550
 Fax: 027259212
www.blackbox.be

France:

Black Box Catalogue
 Tel: 0145606700
 Fax: 0145606747
www.blackbox.fr

Spain:

Black Box Comunicaciones S.A.
 Tel: 34 91 663 0200
 Fax: 34 91 661 84 35
www.blackbox.es

Australia:

Black Box Catalog Australia PTY LTD
 Tel: 0398797100
 Fax: 0398702955

Brazil:

Black Box Do Brasil
 Tel: (011) 5515-4000
 Fax: (011) 5515-4002
www.blackbox.com.br

Canada:

Black Box Canada Corp.
 Tel: 0416-736-8000
 Fax: 0416-736-7348
www.blackbox.com

Mexico:

Black Box De Mexico S.A. de C.V.
 Tel: 05-420-0100
 Fax: 05-420-0123
www.blackbox.com.mx

Japan:

Black Box Catalog
 Tel: 03-3820-5011
 Fax: 03-3820-5010
www.blackbox.co.jp

U.S.A.:

Black Box Corporation
 Tel: 724-746-5500
 Fax: 724-746-0746
www.blackbox.com

Chile:

Black Box Chile
 Tel: 00 562 223 8811
 Fax: 00 562 225 1002
www.blackbox.cl