

**MDS921AE-10BTS**      DESKTOP

**MDS922AE-10BTS**      MINI RACK

**MDS920C-10BTS**      RACK CARD

**Integrated Subscriber Access Device**

---

User Manual

Version                    1.2  
Revision                  09 February 2005  
Document name          MDS92x\_Manual

© Copyright ©2005 by Black Box Network Services. The contents of this publication may not be reproduced in any part or as a whole, transcribed, stored in a retrieval system, translated into any language, or transmitted in any form or by any means, electronic, mechanical, magnetic, optical, chemical, photocopying, manual, or otherwise, without the prior written permission of Black Box Network Services. Published Black Box Network Services. All rights reserved.

|   |           |
|---|-----------|
| <b>VERSION CONTROL .....</b>                                | <b>6</b>  |
| <b>1 INTRODUCTION.....</b>                                  | <b>7</b>  |
| <b>2 ORDERING INFORMATION .....</b>                         | <b>9</b>  |
| <b>3 SPECIFICATIONS .....</b>                               | <b>11</b> |
| <b>4 TECHNOLOGIES .....</b>                                 | <b>12</b> |
| 4.1 xDSL technology, background .....                       | 12        |
| 4.1.1 Asymmetric DSL (ADSL) technology .....                | 12        |
| 4.1.2 ISDN DSL technology .....                             | 13        |
| 4.1.3 High bit rate DSL (HDSL) technology .....             | 14        |
| 4.1.4 XTRANS technology .....                               | 15        |
| 4.1.5 Multispeed DSL (MDSL) technology .....                | 16        |
| 4.1.6 Multispeed DSL (MSDSL) technology.....                | 17        |
| 4.1.7 G.SHDSL technology.....                               | 18        |
| 4.2 Local area network integration. Access to Internet..... | 19        |
| 4.2.1 TCP/IP stack structure .....                          | 19        |
| 4.2.2 Address assignment in IP networks .....               | 21        |
| 4.2.3 Bridging of local networks .....                      | 23        |
| 4.2.4 Routing of networks .....                             | 27        |
| <b>5 DESCRIPTION OF THE DEVICE .....</b>                    | <b>33</b> |
| 5.1.1 Background.....                                       | 33        |
| 5.2 Operation mode .....                                    | 34        |
| 5.2.1 G.SHDSL line interface .....                          | 34        |
| 5.2.2 Ethernet 10BaseT interface .....                      | 35        |
| 5.2.3 ATM interface.....                                    | 35        |
| 5.3 Description of LEDs .....                               | 36        |
| <b>6 MECHANIC DESIGN .....</b>                              | <b>37</b> |
| <b>7 EQUIPMENT INSTALLATION .....</b>                       | <b>43</b> |
| <b>8 PROGRAMMING GUIDE.....</b>                             | <b>45</b> |
| 8.1 Introduction .....                                      | 45        |
| 8.2 Main menu of the bridge mode .....                      | 49        |
| 8.2.1 Help command.....                                     | 49        |
| 8.2.2 Home command.....                                     | 49        |
| 8.2.3 Default command.....                                  | 49        |
| 8.2.4 Lan command .....                                     | 50        |

## G.SHDSL-ATM Ethernet

|            |   |           |
|------------|---|-----------|
| 8.2.5      | List command.....                         | 51        |
| 8.2.6      | Manage command .....                      | 51        |
| 8.2.7      | Mode command .....                        | 54        |
| 8.2.8      | Ping command .....                        | 54        |
| 8.2.9      | Quick command .....                       | 55        |
| 8.2.10     | R1483 command.....                        | 56        |
| 8.2.11     | Restart command.....                      | 58        |
| 8.2.12     | Save command .....                        | 59        |
| 8.2.13     | Shdsl command .....                       | 59        |
| 8.2.14     | Show command .....                        | 62        |
| 8.2.15     | Ver command.....                          | 63        |
| <b>8.3</b> | <b>Main menu of the router mode.....</b>  | <b>63</b> |
| 8.3.1      | Default command.....                      | 63        |
| 8.3.2      | Dnsrelay command .....                    | 63        |
| 8.3.3      | 8.3.3 Ipoa command .....                  | 64        |
| 8.3.4      | Lan command .....                         | 66        |
| 8.3.5      | List command.....                         | 67        |
| 8.3.6      | Manage command .....                      | 68        |
| 8.3.7      | Mode command .....                        | 68        |
| 8.3.8      | Pat command.....                          | 68        |
| 8.3.9      | Ping command .....                        | 69        |
| 8.3.10     | Pppoa command.....                        | 69        |
| 8.3.11     | Pppoe command.....                        | 72        |
| 8.3.12     | R1483 command.....                        | 72        |
| 8.3.13     | Quick command .....                       | 74        |
| 8.3.14     | Restart command.....                      | 75        |
| 8.3.15     | Rtable command.....                       | 75        |
| 8.3.16     | Save command .....                        | 76        |
| 8.3.17     | Shdsl command .....                       | 76        |
| 8.3.18     | Show command .....                        | 76        |
| 8.3.19     | Ver command.....                          | 77        |
| <b>9</b>   | <b>FIRMWARE LOADING.....</b>              | <b>78</b> |
| 9.1        | Firmware loading guide.....               | 78        |
| <b>10</b>  | <b>TECHNICAL SPECIFICATIONS .....</b>     | <b>79</b> |
| 10.1       | Interfaces .....                          | 79        |
| 10.1.1     | Monitor interface .....                   | 79        |
| 10.1.2     | Network management interface .....        | 79        |
| 10.1.3     | SHDSL interface .....                     | 79        |
| 10.1.4     | Network interface .....                   | 80        |
| 10.2       | Power supply .....                        | 80        |
| 10.2.1     | Protection against dangerous affects..... | 80        |

## G.SHDSL-ATM Ethernet

|           |  |           |
|-----------|--|-----------|
| 10.2.2    | Surge safety .....                           | 81        |
| 10.3      | 10.3 Climatic conditions .....               | 81        |
| 10.4      | 10.4 Guarantee .....                         | 81        |
| 10.5      | 10.5 Physical dimensions .....               | 82        |
| <b>11</b> | <b>CONNECTORS' DESCRIPTION .....</b>         | <b>83</b> |
| 11.1      | SHDSL connector .....                        | 83        |
| 11.2      | Monitor connector .....                      | 83        |
| 11.3      | Ethernet (10/100BaseT) connector.....        | 84        |
| 11.4      | Power connector (For MDS922AE-10BTS) .....   | 84        |
| <b>12</b> | <b>DESCRIPTION OF INTERFACE CABLES .....</b> | <b>85</b> |
| 12.1      | «Direct» Ethernet cable .....                | 85        |
| 12.2      | Cross-over Ethernet cable .....              | 85        |
| 12.3      | Monitor connector .....                      | 86        |
| <b>13</b> | <b>DELIVERY SET .....</b>                    | <b>87</b> |
| <b>14</b> | <b>GLOSSARY .....</b>                        | <b>88</b> |
| <b>15</b> | <b>EXAMPLE OF NETWORK CONFIGURATION.....</b> | <b>91</b> |
| 15.1      | Router 1 Application .....                   | 92        |
| 15.2      | Router 2 Application .....                   | 95        |

**VERSION CONTROL**

| version | Date          | Major changes to previous version   |
|---------|---------------|---|
| 0.1     | 30. Jul. 2001 | First version   |
| 0.2     | 9. Sept. 2001 | Pre-official version<br>Chapter 4.2 is changed<br>Small changes throughout the text |
| 1.0     | 9. Oct. 2002  | Layout, Small changes throughout the text   |
| 1.1     | 22. Nov. 2003 | Pictures actualized   |
| 1.2     | 09. Feb 2005  | Extended temperature range  |

## 1 INTRODUCTION

MDS921AE-10BTS, MDS920C-10BTS and MDS922AE-10BTS network and line termination units are a part of the Black Box G.SHDSL family (hereafter family) constructed for the organization of high-speed communication channels over one pair copper lines (DSL).

This family of units represents G.SHDSL modems that have 64 – 2312-kbit/s speed of data transfer. The modern type of TC-G.SHDSL encoding has the best characteristics of long-distance data transmission and electromagnetic compatibility while working over one pair subscriber lines. TC-G.SHDSL can be deciphered as Trellis Coded Pulse Amplitude Modulation. The essence of this encoding method consists of an increase of layer numbers (encoding states) from 4 (as in 2B1Q) to 16 and use of a special error-correction mechanism.

This family of modems with different network interfaces (G.703, Nx64 (V.35/V.36/X.21) and Ethernet 10Base-T) can be used as transfer systems between multiplexers, routers and cross-connection devices in different networks, for example:

1. for the organization of E1 (2048 kbit/s) channels between Public automatic branch exchange (PABX), Digital Loop Carrier systems, TDM multiplexing and terminal stations of mobile networks as well as their connection to SDH networks;
2. for the organization of high-speed communication channels (data links) in data transfer networks and connection of Internet-providers' access nodes;
3. for the connection of remote working stations (computers) and small Ethernet branches to the office computer network and for integration of IP and IPX network segments, for providing Internet access, etc.

The Ethernet 10BaseT interface allows an operator to provide services for the interconnection of territorially distributed local networks, to provide high-speed access to Internet and to use MDS921AE-10BTS, MDS920C-10BTS and MDS922AE-10BTS devices in applications that require high speed data transmission.

The use of ATM technology makes it possible to connect MDS921AE-10BTS, MDS920C-10BTS and MDS922AE-10BTS units to DSLAM devices of different manufacturers.

The units of this family, subdivided into network termination (NTU) and line termination units (LTU), can be installed at the customer (user) premises and at the operator (provider) nodes, respectively. NTU–NTU connections (for instance for the connection of two local networks) or LTU–LTU connections (for the connection of large nodes) can be used to organize “point-to-point” connection.

It is possible to power units locally with 48 V<sub>DC</sub> (telephone station batteries) and with 230 V<sub>AC</sub>.

This family of devices has three mechanic designs:

1. Sub-Rack is a unit to be mounted in 19” Rack Shelf (MDS920AE-xxx) shelf;
2. Mini-Rack is a unit of 1U height (44.5 mm) to be mounted in 19” rack cabinet;
3. Stand Alone is a compact unit to be mounted on the tabletop/desktop or another horizontal surface.

The units have all the possibilities for monitoring and management. Different management protocols that are used in the firmware of the family allow one to implement:

*G.SHDSL-ATM Ethernet*

1. local management using a computer, which supports the VT 100 type emulation of the terminal;
2. remote monitoring and configuring over Telnet protocol;
3. remote monitoring and configuring over HTTP protocol;
4. support of the CMU SNMP-agent for remote monitoring and configuring while working as a part of sophisticated networks under Simple Network Management Protocol (SNMP). Only necessary for serial interfaces (G.703, X.21,V.35), Ethernet units like desktop/minirack/rackcard already support SNMP without additional CMU.

The use of Flash-memory chips as read only memory (ROM) facilitates the loading of new firmware versions.



## 2 ORDERING INFORMATION

The units of the Black Box family have the following ordering keys depending on the type of interface and constructive design.

The ordering key: MDS92xxx-yyyyy

- “xxx” field defines the type of the mechanic design in accordance with the table:

| “xxx” field | Type of Design  |
|-------------|---|
| 0C          | Sub-Rack – a unit to be mounted in 19” Rack Shelf (MDS920AE-xxxx) shelf |
| 1AE         | Stand Alone – a compact tabletop unit                                   |
| 2AE         | Mini-Rack – a unit of 1U height (44.5 mm) to be mounted in 19” rack     |

- “yyyy” field defines the type of network interface:

| “yyyy” field | Type of Network Interface  |
|--------------|--|
| 10BTS        | 4 interfaces (Ethernet 10/100Base-T), RJ-45 connector  |
| V35X21       | E1 (G.703/G.704) interface, one twisted pair, 120 ohm, RJ-45 connector<br>+ V.35/V.36/X.21 interface |
| E1           | E1 (G.703/G.704) interface, one twisted pair, 120 ohm, RJ-45 connector                               |

### Example:

MDS921AE-10BTS is a Black Box unit, 1\*G.SHDSL, Stand Alone, local, 4\*Ethernet network interface, “bridge/router”.



### **3 SPECIFICATIONS**

- High-speed symmetric data transfer over a 135-ohm physical twisted copper pair according to G.SHDSL ITU G.991.2;
- TC-G.SHDSL line encoding;
- line speed from 72 kbit/s to 2320 kbit/s;
- automatic and manual line speed adjusting;
- Ethernet 10Base T interface;
- bridge and router function;
- built-in 4-port Switch with auto negotiation, auto MDIX;
- AAL5 for ATM over SHDSL;
- function of traffic priorities;
- DNS support;
- built-in DHCP server;
- NAT support;
- static and dynamic routing, RIP;
- built-in function of diagnostics and self-testing;
- low power consumption;
- console port for local management;
- TELNET and HTTP management;
- built-in SNMP agent;
- possibility of remote firmware loading through TFTP protocol;
- different types of mechanic design.

## 4 TECHNOLOGIES

### 4.1 xDSL technology, background

xDSL technology appeared due to the growing user's demand to high-speed digital stream transfer over telephone copper pairs. Operators had to organize the interconnection of backbone stations of cellular networks, Digital Loop Carrier systems, interstation connection and to provide high-speed Internet access at minimal expenses. In these circumstances, it was reasonable to use the existing telephone cables. The new technology acquired the name – xDSL (Digital Subscriber Line).

#### “x” key

x is a variable in the DSL technology, where every word has its own meaning. Thus the term “Digital” means, that not an analogue but digital signal, that was processed by one of line encoding methods, is transmitted over pairs. In fact, the term xDSL points at this or that line code the distance of data transfer and maximal connection speed depend on it. However, some technologies, for example ADSL, can use one of the two line codes: either Discrete Multi-Tone (DMT) or Carrierless Amplitude/Phase (CAP).

The term “Subscriber Line” is referred to physical copper pairs of telephone cable, or in simple words, to “direct wires”. The term DSL was originally referred to the ISDN technology, but later was borrowed by the developers of xDSL technologies.

#### 4.1.1 Asymmetric DSL (ADSL) technology

The most popular DSL technology, ADSL, was developed in Bellcore laboratory in late 1980s. Standards Institutes assigned the use of carrier set modulation, which acquired the name DMT, to ADSL, while another leading method received the name of Rate-Adaptive DSL (RADSL). ADSL transmits downstream to the end user and upstream to the net. The ADSL technology does not use 25–30-kHz frequencies, used for a subscriber's access to public switched telephone network (PSTN). This provides simultaneous subscriber's access to data transfer networks and PSTN over the same copper pair. The original ADSL implies the presence of splitters both on LTU and NTU. However, ADSL without splitters found its use and acquired the name of ADSL Lite or G.lite. Later, it was standardized by ITU-T. This standard supports downstream speeds up to 1.5 Mbit/s and upstream speeds up to 512 kbit/s.

##### 4.1.1.1 ADSL in brief

#### **Standard**

- G.lite G.992.1 (G.DMT)
- T1 413-1998
- interoperability between equipment of different manufacturers

## G.SHDSL-ATM Ethernet

### **Transmission rate**

- Downstream
- up to 6–8 Mbit/s
- up to 1.5 Mbit/s for G.lite
- Upstream
- up to 640 kbit/s
- up to 512 kbit/s for G.lite

### **Line code**

- DMT
- CAP

### **Number of pairs**

- one pair

### **Usage**

- public network operators (PNO) and Internet service providers

### **Restrictions**

- Asymmetry

## **4.1.2 ISDN DSL technology**

The IDSL technology is based on the ISDN technology, but without switching. IDSL uses 2B1Q line encoding and has two B and one D channel capacity, which allows to transmit data bidirectionally at 144 kbit/s. The necessity to transmit simultaneously voice and data served as a powerful spur to the further development of IDSL. Thus, the channel capacity is divided between voice unit and digital interface. NTU-128 Voice is an example of a device implementing this mode,.

### **4.1.2.1 IDSL in brief**

#### **Standard**

- T1.601
- interoperability between equipment of different manufacturers at the U interface layer

### *G.SHDSL-ATM Ethernet*

#### **Transmission rate**

- up to 144 kbit/s
- up to 64 kbit/s + voice channel in NTU-128 Voice

#### **Line code**

- 2B1Q

#### **Transmission medium**

- one pair
- possibility of the regenerator's installation

#### **Usage**

- PNOs and providers of Internet services
- commercial operators
- integration of LANs

#### **Restrictions**

- low speed
- impossibility of transmission rate adjusting

### **4.1.3 High bit rate DSL (HDSL) technology**

The HDSL technology allows to transmit synchronous digital data at 1.54- or 2.048-Mbit/s speed over two copper pairs. This standard was accepted by European Telecommunication Standards Institute. 2B1Q or CAP 64 are used as line codes. The data transmission rate over each pair is 1168 kbit/s, the decrease of linear rate is not provided. The 2B1Q encoding HDSL technology allows to connect up to 3 remotely powered regenerators.

#### **4.1.3.1 HDSL in brief**

##### **Standard**

- ETSI TS 101 135
- interoperability between equipment of different manufacturers is not provided

## G.SHDSL-ATM Ethernet

### Transmission rate

- 1168 kbit/s over each pair (2 Mbps over two pairs)

### Line code

- 2B1Q
- CAP 64

### Transmission medium

- two pairs
- possibility of the regenerator's installation (up to 3)

### Usage

- PNOs
- long-haul E1 transmission
- organization of trunk lines between PABX
- increase of capacity of subscribers' lines with the help of Digital Loop Carrier systems
- high-speed access to SDH networks

### Restrictions

- two pairs are used for stream transmission
- impossibility to regulate transmission rates
- increased influence on analog systems with frequency division multiplexing/demultiplexing

#### 4.1.4 XTRANS technology

xDSL solutions are widely used for the organization of interstation trunk lines, creation of routes for multiplexers and routers. But the wide spread of analog systems with frequency division multiplexing/demultiplexing of the K-60, K-24, K-12 types makes it difficult to use standard xDSL solutions over backbone (trunk lines) and zone cables of the different types with the wire diameter of 0.9–1.2, if one of the analog systems works over cables. To digitalize local and zone lines, they engineered the XTRANS technology based on asymmetric adaptive multimode CAP modulation with a regulated level. This technology allows to transmit synchronous digital stream with a changeable line speed from 144 to 2064 kbit/s over two copper pairs. The technology stipulates the installation of up to 6 remotely powered regenerators. The number of regenerators can be doubled if they are remotely powered from two-manned repeater station, where power source is available.

## G.SHDSL-ATM Ethernet

### 4.1.4.1 XTRANS in brief

#### Standard

- Patent № 2001104235/20(004956) of the Federal Institute of Industrial Property
- interoperability with the equipment of other manufacturers is not provided

#### Transmission rate

- 144–2064 kbit/s

#### Line code

- CAP-XTRANS

#### Transmission medium

- two pairs
- possibility of the regenerator's installation (up to 6)

#### Usage

- PNOs, Competitive Local Exchange Carriers (CLECs)
- creation of long-haul digital routes with many regenerating segments
- organization of trunk lines between PABX
- increase of capacity of subscribers' lines with the help of Digital Loop Carrier systems
- high-speed access to SDH networks

#### Restrictions

- two pairs are used for full stream transmission

### 4.1.5 Multispeed DSL (MDSL) technology

The term SDSL was used for several years on the market. It was referred to all solutions meant for the synchronous digital stream transmission over one pair. This technology supports the possibility of line speed regulation over long-haul distances. The technology is implemented in MDSL and MSDSL, the latter one having a different line code. The MDSL technology uses 2B1Q line code. The transmission rate varies from 144 to 2320 kbit/s. Regenerators are not used here.



## G.SHDSL-ATM Ethernet

### 4.1.5.1 MDSL in brief

#### Standard

- ETSI TS 101 135
- interoperability between equipment of different manufacturers at the level of DSL chips

#### Transmission rate

- 144–2320 kbit/s

#### Line code

- 2B1Q

#### Transmission medium

- one pair
- impossibility of the regenerator's installation

#### Usage

- Internet service providers
- access to Internet
- integration of LANs

#### Restrictions

- the shortest distance of data transfer over one wire compared to other technologies

### 4.1.6 Multispeed DSL (MSDSL) technology

The MSDSL technology is a further development of the MDSL technology. It allows to run over longer distances because of using a more progressive line code – CAP. In addition, it is possible to install a CAP-splitter, which allows to use the copper pair for both data transfer and telephone connection. The technology supports the installation of a line regenerator. However, the spectral characteristics of the CAP code interfere with other xDSL systems, running over the neighboring pairs in the same cable. The ADSL technology is exposed to the greatest influence.

#### 4.1.6.1 MSDSL, in brief

#### Standard

### *G.SHDSL-ATM Ethernet*

- ETSI TS 101 135
- interoperability between equipment of different manufacturers is not provided

### **Transmission rate**

- 144–2064 kbit/s

### **Straight-line code**

- CAP8...CAP128

### **4.1.6.2 Transmission medium**

- one pair
- one regenerator

### **Usage**

- PNOs, Internet service providers
- access to Internet
- integration of LANs
- creation of trunk lines between PABX
- increase of capacity of subscribers' lines with the help of Digital Loop Carrier systems
- high-speed access to SDH networks

### **Restrictions**

- absence of compatibility with the equipment of other manufacturers
- interference with other xDSL services

### **4.1.7 G.SHDSL technology**

The G.SHDSL technology was engineered as a universal technology of synchronous digital data transmission. It became an international standard for symmetric systems. The technology supports the transmission over one and two pairs. Special stress, while developing the technology, was laid to provide spectral compatibility with other technologies such as ADSL, IDSL, MDSL, MSDSL.

## G.SHDSL-ATM Ethernet

### 4.1.7.1 G.SHDSL, in brief

#### Standard

- ITU-T G.991.2
- compatibility with the equipment of other manufacturers

#### Transmission rate

- 192–2360 kbit/s

#### Line code

- TC-G.SHDSL

#### Transmission medium

- one or two pairs
- possible installation of up to three regenerators

#### Usage

- PNOs, Internet service providers
- access to Internet
- integration of LANs
- creation of trunk lines between PABX
- increase of subscribers' lines with the help of Digital Loop Carrier systems
- high-speed access to SDH networks

## 4.2 Local area network integration. Access to Internet

Local area networks facilitate documentation-processing, access to data in modern companies but the Ethernet technology does not allow to transfer data at long distances and create Wide Area Networks (WANs). xDSL can be used for the solution of this problem.

### 4.2.1 TCP/IP stack structure

TCP/IP became widely practiced with the development of the Internet all over the world. It was engineered earlier than the OSI model, and that is why differs greatly.

Fig.1 shows the TCP/IP structure.

TCP/IP protocols are composed of 4 layers:



## Layer I

Layer I is called the application layer. It contains a great number of application layer protocols and services. Such widely used protocols as File Transfer Protocol (FTP), Telnet terminal emulation protocol, Simple Network-Management Protocol (SNMP) (used in the e-mail), WWW protocols and many others belong to this layer.

### 4.2.2 Address assignment in IP networks

Any IP-network device is characterized by the addresses of three groups:

*Physical address.* It is a hexadecimal MAC address of the network adapter or port. The MAC address is unique and is 6-byte long: the first 3 bytes are the manufacturer's identifier and the other 3 bytes are uniquely assigned by the manufacturer itself. For example, 18-B7-34-39-AA-FC.

*Network address (IP address).* It is assigned during the configuring of network devices by the administrator and does not depend on the physical address. The address has a decimal representation and its length is 4 bytes. It consists of two parts: network number and node number. Depending on the class of the network, different quantity of bytes is assigned to the network number.

*Symbol address (DNS name),* for example, www.Black-Box.ch. It consists of several parts, for example, the computer, organization, domain name. This address is used at the application layer.

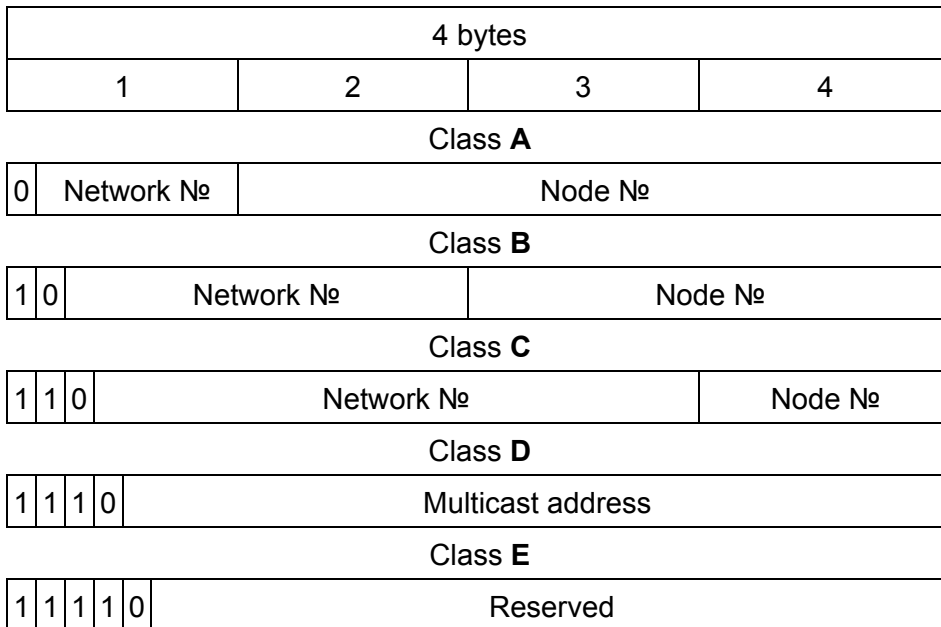
### IP address classes

The network address consists of two logical parts: network and node number. The values of the first address bits mean what part of the address refers to the network number and what to the node number:

- *Class A networks.* The network number takes one byte, the other three show the node number in the network. Class A networks can only have numbers in the 1.0.0.0–126.0.0.0 range. Networks with number are not used, and number 127 is reserved. The node count must be more than 126 but less than 224. The first bit of the network address of Class A must start with 0.
- *Class B networks.* The network and node numbers take two bytes each. Class B networks can have numbers in the 128.0.0.0–191.255.0.0 range. The node count must be more than 28 but less than 216. The network address of Class B must have the first two bits equal to 10.
- *Class C networks.* The network number takes three bytes. Class C networks can have numbers in the 192.0.1.0–223.255.225.0 range. The node count must no be more than 28. The network address of Class C must have the first three bits equal to 110.
- *Class D networks.* The networks of this class have a special multicast address. Class D networks can have numbers in the 224.0.0.0–239.255.225.225 range. A packet with an address that belongs to Class D network will be received by all nodes that have this address. The network address of Class D must begin with a sequence of 1110.
- *Class E networks.* The networks of this class are not used and they are reserved for

G.SHDSL-ATM Ethernet

future (experimental) usage. Class E networks can have numbers in the 240.0.1.0–247.255.225.225 range. The network address of Class E must begin with a sequence of 11110.



**Masks**

Network mask is a number, consisting of four bytes. It is a decimal number divided by dots, and it is used together with the IP address. A mask usually contains decimal numbers – 255. The use of masks allows to provide users with narrow address ranges compared to networks of different classes. The least dedicated range without masks is Class C network, i.e. 256 addresses. Using masks, the entry 192.168.1.253 mask 255.255.255.252 defines the address 192.168.1.253 in the subnet of four-address range: from 192.168.1.252 to 192.168.1.255.

**4.2.2.1 Automatic assignment of IP addresses**

The administrator can assign IP addresses to network devices either manually or automatically. If there are many devices in the network, the address assignment is a long and painstaking process. Dynamic Host Configuration Protocol (DHCP) was developed to facilitate this process. The primary task of DHCP is dynamic IP address assignment. However, besides dynamic, DHCP can support simpler means of manual and automatic statistic address assignment.

The administrator takes active part during the manual procedure of address assignment. He presents information about correspondence of IP addresses to MAC addresses or other customer’s identifiers to DHCP server.

During the automatic-static address assignment, the DHCP server assigns a free IP address from the IP address range without reference to the administrator. The boundaries of the address range are given by the administrator during the DHCP-server configuration. In this case, the IP address remains the same all the time.

### G.SHDSL-ATM Ethernet

During the dynamic address assignment, the DHCP server assigns an address to the customer for a limited period of time. It means that later the IP address can be reused by other computers.

The dynamic address assignment allows one to create IP networks in which the number of nodes exceeds the number of the IP addresses administrator has.

#### 4.2.3 Bridging of local networks

Bridges are the simplest devices for logical network structuring. They divide the transmission network medium into segments (logical segments), forwarding data from one segment to another, if such a transmission is necessary, i.e. if the destination address belongs to another subnet.

Bridges are data communication devices that operate at the data link layer of the OSI reference model. They use addresses of computers and other devices. Bridges control data flow, handles transmission errors, provides physical (as opposed to logical) addressing and manage access to the physical medium. Bridges provide these functions by using various link-layer protocols that dictate specific flow control, error handling, addressing and medium-access algorithms.

The primary advantage of bridging is the upper-layer protocol transparency. Because bridges operate at the data link layer, they are not required to examine upper layer information. It means that that they can rapidly forward traffic representing any network layer protocol.

By dividing large networks into self-contained units, bridges provide a range of additional advantages. First, because only a certain percent of traffic is forwarded, bridges diminish traffic passing through devices of all connected segments. Second, bridges act as a firewall for some potentially damaging network errors. Third, bridges allow communication between a larger number of devices than any single LAN connected to the bridge would support. Fourth, bridges extend the effective LAN length, permitting the attachment of distant stations.

#### Types of bridges

Bridges can be either local or remote. Local bridges provide a direct connection of subnet segments in the same area. Remote bridges connect subnet segments in different areas, usually over telecommunication lines. The MDS92xxx-10BTS device belongs to remote bridges.

Remote bridging represents several unique internetworking challenges. One of them is the difference between LAN and WAN speeds. Vastly different LAN and WAN speeds sometimes prevent users from running delay-sensitive network applications over the WAN.

Remote bridges cannot increase WAN speeds, but they can compensate for the speed discrepancies by using buffering capacities. If a LAN device capable of a 10-Mbit/s transmission rate intends to communicate with another remote LAN device, the local bridge must regulate the 10-Mbit/s information flow in order not to overwhelm the 2-Mbit/s serial link. It is done by storing the incoming data in buffers and transmitting it over a serial link. This can be achieved only for short bursts of data that do not overwhelm the bridge's buffering capacity.

The MDS92xxx-10BTS device implements "transparent bridge" and "spanning tree"

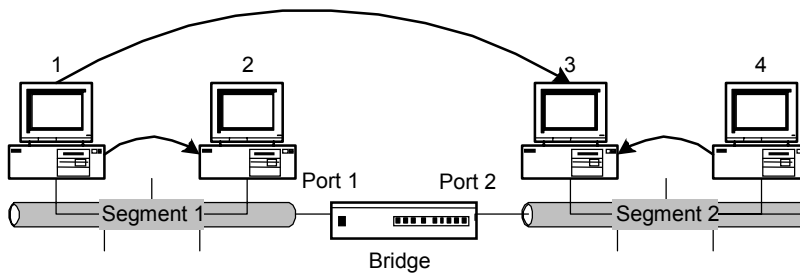
G.SHDSL-ATM Ethernet

algorithms.

The “transparent bridge” is called so because its presence and operation is transparent to all network hosts.

A bridge builds its own address table while passively monitoring the traffic. At this stage it extracts the information about source addresses of data frames. The source address shows that it belongs to a certain node of this or that network segment. Fig. 2 shows the creation of an address table of a simple network consisting of two segments.

Fig.2 Simple network



| MAC address | Port |
|-------------|------|
| 1           | 1    |
| 2           | 1    |
| 3           | 2    |
| 4           | 2    |

Each port work as an end node of the network segment. Originally, the bridge does not know what nodes with what MAC addresses are connected to each of its port. That is why it sends any received frame to all ports excluding the port from which the frame was received. Simultaneously the bridge studies the source address of the frame and fills its table: what port (of a MAC address) belongs to this or that segment.

Later, the bridge uses its table to forward the traffic. When one of the bridge interfaces receives the information unit, the bridge seeks for the destination address in its internal table. If the table contains an association between the destination address and any of the ports of this bridge, excluding the one the information unit was received on, then the unit is forwarded from the indicated port. If such an association is not established, the information is flooded to all ports, except the inbound port. Broadcast and multicast-address messages are also flooded as in the previous case.

Transparent bridges isolate in-segment traffic, thus reducing the traffic clearly seen in each individual segment. This improves the response time of the network, seen by the user. The extent of the traffic shortening and response-time improvement depends on the volume of intersegment traffic relative to total traffic as well as the volume of the broadcast and multicast traffic.

One of the drawbacks that interferes with the “transparent bridge” algorithm is the presence of network “loops”. It is shown in Fig.3:



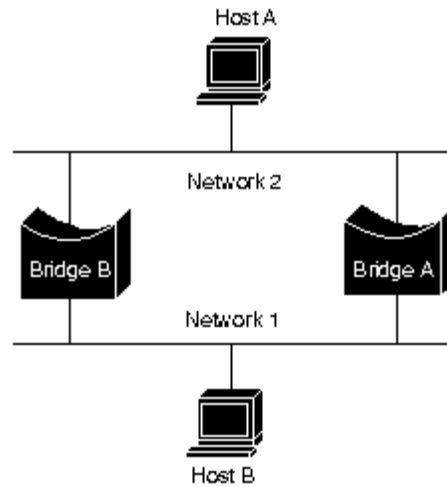


Fig.3 Network with loops

Suppose that host A sends an information unit to host B. Both bridges receive this information unit and conclude that host A belongs to network 2. Unfortunately, after host B receives two copies of the information unit from host A, both bridges again receive the same information unit onto their interfaces with network 1, because all hosts receive all messages of broadcast LANs. In some cases bridges change their internal tables to indicate that host A is on network 1. When host B replies to the information unit of host A, both bridges will receive and then ignore these replies, since their tables will indicate that this destination address (host A) is on the same network segment as the information unit source.

Another disadvantage is cloning (proliferation) of broadcast messages in networks with loops. Assume that the initial information unit of host A is a broadcast. Both bridges will forward this information unit endlessly, using the available network bandwidth and blocking the transmission of other packets on both segments.

To solve the above described problems there was engineered the spanning tree algorithm (STA). It preserves the benefits of loops, eliminating their drawbacks. The algorithm was published in the IEEE 802.1d specification.

The STA designates a loop-free subset of the network's topology by placing those bridge ports that, if active, would create loops into a standby (blocking) mode. Blocking bridge ports can be activated in the event of primary link failure, providing a new path through the internetwork. Figs 4 and 5 illustrate how the STA eliminates loops.

## G.SHDSL-ATM Ethernet

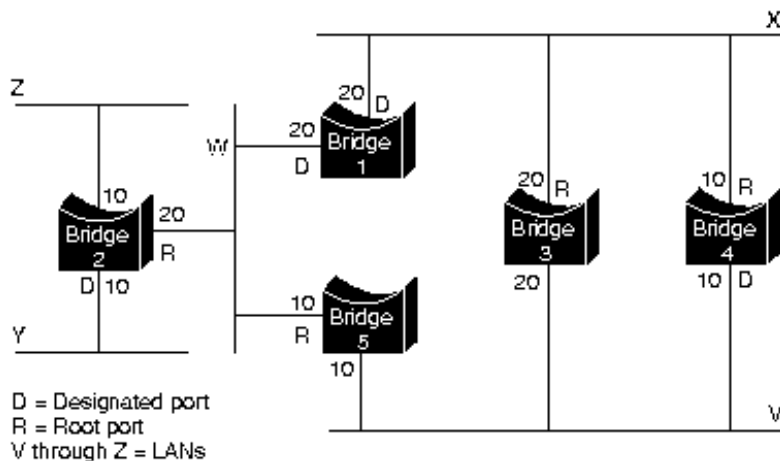


Fig. 4 Network before running STA

The STA calls for each bridge to be assigned a unique identifier. Typically, this identifier is one of the bridge's Media Access Control (MAC) addresses plus a priority. Each port in every bridge is also assigned a unique (within that bridge) identifier (typically, its own MAC address). Finally, each bridge port is associated with a path cost. The path cost represents the cost of transmitting a unit onto a LAN through that port. In Fig. 4, path costs are noted on the lines emanating from each bridge. Path costs are usually defaulted, but can be assigned manually by network administrators.

The first step in spanning-tree calculation is the selection of the *root bridge*, which is the bridge with the lowest value bridge identifier. In Fig. 4, the root bridge is Bridge 1. Next, the *root port* on all other bridges is determined. A bridge root port is the port through which the root bridge can be reached with the least aggregate path cost. This value (i.e. the least aggregate path cost to the root) is called the *root path cost*.

Finally, *designated bridges* and their *designated ports* are determined. A designated bridge is the bridge on each LAN that provides the minimum root path cost. A LAN's designated bridge is the only bridge allowed to forward information units to and from the LAN for which it is the designated bridge. A LAN's designated port is the port that connects it to the designated bridge.

In some cases, two or more bridges can have the same root path cost. For example, in Fig. 4, both Bridges 4 and 5 can reach Bridge 1 (the root bridge) with a path cost of 10. In this case, the bridge identifiers are used again, this time to determine the designated bridges. The priority is given to LAN V of Bridge 4 over LAN V port of Bridge 5.

Using this process, all but one of the bridges directly connected to each LAN are eliminated, thereby removing all loops between two LANs. The STA also eliminates loops involving more than two LANs, while still preserving connectivity. Fig. 5 "Network after running STA" shows the results of implementing the STA to the network shown in Fig. 4. Comparison of these two figures illustrates that the STA placed Bridge 3 and Bridge 5 ports to LAN V into the standby mode.

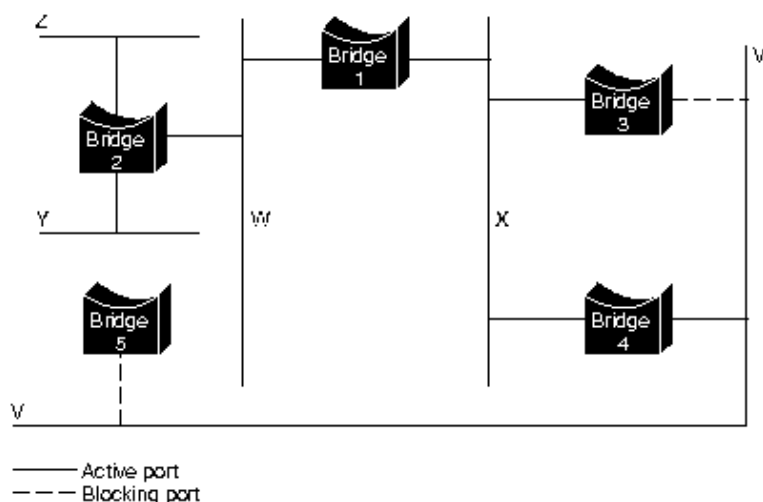


Fig. 5: Network after running STA

The spanning-tree calculation occurs when the bridge is powered up and whenever a topology change is detected. The calculation requires communication between the spanning-tree bridges, which is implemented through configuration messages. Configuration messages contain information identifying the bridge that is assumed to be the root (root identifier) and the distance from the sending bridge to the root bridge (root path cost) and also the bridge and port identifier of the sending bridge and the age of information contained in the configuration message.

Bridges exchange configuration messages at regular intervals (typically 1–4 s). If a bridge fails (causing a topology change), neighboring bridges will soon detect the lack of configuration messages and initiate a spanning-tree recalculation.

The MDS92xxx-10BTS device implements both transparent bridge and spanning tree algorithms.

#### 4.2.4 Routing of networks

The word “routing” means forwarding information through an internetwork from source to destination. At least one node must be passed when transmitting data. Routing is often contrasted with bridging. The main difference between bridging and routing consists in the fact that bridging occurs at the data link layer of the OSI reference model, while routing occurs at the network layer. It means that routing and bridging use different information while moving it from source to destination. It results in different way of implementing their tasks.

##### 4.2.4.1 Routing components

Routing consists of two basic activities: determination of optimal routing paths between source and destination and data transmission through network. The latter is called switching.

## G.SHDSL-ATM Ethernet

### Optimal path determination

The determination of the optimal path is based on different standards of measurement, for example, path length, and metric. Routing algorithms calculate path indexes to determine the optimal path to destination.

To facilitate the process of path determination, routing algorithms initialize and maintain routing tables, which contain the routing information. This information changes depending on the routing algorithm used.

Routing algorithms fill in routing tables with different information. “Destination/next hop” combinations tell a router that a destination can be reached through the shortest path by sending a packet to a particular router representing the “next hop” on the way to the final destination. When the router receives an incoming packet, it checks the destination address and makes an attempt to associate this address with a next hop. An example of a routing table is shown below.

| Destination address | Next hop |
|---------------------|----------|
| 27                  | Router A |
| 57                  | Router B |
| 17                  | Router C |
| 24                  | Router A |
| 52                  | Router A |
| 16                  | Router B |
| 26                  | Router A |

Routing table also contain other information. “Metrics” represent information about the desirability of a path or a route. Routers compare metrics to determine the optimal routes. Metrics differ depending on the routing algorithms being used. A variety of common metrics will be described below in this chapter.

Routers communicate with each other (and maintain their routing tables) by transmitting various messages. One of these messages is the “routing update”. The routing update usually includes all or a part of a routing table. By analyzing routing update information from all routers, any router can build a detailed picture of network topology. Another example of a message exchange between routers is a “link-state advertisement”. Link state advertisements inform other routers about sender’s link-states. Link information also can be used to build a full picture of network topology. After the network topology is determined, routers can determine optimal paths to destinations.

### Switching

Switching algorithms are relatively simple and are basically the same for most routing protocols. In most cases, a host determines the necessity of sending a packet to another host. Having received a router’s address, the source host sends a packet addressed

G.SHDSL-ATM Ethernet

specially to a router's physical (MAC layer) address, however, the packet contains (network-layer) protocol address of the destination host.

After checking the packet's destination protocol address, the router determines whether the destination address is in the routing table. If the router did not find the address in the routing table, it typically drops the packet. If the router knows where to forward the packet, it changes the destination physical address to that of the next hop and transmits the packet.

During the packet transmission through an internetwork, its physical address changes, however, the address of the network-layer protocol remains unchanged. Fig. 6 illustrates this process.

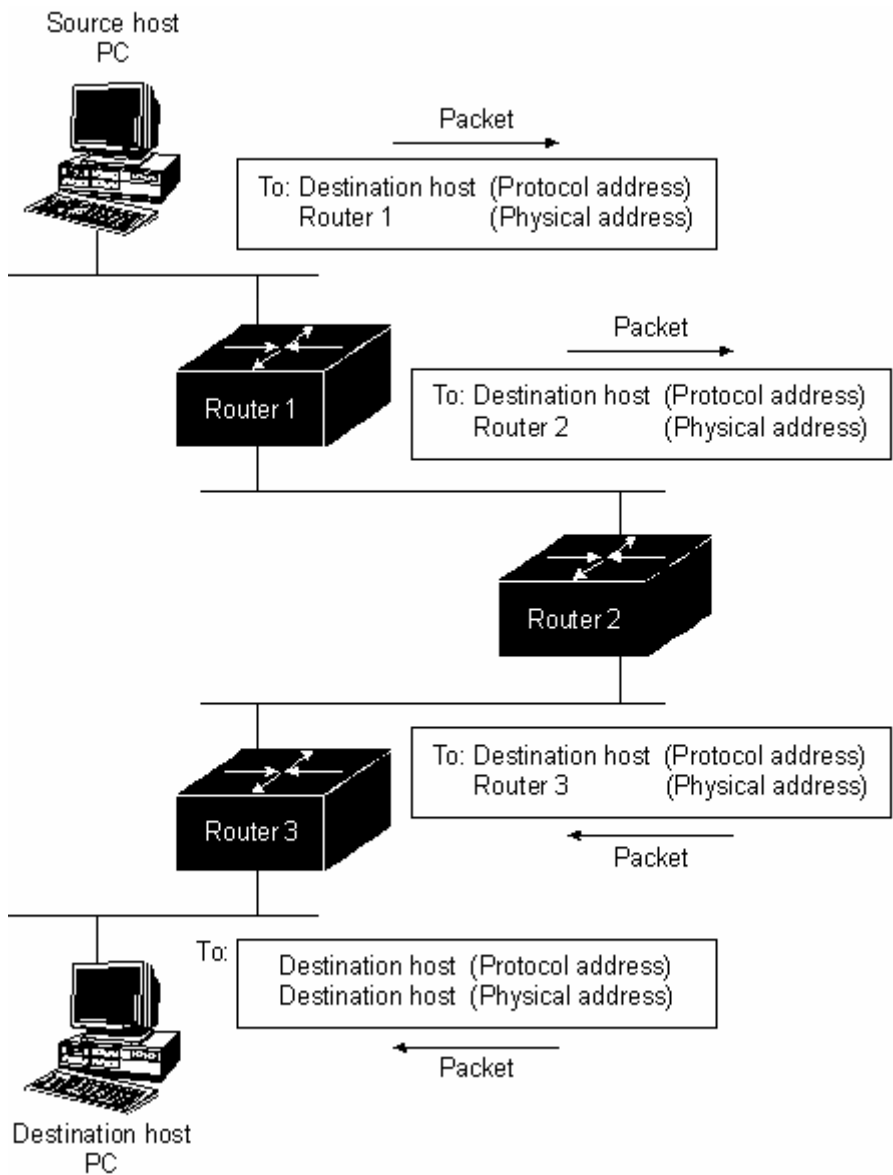


Fig. 6 Change of packet addresses

## G.SHDSL-ATM Ethernet

### 4.2.4.2 Routing algorithms, RIP

The rate of information processing and its trustworthiness depend on the routing algorithm. But more complicated and high-speed algorithms imply high requirements to the router's capacity.

Static routing algorithms are the simplest ones. The network administrator establishes routing tables, and they do not change until the network administrator changes them. Algorithms of static routers are simple to design and they work well in simple networks with low traffic.

Dynamic routing algorithms are more complicated ones. They adjust in real time to network changes. They do this by analyzing incoming routing update messages. If the router receives a message about a network change, it makes updates it's routing table and sends out this information to all the nodes.

The Routing Information Protocol (RIP), implemented in MDS92xxx-10BTS modems is a dynamic routing protocol.

RIP routing tables contain information about packet destination, next hop, and hop counts (metrics). The routing table can also contain other information such as timers.

| <i>Destination</i> | <i>Next hop</i> | <i>Distance</i> | <i>Timers</i> | <i>Flags</i> |
|--------------------|-----------------|-----------------|---------------|--------------|
| Network A          | Router 1        | 3               | t1, t2, t3    | x,y          |
| Network B          | Router 2        | 5               | t1, t2, t3    | x,y          |
| Network C          | Router 1        | 2               | t1, t2, t3    | x,y          |

RIP supports only optimal routes to destinations. If new information provides a better route, this information updates the old one. Changes in the network topology can cause changes in the routes, resulting, for example, in creation of better routes to a definite destination. If the network topology changes, these changes are reflected in updating messages. For example, when a router find a failure of one of the links or another router, it recalculates its own routes and sends out routing updates. Each router that receives routing update messages, includes changes to its tables and sends them out.

### 4.2.4.3 Internet Access through LANs, NAT

The Network Address Translation technology allows one to solve to main problems the Internet faces now. This is a restriction of the address space of IP and routing scaling.

If necessary to get an Internet access, when the number of network nodes connected to the Internet provider is bigger that the number of IP addresses, NAT allows private IP networks, using unregistered addresses, to get an access to Internet resources. NAT functions are configured on a border router, dividing Intranet and Internet networks.

If necessary to change internal address system, instead of a complete change of all the addresses (and this is quite a pain-taking process), NAT allows to translate them according to the new address plan.

If there is a necessity to divide traffic on the basis of TCP ports, NAT makes it possible to

### G.SHDSL-ATM Ethernet

map local addresses with one external address using TCP load distribution function.

## **NAT functioning**

The NAT technology defines, as it is stated in the RFC 1631 standard, the ways of IP address translation, used in one network into another network addresses.

There exists three basic principles of address translation: static, dynamic and masquerading.

### **Static Network Address Translation**

With the help of this concept, NAT can organize translation between the same class networks. (For example, when each of two networks contain one address (mask – 255.255.255.255). This strategy is the simplest, because the translation can be described by a couple of simple logical transformations.

Let us cite an example of address translation from two Class C networks – 194.24.90 and 195.60.3. While passing through NAT to the sender's address field, the packet, addressed from the host 194.24.90.13 will contain a change in the IP header from 194.24.90.13 to 195.60.3.13.

### **Dynamic Address Translation**

Dynamic translation is necessary when the number of addresses (internal and external) being translated is different, however, dynamic translation is sometimes used when static translation does not work. The number of intercommunicating hosts will be limited, in any case, by the number of free (available) addresses on the NAT interface.

Dynamic NAT is more complicated, because it requires to keep track of intercommunicating hosts and possibly even of connections, in case when the information (content) must be modified at Layer 4 (TCP, for example).

For example it is necessary to translate dynamically all IP addresses in Class B network 138.201 into addresses of Class C network 190.200.112. Then, each new connection receives an address from Class C network if there are available addresses there.

This technology, in contrast with static translation, introduces a new notion – NAT table. It is a rendition table of internal addresses and NAT-interface addresses (hereinafter, NAT addresses)

### **Masquerading (NAPT, PAT)**

The Port Address Translation is another case of dynamic translation. Here, we have only one external address behind which, internal addresses "are hidden" – there can be as many internal addresses as possible. In contrast to the original dynamic translation, PAT does not mean that there can be only one connection at a time. To multiplex the number of connections, TCP port information is used by this masquerading. Thus, number of simultaneous connections is limited only by the number of ports available.

Let us illustrate PAT functioning:

### G.SHDSL-ATM Ethernet

There is an internal network 191.167.0 and a router with a MAC address 193.200.150.5. A host from the internal network with an address 191.167.0.10 and TCP source port 1243 addresses web-server 205.131.1.1. While passing through the NAT interface, the outgoing packet will have the following changes: in the IP header, the source address is changed and the source port in the TCP header is changed from 1243 into, for example, 62300. The following change is then recorded in the Nat table:

| <i>Internal IP</i> | <i>Port local</i> | <i>NAT port</i> |
|--------------------|-------------------|-----------------|
| 191.167.0.10       | 1243              | 61300           |

Thus, when the web-server's reply is received, the Nat table will be updated and the packet addressed to port 61300, will be corrected: the internal address will be then in the IP header, and in the TCP header – port 1243, now acting as a destination port.

Incoming connections are impossible with masquerading, since even when a host has an entry in the masquerading table of the NAT device this entry is only valid for the connection being active.



## 5 DESCRIPTION OF THE DEVICE

### 5.1.1 Background

MDS92xxx-10BTS is a device of Digital Subscriber Line (DSL) system used for data transmission over symmetrical physical copper lines. The TC-G.SHDSL line encoding technology (G.SHDSL standard), which was accepted by ITU as the only world standard of high-speed symmetrical data transmission over one pair, is used to transmit data over a twisted pair. The device consists of the following:

- CPU with a firmware;
- memory unit;
- signal processor;
- power supply unit (DC/DC converter);
- Ethernet 10BaseT network interface;
- management interface;
- line interface.

Fig. 15 shows a structural schematic of the device.

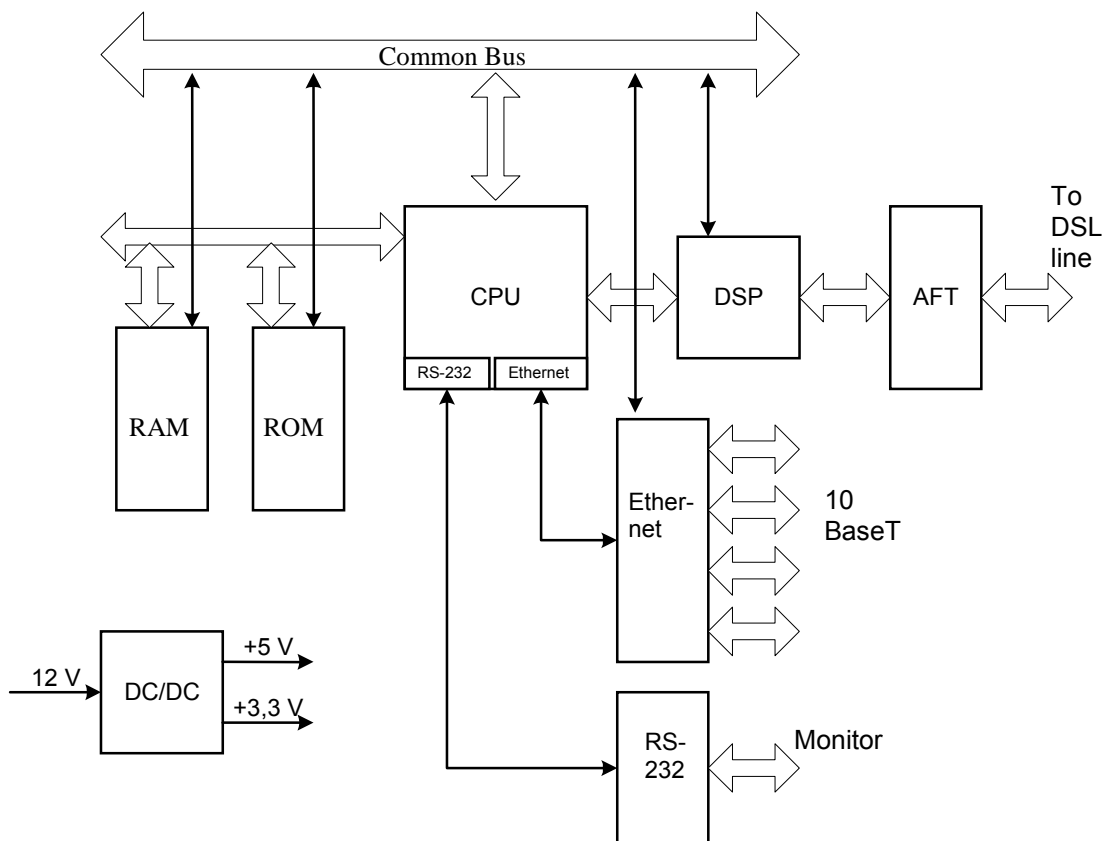


Fig. 15 Structural schematic of MDS92xxx-10BTS

## G.SHDSL-ATM Ethernet

The CPU enables control of all device's functioning units in accordance with the firmware and the parameters configured. The CPU supports the Ethernet and RS-232 interfaces.

The memory unit keeps the control micro program, temporary values and buffers Ethernet packets.

The setup of the parameters, mode switching and system control are enabled through the management interface with the help of VT-100-type terminal or over Telnet and HTTP protocols through Ethernet. The firmware loading can be implemented through the Ethernet interface as well.

The signal processor enables translation of data flow before it is transmitted over a line. The signal processor also enables:

- structure generation of the SHDSL cycle (word synchronization, bits, etc.) and its filling with data:
- synchronization flattening between the internal bus of the device and transmission on the line (i.e. management of the stuffing algorithm).

The signal processor also controls the process of communication on lines and digital processing of the incoming signal.

The line interface includes a scheme with integrated into it Digital-to-Analog and Analog-to-Digital Converters, input and output amplifiers with a programmed amplification and analog filters that are used to convert digital data into a signal and visa versa.

The device is powered from an in-built 3.3-V or 5-V AC-DC/DC adapter. The input voltage of the secondary power supply source is 38...72.0 V or 200+/-10% V<sub>AC</sub>.

The network interface unit converts the data signal layers of the device, connected to network interface and data preprocessing in accordance with the configured operation mode of the network interface before the data is transmitted onto the chip.

## 5.2 Operation mode

This part contains the description of different operation modes of the device.

The operation mode can be changed locally from the control computer connected to the device management interface or remotely over Telnet/HTTP protocols.

### 5.2.1 G.SHDSL line interface

#### “Master/Slave” mode

To start up a link between two devices, one system must be configured as master and the other as slave. Moreover, the link start-up is controlled by the COE (Central Office Equipment) unit. It is impossible to start up a link in the COE-COE or CPE-CPE configuration. The devices are delivered in the CPE (Customer Premises Equipment) mode (default setting).

## G.SHDSL-ATM Ethernet

### Connection at a fixed speed (Fixed Mode)

The devices can communicate at a fixed speed. The line speed adaptation to the line parameters will not take place, i.e. the communication will be at a fixed speed even if the line allows higher speeds.

COE is configured for fixed speeds, while CPE is configured for adaptive mode.

### Connection with an automatic speed regulation (Adaptive mode)

To simplify the setup, the devices can automatically adjust the line rate, they adapt to the line quality. The lack of lost packets during the test time is the criterion of the optimal line rate adjustment.

The adaptive mode is set on both COE and CPE devices.

## 5.2.2 Ethernet 10BaseT interface

The Ethernet interface functions depend on the device operation modes.

### Bridge mode

The bridge mode is used to connect LANs. The algorithm of the Ethernet traffic encapsulation into ATM is used in accordance with RFC 1483. The MDS92xxx-10BTS device implements both the transparent bridge or spanning tree algorithms. These algorithms are described in detail in "Bridging of local networks".

### Route mode

If the bridge functions are not enough, the MDS92xxx-10BTS device can work as a router. The Ethernet traffic is encapsulated in accordance with RFC 1438, RFC 2364, RFC 2516.

The MDS92xxx-10BTS device implements static and dynamic routing algorithms. These algorithms are described in detail in "Routing of local networks".

|   |
|---|
| <p><b>Note!</b> At the point-to-point connection, both device must be configured either as bridge or as router.</p> |
|---|

## 5.2.3 ATM interface

From side of the G.SHDSL line interface, the MDS92xxx-10BTS device acts as a SHDSL

### G.SHDSL-ATM Ethernet

modem that uses ATM protocol to transmit data. This allows to attach it to DSLAM equipment of different manufacturers.

In the present version of the firmware, ATM implements the following:

- multiprotocol encapsulation of heterogeneous LAN traffic into ATM cells. AAL5 according to RFC 1483;
- support of IP protocols over ATM and PPP over ATM;
- in the router mode there is established one PVC for the bridge (RFC 1483 standard), eight PVCs for IP over ATM, one PVC for PPP over ATM;
- support of QoS elements: UBR, CBR, VBR-nrt;
- ATM UNI interfaces (versions 3.0, 3.1, 4.0)

### 5.3 Description of LEDs

The following LEDs are used to display normal operation condition and alarm condition.

| LED        | Status                        |                                |  |
|------------|-------------------------------|--------------------------------|--|
|            | Off                           | On                             | Blinking                                   |
| Alarm      | Normal operation              | Failure or start of the device | Low quality of line<br>BER > 15 %          |
| Synch      | DSL line is not connected     | Synchronization is set up      | Synchronization is in process              |
| Link       | The Ethernet network is off   | The Ethernet network is on     | Packet exchange between shdsl and Ethernet |
| Act        | –                             | –                              | Ethernet packet is received                |
| Pwr        | Power is off                  | Power is on                    | –  |
| 1, 2, 3, 4 | The switch port is not active | The switch port is active      | Ethernet packet is received                |
| Col        | –                             | –                              | Collision in the Ethernet interface        |

## 6 MECHANIC DESIGN

The Black Box devices have three mechanic designs:

1. Sub-Rack is a unit to be mounted in 19" Rack Shelf (MDS920AE-XXXX);
2. Mini-Rack is a unit of 1U height (44.5 mm) to be mounted in 19" rack or a cabinet;
3. Stand Alone is a compact unit to be mounted on the tabletop/desktop or another horizontal surface.

### Sub-Rack

From the constructive point of view, MDS920C-10BTS, consists of two printed circuit boards (PCBs) and a front panel.

Fig. 16 shows the front panel.

The front panel has the following sockets and LEDs:

| <i>LED</i> | <i>Description</i>                            |
|------------|---|
| Alarm      | Alarm LED                                     |
| Sync       | xDSL line status LED                          |
| Link       | User's Ethernet interface status LED          |
| Act        | Transmission status LED over user interface   |
| xDSL       | RJ11 socket to connect DSL lines              |
| 10BaseT    | four RJ45 sockets to connect Ethernet network |
| 1, 2, 3, 4 | Switch port activation LED                    |
| Col        | Collision LED in Ethernet interface           |

G.SHDSL-ATM Ethernet



Fig. 16 MDS920C-10BTS, front panel

## G.SHDSL-ATM Ethernet

**Mini-Rack**

From the constructive point of view, MDS922AE-10BTS represents a case made of stainless steel and containing the basic elements of the device.

Fig. 17 shows the front panel.

The front panel has the following sockets and LEDs:

| <i>LED</i> | <i>Description</i>                          |
|------------|---|
| Alarm      | Alarm LED                                   |
| Sync       | xDSL line status LED                        |
| Link       | User's Ethernet interface status LED        |
| Act        | Transmission status LED over user interface |
| Pwr        | Power supply LED                            |
| xDSL       | RJ11 socket to link DSL lines               |
| 10BaseT    | four RJ45 sockets to link Ethernet network  |
| 1, 2, 3, 4 | Switch port activation LED                  |
| Col        | Collision LED in Ethernet interface         |
| -48VDC     | -48 Volt DC power input socket              |
| Monitor    | DB9F socket to connect management terminal  |
| ~230VAC    | ~230 Volt AC power input socket             |
| ⊥          | Grounding bolt                              |





### G.SHDSL-ATM Ethernet

#### Stand Alone

From the constructive point of view, MDS921AE-10BTS represents a case made of shockproof polystyrene to withstand harsh environmental conditions and containing the basic elements of the device. The power supply unit represents an external power supply unit in the form of a plug.

Fig. 18 shows the front and rear panels.

The panels have the following sockets and LEDs:

| <i>LED</i> | <i>Description</i>                          |
|------------|---|
| Alarm      | Alarm LED                                   |
| Sync       | xDSL line status LED                        |
| Link       | User's Ethernet interface status LED        |
| Act        | Transmission status LED over user interface |
| Pwr        | Power supply LED                            |
| xDSL       | RJ11 socket to link DSL lines               |
| 10BaseT    | four RJ45 sockets to link Ethernet network  |
| 1, 2, 3, 4 | Switch port activation LED                  |
| Col        | Collision LED in Ethernet interface         |
| DC/IN      | External power adapter entrance socket      |
| Monitor    | DB9F socket to connect management terminal  |
| ⊥          | Grounding bolt                              |

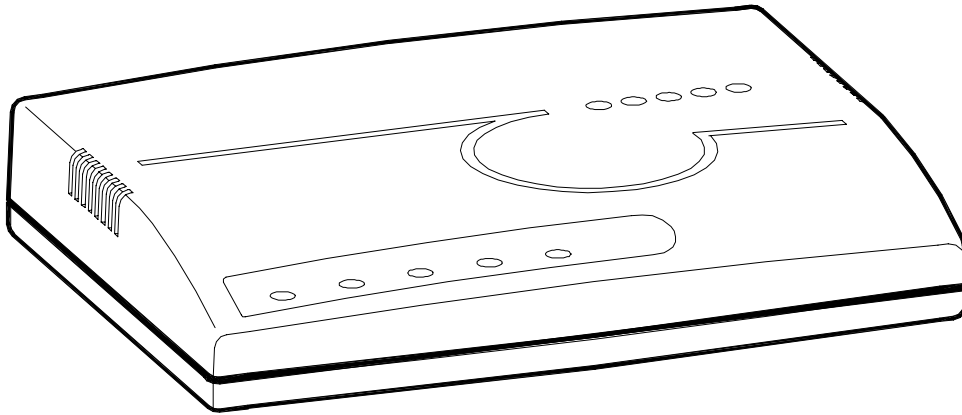


Fig. 18 MDS921AE-10BTS, top view

The front panel of the device has five LEDs:

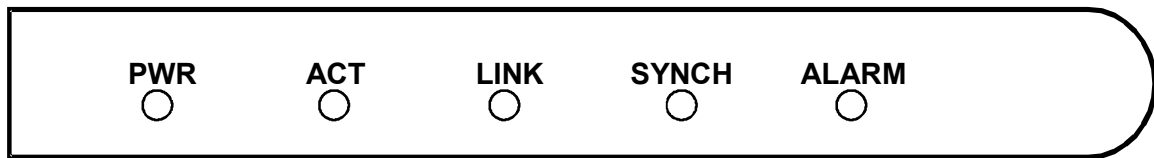


Fig. 19 MDS921AE-10BTS, front panels

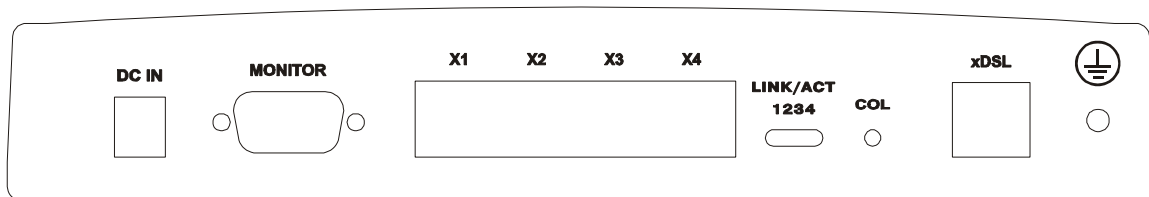


Fig. 20 MDS921AE-10BTS, rear panel

## 7 EQUIPMENT INSTALLATION

The installation and connection of the Black Box G.SHDSL devices is implemented in the following order:

- before the installation, make sure that the set is complete;
- mount the device in 19" shelf (for the devices of the Sub-Rack type), in 19" rack or cabinet (for the devices of the Mini-Rack type), or on horizontal surface (for the devices of the Stand Alone type);

**Note!** The metal cases in which devices of Mini-Rack type and cards of Sub-Rack type are mounted must be properly grounded (the grounding resistance is no more than 10 Ohm). The devices of Mini-Rack and Stand Alone type must be grounded through the grounding bolt. It is strictly prohibited to use the device until it is properly grounded.

- Connect xDSL cable to xDSL line port with the help of RJ11 connector;
- Plug in the free end of xDSL cable to the cable box or intermediate cross;

**Note!** The xDSL cable grounding must be connected to the line cable shield to reduce noise interference of the system.

- Connect the Data terminal equipment and the network interface socket with the appropriate cable;
- Connect Monitor socket on the device and the computer serial port with the help of RS232 9-pin cable;

**Note!** The controlling computer must be grounded through the same grounding circuit as the Black Box device.

- Switch the device on. The initialization takes of about 20 seconds. When the time lapses the device is ready for configuring from the control computer.

**Note!** The device must be disconnected from power during the installation.

DSL and computer connectors are described in Chapter 11.

## 8 PROGRAMMING GUIDE

### 8.1 Introduction

The equipment has built-in management and self-testing functions. The devices can be connected through the RS232 interface to the terminal or computer with a possibility of the terminal emulation for controlling and configuring.

**Note!** The device, primarily configured through the RS232 interface, can be remotely controlled over the Telnet or HTTP protocols.

#### Management of devices of Sub-Rack type

The device rear panel contains the TTL management bus, organized according to the “point/multipoint” scheme. The TTL-RS232 layer translator is on the rear panel of the device. The socket for the connection to the terminal is on the rear panel as well. If ACU and CMU are installed in subrack, the management socket is on the front panel.

To connect the terminal, it is necessary to use RS232 cable. While attaching the cable to the computer COM-port, make sure the port is not occupied by the other device drivers (for example, mouse).

The terminal must be configured in the following way:

- Transmission rate: 9600 kbit/s;
- Transmission format: 8-N-1;
- Flow management: XON/XOFF;
- Terminal type: VT100.

At any one time only one device in the card can be logically connected to the management interface. The device is chosen in accordance with the slot number, in which it is mounted. To choose the necessary device, type <%SN↓>, where SN is the slot number.

Example: to select the modem, mounted in slot 3, type:

```
%03↓.
```

The unit in the card displays %SN after the ECHO command is entered, where SN is the slot number.

After typing “ECHO”, the operator will receive a response from LTU devices, as it is shown below:

```
ECHO↓
%01 %02 %08 %10 %11 %12
```

## G.SHDSL-ATM Ethernet

### Management of devices of Mini-Rack and Stand Alone type

The management terminal is connected to the MONITOR socket (DB9 type), which is on the front (for devices of the Mini-Rack type) or rear (for the devices of the Stand Alone type) panels. The requirements to the terminal configuration are similar to those of Sub-Rack devices. After the power is on, the computer displays information about the device firmware loading.

### Command structure

The device is configured and controlled by using command line interface, called command menu. To facilitate the process, the commands are divided into hierarchical groups, called levels. The command of the first level can have subcommands. All subcommands are on the second level. Besides, there are special commands that do not form part of hierarchical groups.

Commands may have one or several parameters. When one enters such commands it is necessary to use a space character (SP) to divide command names and each of the parameters.

To facilitate the process of the command recognition, the monitor displays this or that prompt. For the main menu (commands of level 1) the following invitation is displayed `>`, for the submenu (commands of level 2) the following prompt is displayed `>submenu name>`. For example, `>shdsl>`. Prompts indicate that the device is ready to accept programs.

Fig.19 shows the command menu structure of the bridge mode.

Fig. 20 shows the command menu structure of the router mode.

The following rules are used to describe commands:

- the first level commands and special commands are numbered by three figures;
- the second level commands are numbered by four figures;
- parameters in angular brackets `< >` are obligatory to enter;
- parameters in direct brackets `[ ]` are not obligatory to enter;
- in real commands brackets are not entered, they are used for description!
- after the command is typed, press `<enter>`;
- symbol "vertical line" `|` between parameters requires to type one of the listed parameters.

**Note!** If a password is used as an access permission, the time of the command input is limited and makes 10 minutes. After the time lapses, the password must be entered again.

G.SHDSL-ATM Ethernet

|                  |       |      |         |      |      |       |         |         |      |          |      |     |
|------------------|-------|------|---------|------|------|-------|---------|---------|------|----------|------|-----|
| MDS921 MAIN MENU |       |      |         |      |      |       |         |         |      |          |      |     |
| default          | lan   | list | manage  | mode | ping | quick | r1483   | restart | save | shdsl    | show | ver |
|                  | setip |      | setpass |      |      |       | delpvc  |         |      | default  |      |     |
|                  | show  |      |         |      |      |       | pfilter |         |      | enable   |      |     |
|                  |       |      |         |      |      |       | setpvc  |         |      | terminal |      |     |
|                  |       |      |         |      |      |       | setqos  |         |      | annex    |      |     |
|                  |       |      |         |      |      |       | setspan |         |      | status   |      |     |
|                  |       |      |         |      |      |       | show    |         |      | fix      |      |     |
|                  |       |      |         |      |      |       |         |         |      | adapt    |      |     |

Fig. 19 Command tree of bridge mode

G.SHDSL-ATM Ethernet

| MDS921 MAIN MENU |          |          |           |      |         |      |          |      |         |          |         |            |      |          |      |     |
|------------------|----------|----------|-----------|------|---------|------|----------|------|---------|----------|---------|------------|------|----------|------|-----|
| default          | dnsrelay | ipoa     | lan       | list | manage  | mode | pat      | ping | pppoe   | r1483    | restart | rtable     | save | shdsl    | show | ver |
|                  | setdnslp | delwanip | dhcserver |      | setpass |      | addpatin |      | adduser | delwanip |         | addiproute |      | default  |      |     |
|                  | show     | setqos   | setdhcp   |      |         |      | delpatin |      | chpass  | setqos   |         | deliproute |      | enable   |      |     |
|                  |          | setrip   | setip     |      |         |      | setpat   |      | deluser | setip    |         | show       |      | terminal |      |     |
|                  |          | setwanip | show      |      |         |      | show     |      | echo    | setwanip |         |            |      | annex    |      |     |
|                  |          | show     |           |      |         |      |          |      | setlic  | show     |         |            |      | status   |      |     |
|                  |          |          |           |      |         |      |          |      | setqos  |          |         |            |      | fix      |      |     |
|                  |          |          |           |      |         |      |          |      | setrip  |          |         |            |      | adapt    |      |     |
|                  |          |          |           |      |         |      |          |      | show    |          |         |            |      |          |      |     |

Fig. 20 Command tree of router mode



## 8.2 Main menu of the bridge mode

After the power is switched on, the terminal screen displays the booting process:

```
NBfs0ZSDRAM size = 0x800000
Booting...
System start...
>>
```

The symbol >> means that the system is ready to accept commands.

### Security password from an unauthorized access

The system implements a security from an unauthorized access. When the security from an unauthorized access is activated the system demands to enter the password:

```
password: *****
>>
```

The factory setting password is: **blackbox** or “none”

### 8.2.1 Help command

The help command displays prompts with a list of available programs. One can receive detailed prompts about each command.

```
>> help
...
...
>>
```

Command format: help [command]

Parameter:

Command: Any command available in the menu.

### 8.2.2 Home command

The home command returns the command line one level up.

```
> shdsl> home
>>
```

Command format: home

Parameter: no

### 8.2.3 Default command

The default command sets the default settings.

## G.SHDSL-ATM Ethernet

```
>> default
The data set to default successfully.
>>
```

Command format: default

Parameter: none

### 8.2.4 Lan command

The Lan command puts the system in the Ethernet submenu.

```
>> lan
> lan>
```

Parameter:

|        |             |
|--------|-------------|
| Setip: | See 8.2.4.1 |
| Show   | See 8.2.4.2 |

#### 8.2.4.1 Setip command

The setip command sets the device IP address. This address is used for remote management of the device over Telnet or HTTP protocols.

```
> lan> setip> 10.0.1.205 255.0.0.0
> lan>
```

Command format: setip <etherip[/<masknum>]> [subnet mask]

Parameter:

|             |                          |
|-------------|--------------------------|
| Etherip:    | IP address of the device |
| Masknum:    | Network mask number      |
| Subnet mask | Subnet mask              |

#### 8.2.4.2 Show command

The show command displays the IP configuration of the device.

```
> lan> show
Ethernet ip: 10.0.1.205
Subnet mask: 255.0.0.0
```

Command format: show

Parameter: none

Definitions:

|              |                          |
|--------------|--------------------------|
| Ethernet ip: | IP address of the device |
| Subnet mask: | Subnet mask              |

## G.SHDSL-ATM Ethernet

### 8.2.5 List command

The list command displays the VC condition.

```
>> list
Port ethernet1
  0: edd          TxPkts:  0/0    RxPkts:  0/0
Port shdsl
  0: oamloop TxPkts:  0/0    RxPkts:  0/0    TxVPI/VCI:  0/0    R
xVPI/VCI:  0/0
  1: oamloop TxPkts:  0/0    RxPkts:  0/0    TxVPI/VCI:  0/0    R
xVPI/VCI:  0/0
  2: oamloop TxPkts:  0/0    RxPkts:  0/0    TxVPI/VCI:  0/0    R
xVPI/VCI:  0/3
  3: oamloop TxPkts:  0/0    RxPkts:  0/0    TxVPI/VCI:  0/0    R
xVPI/VCI:  0/4
  4: bridge  TxPkts:  0/0    RxPkts:  0/0    TxVPI/VCI:  8/35   R
xVPI/VCI:  8/35
>>
```

Command format: list

Definitions:

*Ethernet*

*port*

0                    Status of port № 1  
 TxPkts             Transmitted packets counter  
 RxPkts             Received packets counter (right/error)

*SHDSL port*

4                    Status of port № 1  
 TxPkts             Transmitted packets counter  
 RxPkts             Received packets counter (right/error)  
 TxVPI/VCI          Number of transmitted VC  
 RxVPI/VCI          Number of receiving VC

### 8.2.6 Manage command

The manage command puts the system into the management submenu of the access to the device.

```
>> manage
> manage>
```

Command format: manage [setpass]

Parameter:

Setpass:            See 8.2.6.1

## G.SHDSL-ATM Ethernet

### 8.2.6.1 Setpass command

The setpass command enables and disables the access password to the system.

#### Password setting

```
> manage> setpass
Password disabled
New Password:****
Confirm password again:****
Password has been changed
Saving configuration...
Configuration saved.
> manage>
```

**Command format: setpass**

**Parameter: none.**

#### Definitions:

|                            |  |
|----------------------------|--|
| Password disabled:         | The password is disabled. Information line.                                  |
| New Password:              | Enter a new password.  |
| Confirm password again:    | Confirm the password again.  |
| Password has been changed: | The password has been changed. Information line.                             |
| Saving configuration...:   | The new configuration is saved automatically after the dialogue is finished. |

#### Password change

```
> manage> setpass
Old Password:****
New Password(press ENTER to disable):*****
Confirm password again:*****
Password has been changed
Saving configuration...
Configuration saved.
> manage>
```

**Command format: setpass**

**Parameter: none.**

#### Definitions:

### G.SHDSL-ATM Ethernet

|  |  |
|--|--|
| Old Password:                          | Enter the old password.  |
| New Password (press Enter to disable): | Enter the new password.  |
| Confirm password again:                | Confirm the password again.  |
| Password has been changed:             | The password has been changed. Information line.                             |
| Saving configuration...:               | The new configuration is saved automatically after the dialogue is finished. |

### Password disablement

```

manage> setpass
Old Password:*****
New Password(press ENTER to disable):
Are you sure to disable password(y/n)?y
Password has been changed
Saving configuration...
Configuration saved.
> manage>

```

**Command format:** setpass

**Parameter:** none.

#### Definitions:

|   |  |
|---|--|
| Old Password:                           | Enter the old password   |
| New Password (press Enter to disable):  | Press "Enter" to disable the password.                                       |
| Are you sure to disable password (y/n): | Confirm the desire to disable the password by pressing "y".                  |
| Password has been changed:              | The password has been changed. Information line.                             |
| Saving configuration...:                | The new configuration is saved automatically after the dialogue is finished. |

**Note!** The maximal password length should be no more than 20 symbols. The password should be of Latin letters and figures. The symbol uppercase differs.

## G.SHDSL-ATM Ethernet

### 8.2.7 Mode command

The mode command selects the device operation mode: bridge or router.

#### Bridge mode setting

```
>> mode
Please select bridge or router:(b/r,b)b
Current mode is bridge
>>
```

Command format: mode

Parameter: none.

Definitions:

|                   |                             |
|-------------------|-----------------------------|
| Please select     | Select the operation mode:  |
| bridge or router: | bridge/router               |
| Current mode is   | The current mode is bridge: |
| bridge:           |                             |

#### Router mode setting

```
>> mode
Please select bridge or router:(b/r,b)r
Current mode is router
>>
```

Command format: mode

Parameter: none.

Definitions:

|                   |                             |
|-------------------|-----------------------------|
| Please select     | Select the operation mode:  |
| bridge or router: | bridge/router               |
| Current mode is   | The current mode is bridge: |
| router:           |                             |

|  |
|--|
| <b>Note!</b> The mode command changes the list of available commands in the main menu. |
|--|

### 8.2.8 Ping command

The ping command enables testing and allows to check the network efficiency.

```
>> ping 10.0.1.55
>> Press 'ESC' to break
>> ip: ping - reply received from 10.0.1.55
>> ip: ping - reply received from 10.0.1.55
```

### G.SHDSL-ATM Ethernet

```
>> ip: ping - no reply received
>> ping 299.999
>> Invalid IP
>>
```

Command format: ping <ipaddress>

#### Parameter:

Ipaddress:                   The IP address of the destination device

#### Definitions:

ip: ping - reply            The packet reached the destination received from successfully.  
 xxx.xxx.xxx.xxx:  
 ip: ping - no reply        The packet did not reach the received:                    destination.  
 Invalid IP:                The invalid IP address of the destination device.

**Note!** The ping command can be stopped by pressing “Esc”.

## 8.2.9 Quick command

The quick command allows to configure the modem’s parameters.

```
>> quick
  0 PVC existed, 8 PVCs available.
VPI(0-4095): 8
VCI(1-65535): 35
Packet Filter ( Any/Ip/Pppoe ): a
Add another PVC ? (y/n): n
Enable Spanning tree? (y/n) : n
      Configuration
      MODE: Bridge
      FUNCTION: R1483
      Spanning Tree: Disable
      # VPI VCI Package filter
      1: 8 35 ANY
Preserve the configuration (y/n) : y
Configuration will have no effect until after save and restart.
>>
```

Comand format: quick

Parameter: none.

#### Definitions:

0 PVC existed, 8 PVCs Information line shows the number of

### G.SHDSL-ATM Ethernet

available: existing or available PVC.  
 VPI(0-4095): Enter the VPI decimal number.  
 VCI(1-65535): Enter the VCI decimal number.  
 Packet Filter Defines the type of packet filtration.  
 (Any/Ip/Pppoe ): All (a), Ip (i) or PPP (p).  
 Add another PVC ?  
 (y/n): Continue or end the quick program.  
 Enable Spanning tree?  
 (y/n) : To enable/disable the spanning tree algorithm.  
 Preserve the  
 configuration (y/n) : To save/disable the configuration.

**Note!** The changes will be activated after the configuration is saved.

### 8.2.10 R1483 command

The r1483 command puts the system into the submenu of RFC1483 encapsulation settings.

```
>> r1483
> r1483>
```

Parameter:

|          |              |
|----------|--------------|
| Delpvc:  | See 8.2.10.1 |
| Pfilter: | See 8.2.10.2 |
| Setpvc:  | See 8.2.10.3 |
| Setqos:  | See 8.2.10.4 |
| Setspan: | See 8.2.10.5 |
| Show:    | See 8.2.10.6 |

#### 8.2.10.1 Delpvc command

The delpvc allows to delete one or all PVCs.

```
> r1483> delpvc all
> r1483>
```

Command format: delpvc <all>|[<vpi>/]<vci>

Parameter:

|          |                                      |
|----------|--------------------------------------|
| All:     | Deletes all PVCs.                    |
| VPI/VCI: | Deletes a PVC with a VPI/VCI number. |

#### 8.2.10.2 Pfilter command

The pfilter command sets the packet filter for the mentioned PVC.



### G.SHDSL-ATM Ethernet

```
> r1483> pfilter 8/35 ip
> r1483>
```

Command format: pfilter [<vpi>/]<vci> <any|ip|pppoe|igmp|none>

Parameter:

|          |                                    |
|----------|------------------------------------|
| VPI/VCI: | Sets PVC with the VPI/VCI number.  |
| Any:     | This PVC passes any packet.        |
| Ip:      | This PVC passes only IP packet.    |
| Pppoe:   | This PVC passes only PPPoE packet. |
| Igmp:    | This PVC passes only IGMP packet.  |
| None:    | This PVC does not pass packets.    |

**Note!** The pfilter command changes the PVC parameters, first configured by the quick command (see 8.2.9) or setpvc command (see 8.2.10.3). If the mentioned PVC is not found, the system displays an error message.

#### 8.2.10.3 Setpvc command

The setpvc command activates PVC with a mentioned address.

```
> r1483> setpvc 8/35 llc
> r1483>
```

Command format: setpvc [<vpi>/]<vci> [llc/vcmux]

parameter:

|            |  |
|------------|--|
| VPI/VCI:   | Sets PVC with the VPI/VCI number.                  |
| LLC/VCMUX: | Shows the encapsulation type according to RFC1483. |

#### 8.2.10.4 Setqos command

The setqos command sets the priority for the active PVC.

```
> r1483> setqos 8/35 ubr
> r1483>
```

Command format: setqos [<vpi>/]<vci> <ubr|cbr|vbr(nrt)>

Parameter:

|          |                                   |
|----------|-----------------------------------|
| VPI/VCI: | Sets PVC with the VPI/VCI number. |
| UBR:     | Sets the UBR priority.            |
| CBR:     | Sets the CBR priority.            |
| VBR:     | Sets the VBR priority.            |
| VBRNRT:  | Sets the VBR-NRT priority.        |

**Note!** The setqos command changes the PVC parameters, first configured by the quick command (see 8.2.9) or setpvc command (see 8.2.10.3). If the mentioned PVC is not found, the system displays an error message.

### 8.2.10.5 Setspan command

The setspan command enables and disables the spanning tree mode for all PVCs.

```
> r1483> setspan disable
> r1483>
```

Command format: setspan <Enable>|<Disable>

Parameter:

|         |   |
|---------|---|
| Enable: | To enable the spanning tree mode for all PVCs.  |
| UBR:    | To disable the spanning tree mode for all PVCs. |

### 8.2.10.6 Show command

The show command displays the configuration of all the active PVCs.

```
> r1483> show
FUNCTION    VPI/VCI    CLASS    LLC/VCMUX    Spanning    Pkt Filter
Rfc1483    8/35      ubr      LLC          Disable     IP
> r1483>
```

Command format: show

Parameter: none.

Definitions:

|             |  |
|-------------|--|
| Function:   | Defines the used protocol.               |
| VPI/VCI:    | PVC number.                              |
| CLASS:      | Priority.                                |
| LLC/VCMUX:  | Encapsulation type according to RFC1483. |
| Spanning:   | Spanning tree mode (enabled/disabled).   |
| Pkt Filter: | The used packet filter.                  |

### 8.2.11 Restart command

The restart command reboots the system.

```
>> restart
NBfs0ZSDRAM size = 0x800000
Booting...
System start...

>>
```

### G.SHDSL-ATM Ethernet

Command format: restart

Parameter: none.

#### 8.2.12 Save command

The save command preserves all the changes.

```
>> save

Saving configuration...
Configuration saved.
Updating flash filing system ...
NBfs0ZSDRAM size = 0x800000
Booting...
System start...
>>
```

Command format: save

Parameter: none.

**Note!** The save command restarts the system.

#### 8.2.13 Shdsl command

The shdsl command puts the system into the submenu of the shdsl line.

```
>> shdsl
> shdsl>
```

Command format: shdsl [default | enable | terminal <Coe>|<CPE> | annex <a|b> | fix <Rate> | adapt <maxrate> <minrate> | status]

Parameter:

|           |              |
|-----------|--------------|
| Default:  | See 8.2.13.1 |
| Enable:   | See 8.2.13.2 |
| Terminal: | See 8.2.13.3 |
| Annex:    | See 8.2.13.4 |
| Fix       | See 8.2.13.5 |
| Adapt:    | See 8.2.13.6 |
| Status    | See 8.2.13.7 |

##### 8.2.13.1 Default command

The default command sets the shdsl default settings.

```
> shdsl> default
> shdsl>
```

Command format: default

### G.SHDSL-ATM Ethernet

Parameter: none.

#### 8.2.13.2 Enable command

The enable command activates the last settings of shdsl without them being saved and restarted.

```
> shdsl> enable
> shdsl>
```

Command format: enable

Parameter: none.

#### 8.2.13.3 Terminal command

The terminal command sets the device as the master or slave.

```
> shdsl> terminal coe
> shdsl>
```

Command format: terminal <Coe>|<CPe>

Parameter:

|      |                                     |
|------|-------------------------------------|
| Coe: | The device is configured as master. |
| Cpe: | The device is configured as slave.  |

**Note!** When the two modems are connected according to the point-to-point algorithm, one of the devices must be configured as the master, and the other as the slave.

#### 8.2.13.4 Annex command

The annex command sets the line code type in accordance with ITU-T (G.SHDSL).

```
> shdsl> annex b
> shdsl>
```

Command format: annex <a|b>

Parameter:

|    |   |
|----|---|
| a: | Sets the mode most suitable for the USA and Canada. |
| b: | Sets the mode most suitable for Europe.             |

#### 8.2.13.5 Fix command

The fix command sets the manual mode of line rate adjustment.

```
> shdsl> fix 768
```

## G.SHDSL-ATM Ethernet

```
> shdsl>
```

Command format: fix <rate>

Parameter:

```
rate:           Displays the rate at which the connection
                  will be established. Rate is calculated
                  according to the following expression
                   $n*64+i*8+8$ , where n is efficient capacity ( $1 \leq n < 36$ ),
                  and i is a header ( $i=0 | 1$ ). Rate can
                  take the following values: 2320, 2312, 2256,
                  2248, 2192, 2184, 2128, 2120, 2064, 2056,
                  2000, 1992, 1936, 1928, 1872, 1864, 1808,
                  1800, 1744, 1736, 1680, 1672, 1616, 1608,
                  1552, 1544, 1488, 1480, 1424, 1416, 1360,
                  1352, 1296, 1288, 1232, 1224, 1168, 1160,
                  1104, 1096, 1040, 1032, 976, 968, 912, 904,
                  848, 840, 784, 776, 720, 712, 656, 648, 592,
                  584, 528, 520, 464, 456, 400, 392, 336, 328,
                  272, 264, 208, 200, 144, 136, 80, 72
```

**Note!** The fixed mode must be enabled on the master device.

### 8.2.13.6 Adapt command

The adapt command sets the automatic mode of line rate adjustment.

```
> shdsl> adapt 2320 72
```

```
> shdsl>
```

Command format: adapt <maxrate> <minrate>

Parameter:

```
Maxrate:           Displays the maximal rate of the connection.
Minrate:           Displays the minimal rate of the connection.
```

**Note!** The adaptive mode must be configured on the slave device. If the manual mode is configured on the master device, the line rate will be set according to the fix parameter of the master device. If the automatic mode is configured on the master device, the line rate will depend on the DSL line quality.

## G.SHDSL-ATM Ethernet

### 8.2.13.7 Status command

The status command displays the actual SHDSL connection status.

```
> shdsl> status
Config :
terminal      - coe
Rate Mode    - adaptive
Line Rate Range - MAX:2320   MIN:72
Status :
F/W Version   : R1.7
Line Code     : PAM(SHDSL)
SHDSL Standard: ANNEX B
Last Failed   : No failure
Start Progress: PRE ACTIVATION
Attenuation   : -NaNdB
Line Quality  : 0dB
Avg Quality   : 0dB
Receiver Gain : 0dB
XMIT Power    : 0.0dBm
Framer Status : LOS
Current Rate  : 0
Line Status   : Handshake
> shdsl>
```

**Command format: status**

**Definitions:**

|                  |  |
|------------------|--|
| Config:          | The device configuration               |
| Terminal:        | The device type (Coe/CPe).             |
| Rate Mode:       | Line rate mode (Manual/Automatic).     |
| Line Rate Range: | Line range rate in the automatic mode. |
| Status:          | shdsl status.                          |

### 8.2.14 Show command

The show command displays the modem IP address and active PVC settings.

```
>> show
Ethernet ip: 192.168.1.1
Subnet mask: 255.255.255.0
FUNCTION   VPI/VCI   CLASS   LLC/VCMUX   Spanning   Pkt Filter
Rfc1483    8/35     ubr      LLC         Disable    ANY
>>
```

**Command format: show**

**Definitions:**

|              |                        |
|--------------|------------------------|
| Ethernet ip: | The device IP address. |
|--------------|------------------------|

## G.SHDSL-ATM Ethernet

|              |  |
|--------------|--|
| Subnet mask: | Subnet mask.                             |
| Function:    | Indicates the used protocol.             |
| VPI/VCI:     | PVC number.                              |
| CLASS:       | Priority.                                |
| LLC/VCMUX:   | Encapsulation type according to RFC1483. |
| Spanning:    | Spanning tree (enabled/disabled).        |
| Pkt Filter:  | The used packet filter.                  |

### 8.2.15 Ver command

The ver command displays the firmware version.

```
>> ver
Version : 1.73NTFO.E2R (1.73NTFO.E2R-H62.303-FR17-274B 10/Apr/2003
15:30)
>>
```

Command format: ver

## 8.3 Main menu of the router mode

### 8.3.1 Default command

See 8.2.1

### 8.3.2 Dnsrelay command

The dnsrelay command puts the system into the submenu of dns parameters.

```
>> dnsrelay
> dnsrelay>
```

Command formate: dnsrelay [setdnsip <dnsip> [<retry times>] | show]

Parameter:

|           |             |
|-----------|-------------|
| Setdnsip: | See 8.3.2.1 |
| Show:     | See 8.3.2.2 |

#### 8.3.2.1 Setdnsip command

The setdnsip command sets the DNS-server address.

```
> dnsrelay> setdnsip 10.0.0.50 3
```

Command format: dnsrelay [setdnsip <dnsip> [<retry times>]

Parameter:

|              |   |
|--------------|---|
| Dnsip:       | IP address of the DNS server                    |
| Retry times: | The number of retry connections with the server |

## G.SHDSL-ATM Ethernet

### 8.3.2.2 Show command

The show command displays the DNS current settings and server connection status.

```
> dnsrelay> show
DNS server ip: 0.0.0.0
Retry times: 3
DNS relay status
DNS server address discovery incomplete.
> dnsrelay>
```

Command format: show

Parameter:

None

### 8.3.3 8.3.3 Ipoa command

The ipoa command puts the system into the menu of connection settings of IP over ATM.

```
>> ipoa
> ipoa>
```

Command format: ipoa [delwanip | setqos | setrip | show]

Parameter:

|           |             |
|-----------|-------------|
| Delwanip: | See 8.3.3.1 |
| Setqos:   | See 8.3.3.2 |
| Setrip:   | See 8.3.3.3 |
| Show:     | See 8.3.3.3 |

#### 8.3.3.1 Delwanip command

The delwanip command serves to delete all or selected PVC.

```
> ipoa> delwanip all
```

Command format: delwanip <all>[<vpi>]/<vci>

Parameter:

|          |   |
|----------|---|
| All:     | Deletes all PVCs.                                 |
| VPI/VCI: | Deletes the selected PVC with the VPI/VCI number. |

#### 8.3.3.2 Setqos command

The setqos command sets the priority for the active PVC.

```
> r1483> setqos 8/35 ubr
> r1483>
```

Command format: setqos [<vpi>]/<vci> <ubr|cbr|vbr(nrt)>

Parameter:



### G.SHDSL-ATM Ethernet

|          |                                   |
|----------|-----------------------------------|
| VPI/VCI: | Sets PVC with the VPI/VCI number. |
| UBR:     | Sets the UBR priority.            |
| CBR:     | Sets the CBR priority.            |
| VBR:     | Sets the VBR priority.            |
| VBRNRT:  | Sets the VBR-NRT priority.        |

**Note!** The setqos command changes the PVC parameters, first configured by the quick command (see 8.2.9) or the setwanip command (see 8.3.3.4). If the mentioned PVC is not found, the system displays an error message.

#### 8.3.3.3 Setrip command

The setrip command sets the RIP type for the used PVC.

```
> ipoa> setrip 8/35 1
> ipoa>
```

Command format: setrip [<vpi>/<vci> <1|2|1&2|0>

Parameter:

|          |                                   |
|----------|-----------------------------------|
| VPI/VCI: | Sets PVC with the VPI/VCI number. |
| 1:       | Sets RIP1.                        |
| 2:       | Sets RIP2.                        |
| 1&2:     | Sets RIP1 и 2.                    |
| 0:       | RIP is not used                   |

**Note!** The setrip command changes the PVC parameters, first configured by the quick command (see 8.2.9) or the setwanip command (see 8.3.3.4). If the mentioned PVC is not found, the system displays an error message.

#### 8.3.3.4 Setwanip command

The setwanip command sets the IP address of the SHDSL (WAN) interface and the gateway of the selected PVC.

```
> ipoa> setwanip 8/35 216.71.89.12 216.71.89.3
> ipoa>
```

Command format: setwanip [<vpi>/<vci> <wanip[/<masknum>]> <gatewayip>

Parameter:

|            |  |
|------------|--|
| VPI/VCI:   | Sets PVC with the VPI/VCI number.                |
| Wanip:     | Sets the IP address of the device WAN interface. |
| Musknum:   | Sets the mask number.                            |
| Gatewayip: | Sets the gateway IP address.                     |

## G.SHDSL-ATM Ethernet

### 8.3.3.5 Show command

The show command displays the IP configuration over ATM.

```
> ipoa> show
IPoA setting:
FUNCTION  VPI/VCI  CLASS  Wan IP/MaskNum  GatewayIP  RIP
IPoA      8/35     ubr    216.71.89.12/24  216.71.89.3  0
```

Command format: show

#### Definitions:

VPI/VCI: Defines the used PVC with the VPI/VCI number.

Wanip/MaskNum: IP address/subnet mask

GatewayIP: Gateway IP address.

RIP: The used RIP

### 8.3.4 Lan command

The lan command puts the system into the menu of local Ethernet interface parameter settings.

```
>> lan
> lan>
```

Command format: lan [dhcpserver | setdhcp | setip | show]

#### Parameter:

Dhcpserver: See 8.3.4.1

Setdhcp: See 8.3.4.2

Setip: See 8.3.4.3

Show: See 8.3.4.4

#### 8.3.4.1 Dhcpserver command

The dhcpserver command sets the operation mode of the in-built DHCP server.

```
DHCP Mode: Server.
> lan>
```

Command format: dhcpserver <range1 startIP> <range1 endIP> [<range2 startIP> <range2 endIP>] [<max-lease-time>]

dhcpserver dns <dns ip1> [<dns ip2>]

#### Parameter:

Range1 startIP: The starting IP address of the first range.

Range1 endIP: The end IP address of the first range.

Range2 startIP: The starting IP address of the second range.

Range2 endIP: The end IP address of the second range.

### G.SHDSL-ATM Ethernet

Max-lease-time: Lease time of the address.  
 Dns ip1: IP address of the first DNS.  
 Dns ip2: IP address of the second DNS.

#### 8.3.4.2 Setdhcp command

The setdhcp command activates or deactivates the DHCP server.

```
> lan> setdhcp disable
DHCP is set to disable.
> lan>
```

Command format: setdhcp [server|disable]

Parameter:

Server: DHCP server is active.  
 Disable: DHCP server is not active.

#### 8.3.4.3 Setip command

See 8.2.4.1

#### 8.3.4.4 Show command

The show command displays the configuration of the built-in DHCP server and the Ethernet-interface address.

```
lan> show
Ethernet ip: 198.24.67.20
Subnet mask: 255.255.255.0
DHCP current setting : disable.
DHCP ineffective setting : disable.
> lan>
```

Command format: setdhcp [server|disable]

Parameter:

Ethernet ip: Ethernet interface IP address.  
 Subnet mask: Ethernet interface subnet mask.  
 DHCP current setting : DHCP server current settings.  
 DHCP ineffective setting : DHCP server settings (server/disable).

#### 8.3.5 List command

See 8.2.5

## G.SHDSL-ATM Ethernet

### 8.3.6 Manage command

See 8.2.6

### 8.3.7 Mode command

See 8.2.7

### 8.3.8 Pat command

The pat command puts the system into the menu of NAT address translations settings.

```
>> pat
> pat>
```

Command format: pat [addpatin | delpatin | setpat | show]

Parameter:

|           |             |
|-----------|-------------|
| addpatin: | See 8.3.8.1 |
| delpatin: | See 8.3.8.2 |
| setpat:   | See 8.3.8.3 |
| Show:     | See 8.3.8.4 |

#### 8.3.8.1 Addpatin command

The addpatin command is used to translate private IP addresses into real in order to provide access to LAN resources from WAN.

```
> pat> addpatin pppoa 434 udp 192.168.2.134
> pat>
```

Command format: addpatin <pppoa|pppoe|wanip> <port>/<udp|tcp> <serverip>

Parameter:

|          |  |
|----------|--|
| Wanip:   | Real IP address  |
| Port     | The server port number, to which the access is allowed |
| Udp tcp  | Packet transmission protocols                          |
| Serverip | The local server address                               |

#### 8.3.8.2 Delpatin command

The delpatin command deletes the addpatin command.

```
> pat> delpatin all
> pat>
```

Command format: delpatin <all>|<number>

Parameter:

|      |                              |
|------|------------------------------|
| all: | Deletes all the connections. |
|------|------------------------------|

### G.SHDSL-ATM Ethernet

Number: The virtual connection number, displayed by the show command.

#### 8.3.8.3 Setpat command

The setpat command enables and disables real IP address translation in LANs. The access list function will be added later.

```
> pat> setpat pppoa enable
> pat>
```

Command format: setpat <pppoa|pppoe|wanip> <e>nable|<d>isable

Parameter:

Wanip: Real IP address.  
 <e>nable|<d>isable Enables/disables the PAT function.

#### 8.3.8.4 Show command

The show command displays the PAT configuration.

```
> pat> show
PAT enabled interface:
Interface      IP address
IPoA           210.62.2.195
PPPoA         ????.????.????.???
PAT incoming table
No.  i/f name|WanIP  Port/Protocol  Server IP
  1   pppoa           434/udp        192.62.2.134
  2   210.62.2.195  232/tcp        192.62.2.166
> pat>
```

Command format: show

Definitions:

Interface: The used interface.  
 IP address: Interface IP address.  
 No. The table serial number.  
 i/f name|WanIP The interface name | WAN address.  
 Port/Protocol: Port and transmission protocol.  
 Server IP The server IP address.

#### 8.3.9 Ping command

See 8.2.8

#### 8.3.10 Pppoa command

The pppoa command puts the system into the menu of PPP over ATM settings.

### G.SHDSL-ATM Ethernet

```
>> pppoa
```

```
> pppoa>
```

Command format: pppoa [adduser [<vpi>/<vci> <userid> [<chap|pap>] | chpass | deluser | echo <interval time> | setllc <e>nable|<d>isable | setqos <ubr|cbr> | setrip <1|2|1&2|0> | show]

#### Parameter:

|          |              |
|----------|--------------|
| Adduser: | See 8.3.10.1 |
| Chpass:  | See 8.3.10.2 |
| Deluser: | See 8.3.10.3 |
| Echo     | See 8.3.10.4 |
| Setllc:  | See 8.3.10.5 |
| Setqos:  | See 8.3.10.6 |
| Setrip:  | See 8.3.10.7 |
| Show:    | See 8.3.10.8 |

#### 8.3.10.1 Adduser command

The adduser command activates VC, assigning the VPI/VCI addresses and sets the user's name and the password for PPP over ATM connections.

```
> pppoa> adduser 8/35 blackbox chap
```

```
New Password:*****
```

```
Confirm password again:*****
```

```
User account added successfully.
```

```
> pppoa>
```

Command format: adduser [<vpi>/<vci> <userid> [<chap|pap>]

#### Parameter:

|           |   |
|-----------|---|
| VPI/VCI:  | Defines the used PVC with the VPI/VCI number. |
| UserId:   | User's name.                                  |
| Chap/pap: | Access check protocol.                        |

#### 8.3.10.2 Chpass command

The chpass command changes the password on PPP over ATM connections. The password can contain no more that 20 letters or figures. The uppercase and lowercase differ.

```
> pppoa> chpass
```

```
Old Password:*****
```

```
New Password:****
```

```
Confirm password again:****
```

```
Password has been changed
```

```
> pppoa>
```

Command format: chpass

### G.SHDSL-ATM Ethernet

Parameter:

None

#### 8.3.10.3 Deluser command

The deluser command deletes the current PPP over ATM connection.

```
> pppoa> deluser
> pppoa>
```

Command format: deluser

Parameter:

None

#### 8.3.10.4 Echo command

The echo command enables and disables the LCP response (the process of the control connection). LCP is used to confirm the established PPP connection, the interval time between the LCP responses can be changed.

```
> pppoa> echo 120
> pppoa>
```

Command format: echo <interval time>

Parameter:

|               |  |
|---------------|--|
| Interval time | Intervals between LCP responses. The interval lies in the range from 0 to 65535 seconds. The default setting is 60 s. If the parameter is 0, the function is disabled. |
|---------------|--|

#### 8.3.10.5 Setllc command

The setllc command enables and disables the logical connection control.

```
> pppoa> setllc enable
> pppoa>
```

Command format: setllc <e>nable|<d>isable

Parameter:

|           |  |
|-----------|--|
| <e>nable  | The function of logical connection control |
| <d>isable | (enabled/disabled).                        |

#### 8.3.10.6 Setqos command

The setqos command sets the priority for the active connection of PPP over ATM.

```
> pppoa> setqos ubr
> pppoa>
```

### G.SHDSL-ATM Ethernet

Command format: setqos <ubr|cbr>

Parameter:

UBR:                               Sets the UBR priority.  
 CBR:                               Sets the CBR priority.

#### 8.3.10.7 Setrip command

The setrip command sets the RIP type for the active connection of PPP over ATM.

```
> pppoa> setrip 1
```

```
> pppoa>
```

Command format: setrip <1|2|1&2|0>

Parameter:

1:                               Sets RIP1.  
 2:                               Sets RIP2.  
 1&2:                            Sets RIP1 & 2.  
 0:                               RIP is not used.

#### 8.3.10.8 Show command

The show command displays the configuration of the current PPP over ATM connection.

```
> pppoa> show
```

```
PPPoA setting:
```

| Function | VPI/VCI    | CLASS            | RIP | UserID/Authentication |
|----------|------------|------------------|-----|-----------------------|
| PPPoA    | 8/35       | cbr              | 1   | blackbox/CHAP         |
|          | LLC=Enable | Echo is disabled |     |                       |

```
> pppoa>
```

Command format: show

Parameter:

None

#### 8.3.11 Pppoe command

The pppoe command puts the system into the menu of PPP over Ethernet settings.

The menu description will be given in the next version.

#### 8.3.12 R1483 command

The r1484 command puts the system into the menu of RFC1483 encapsulation settings.

```
>> r1483
```

```
> r1483>
```

Command format: r1483 [delwanip <all>|<vpi>|<vci> | setqos [<vpi>|<vci>



### G.SHDSL-ATM Ethernet

```
<ubr|cbr|vbr(nrt)> | setrip [<vpi>/<vci> <1|2|1&2|0> | setwanip setwanip [<vpi>/<vci>
<wanip[/<masknum>]> [llc/vcmux] | show]
```

#### Parameter:

|           |               |
|-----------|---------------|
| Delwanip: | See 8.3.12.1  |
| Setqos:   | See 8.3.12.2  |
| Setrip:   | See 8.3.12.3  |
| Setwanip: | See 8.3.12.4  |
| Show:     | See 8.3.12.5. |

#### 8.3.12.1 Delwanip command

The delwanip command serves to delete all or selected PVC.

```
> r1483> delwanip all
> r1483>
```

Command format: delwanip <all>[<vpi>/<vci>]

#### Parameter:

|          |   |
|----------|---|
| All:     | Deletes all PVC.                                  |
| VPI/VCI: | Deletes the selected PVC with the VPI/VCI number. |

#### 8.3.12.2 Setqos command

The setqos command sets the priority for the active PVC.

```
> r1483> setqos 8/35 ubr
> r1483>
```

Command format: setqos [<vpi>/<vci> <ubr|cbr|vbr(nrt)>]

#### Parameter:

|          |                                   |
|----------|-----------------------------------|
| VPI/VCI: | Sets PVC with the VPI/VCI number. |
| UBR:     | Sets the UBR priority.            |
| CBR:     | Sets the CBR priority.            |
| VBR:     | Sets the VBR priority.            |
| VBRNRT:  | Sets the VBR-NRT priority.        |

#### 8.3.12.3 Setrip command

The setrip command sets the RIP type for the used PVC.

```
> pppoa> setrip 1
> pppoa>
```

Command format: setrip <1|2|1&2|0>

#### Parameter:

|         |                                  |
|---------|----------------------------------|
| VPI/VCI | Sets PVC with the VPI/VCI number |
|---------|----------------------------------|

### G.SHDSL-ATM Ethernet

```

1:          Sets RIP1.
2:          Sets RIP2.
1&2:       Sets RIP1 & 2.
0:          RIP is not used.

```

#### 8.3.12.4 8.3.12.4 Setwanip command

The setwanip command sets the IP address of the SHDSL (WAN) interface for the selected PVC.

```

> r1483> setwanip 8/35 216.71.89.12
> r1483>

```

Command format: setwanip [<vpi>/]<vci> <wanip[/<masknum>]> [llc/vcmux]

##### Parameter:

```

VPI/VCI:       Sets PVC with the VPI/VCI number.
Wanip:         Sets the IP address of the device WAN
                interface.
Masknum:       Sets the mask number.
Llc/vcmux:     Sets the encapsulation type according
                to RFC1483.

```

#### 8.3.12.5 Show command

The show command displays the r1483 configuration.

```

> r1483> show
RFC1483 setting:
FUNCTION  VPI/VCI    CLASS  LLC/VCMUX    Wan IP/MaskNum  RIP
Rfc1483   8/35      ubr    LLC          216.71.89.12/24  1
> r1483>

```

Command format: show

##### Definitions:

```

VPI/VCI:       Defines the used PVC with the VPI/VCI
                number.
Wanip/MaskNum: IP address/subnet mask.
Class:         Connection priority.
RIP:           The used RIP

```

#### 8.3.13 Quick command

The quick command allows to set quickly the connection with the help of prompts.

```

>> quick
R1483(r)/ IPoA(i)/ PPPoA(p): i
  0 PVC existed, 5 PVCs available.
Ethernet IP (192.168.1.1) : 198.24.67.20

```

### G.SHDSL-ATM Ethernet

```
Subnet mask (255.255.255.0) : 255.255.255.0
VPI(0-4095): 8
VCI(1-65535): 35
WAN IP : 216.71.89.12
Gateway : 216.71.89.3
```

#### Setup Configuration

```
FUNCTION: IPOA
Ethernet IP: 198.24.67.20
Subnet Mask: 255.255.255.0
#  VPI    VCI    WAN IP          Gateway IP
1:  8     35     216.71.89.12   216.71.89.3
Preserve the configuration (y/n) : y
Continue quick (y/n) : n
Configuration will have no effect until after save and restart.
>>
```

Command format: quick

### 8.3.14 Restart command

See 8.2.11

### 8.3.15 Rtable command

The rtable puts the system into the menu of routing table settings.

```
>> rtable
> rtable>
```

Command format: rtable [addiproute | deliproute | show]

Parameter:

|             |   |
|-------------|---|
| Addiproute: | Adds a new route in the routing table                           |
| Deliproute: | Deletes all the connections                                     |
| Show        | The virtual connection number,<br>displayed by the show command |

#### 8.3.15.1 Addiproute

The addiproute command adds a new route in the routing table.

```
> rtable> addiproute 198.24.67.0 216.71.89.3
> rtable>
```

Command format: addiproute <destip[/<masknum>]> [<submask>] <gatewayip>

Parameter:

|                    |                                     |
|--------------------|-------------------------------------|
| Destip[/<masknum>: | Address / destination network mask. |
| Submask:           | Subnet.                             |

### G.SHDSL-ATM Ethernet

Gatewayip                      Gateway IP address.

#### 8.3.15.2 Deliproute

The deliproute command deletes a route in the routing table.

```
> rtable> deliproute all
> rtable>
```

Command format: deliproute <all>|<number>

Parameter:

|         |  |
|---------|--|
| all:    | Deletes all routes from the table.                               |
| number: | Deletes the route with the number displayed by the show command. |

#### 8.3.15.3 Show command

The show command displays the routing table.

```
> rtable> show
Routing Table:
  No. Destination IP  SubMask           Gateway IP
   1  0.0.0.0          0.0.0.0           216.71.89.3
   2  198.24.67.0     255.255.255.0    216.71.89.3
effective routing table:
Routing table is empty
> rtable>
```

Command format: show

Parameter:

|                 |                      |
|-----------------|----------------------|
| No:             | The routing number.  |
| Destination IP: | Destination address. |
| SubMask         | Subnet mask          |
| Gateway IP      | Gateway IP address   |

#### 8.3.16 Save command

See 8.2.12

#### 8.3.17 Shdsl command

See 8.2.13

#### 8.3.18 Show command

See 8.2.14

*G.SHDSL-ATM Ethernet*

### **8.3.19 Ver command**

See 8.2.15

## 9 FIRMWARE LOADING

The device hardware allows to implement new possibilities and functions by updating its firmware. To facilitate the firmware update, there exists a command file. The upgrade is implemented over TFTP.

It is recommended to update the firmware in the manufacturer or provider's (supplier) service center. One should take into account the following items, while loading the firmware:

- The firmware updating is the most responsible operation in the process of the device exploitation. The staff mistakes and the device malfunctioning while updating it, can lead to unexpected results.
- The firmware loading should not be done if it is not necessary. One should not install new firmware, if the possibilities it has, are not used while running the device.
- The power supply must be stable during the firmware loading. If there occurs a failure of power supply and the device starts malfunctioning it is necessary to contact the service center.
- It is expressly recommended to use the same firmware version in all inter connected devices in order to provide their reliable operation.
- New firmware versions are available on the manufacturer's web-site: <ftp://ftp.black-box.ch/> or in the provider's center.

### 9.1 Firmware loading guide

To update the device firmware it is necessary:

- Extract the file from the archive;
- Set the password;
- Open the tftpload.key file with the help of a text editor and add your password in it;
- With the help of the ping command, make sure that the system responds;
- In DOS enter xupgrade<the device IP address>, for example, xupgrade 192.168.1.1;
- The new firmware version starts operating after the restart of the system.

**Note!** It is recommended to follow the default command (see 8.2.1) and to save the configuration before installing a new firmware version.

## 10 TECHNICAL SPECIFICATIONS

### 10.1 Interfaces

#### 10.1.1 Monitor interface

| <i>Parameter</i>        | <i>Description</i>      |
|-------------------------|-------------------------|
| Interface               | ITU-T V.24/V.28 (RS232) |
| Transmission mode       | Asynchronous            |
| Interface type          | DCE                     |
| Terminal emulation mode | VT100                   |
| Transmission format     | 8-N-1                   |
| Flow management         | XON/XOFF                |
| Transmission rate       | 2400...57600 bit/s      |

#### 10.1.2 Network management interface

| <i>Parameter</i>    | <i>Description</i>                    |
|---------------------|---------------------------------------|
| Interface           | Ethernet ISO/IEC 8802-3               |
| Supported protocols | Telnet, SNMP MIB II, ILMI, TFTP, HTTP |

#### 10.1.3 SHDSL interface

| <i>Parameter</i>      | <i>Description</i>      |
|-----------------------|-------------------------|
| Transmission standard | ITU-T G.991.2 (G.SHDSL) |
| Cable                 | Symmetrical wire cables |
| Number of pairs       | 1                       |
| Transmission rate     | 72 – 2320 kbit/sw       |
| Line code             | TC-G.SHDSL              |

## G.SHDSL-ATM Ethernet

| <i>For transmission rate, kbit/s:</i> | <i>Frequency transmission range, kHz</i> |
|---------------------------------------|--|
| 200                                   | 0...67                                   |
| 264                                   | 0...88                                   |
| 392                                   | 0...131                                  |
| 520                                   | 0...173                                  |
| 776                                   | 0...258                                  |
| 1032                                  | 0...344                                  |
| 1544                                  | 0...515                                  |
| 2056                                  | 0...685                                  |

**10.1.4 Network interface**

| <i>Parameter</i>    | <i>Description</i>         |
|---------------------|----------------------------|
| Transmission rate   | 10/100 Mbit/s              |
| Transmission medium | UTP 10/100BASE-T           |
| Standard            | Ethernet ISO/IEC 8802-3    |
| Bridge              | IEEE-802.1d                |
| Encapsulation       | RFC1483, RFC2364, RFC2516  |
| Routing             | RIP1, RIP2, static routing |
| Protocols           | NAT, PPP, PAP/CHAP, DHCP   |

**10.2 Power supply**

| <i>Parameter</i>                        | <i>Description</i>                           |
|---|--|
| Input direct current voltage range      | 38...72 Volt<br>(12 Volt for MDS921AE-10BTS) |
| Input alternating current voltage range | 230 Volt +/- 10%, 40..60 Hz                  |
| Power consumption                       | ≤ 10 Watt                                    |

**10.2.1 Protection against dangerous affects**

The protection of the equipment against dangerous interfering affects meets the requirements of ITU-U K.20/K.21



### 10.2.2 Surge safety

| <i>Parameter</i>   | <i>Description</i>   | <i>Note</i>                       |
|--|--|-----------------------------------|
| The resistance between the ground terminal and isolated parts of the device                | $\leq 0,1 \text{ Ohm}$   |                                   |
| Insulation resistance of the device electrical circuit                                     | $\geq 20 \text{ MOhm}$ (normal climatic conditions)<br>$\geq 5 \text{ MOhm}$ (high temperature)<br>$\geq 1 \text{ MOhm}$ (high humidity) |                                   |
| Test voltage for ungrounded electrical circuit relative to the case of the device          | 500 V (amplitude, normal climatic conditions)<br>300 V (amplitude, high humidity)  |                                   |
| Test voltage of isolation of electrical circuit, galvanically disconnected with the ground | 500 V (amplitude, normal climatic conditions)<br>300 V (amplitude, high humidity)  | Without discharge within 1 minute |
| Test voltage of 50 Hz accepted by the line interface                                       | $> 2000 V_{\text{rms}}$ relative to ungrounded device elements<br>$> 1500 V_{\text{rms}}$ relative to grounded device elements           | Within 2 s                        |

### 10.3 10.3 Climatic conditions

The units are engineered to operate in the following climatic conditions:

- air temperature  $-30 \dots +75^{\circ}\text{C}$ ;
- relative air humidity 95% at  $25^{\circ}\text{C}$ .

The equipment preserves all its characteristics at 450 Torr (60 KPa)

The storage conditions:  $-50 \dots +75^{\circ}\text{C}$ .

The equipment can withstand all means of transport (including airplanes), i.e. it withstands the 90-Torr (12 KPa) atmospheric pressure at  $-75^{\circ}\text{C}$ .

### 10.4 10.4 Guarantee

The Mean Time Between Failure is not less than  $3 \times 10^4$  hours.

The operating lifetime is no less than 20 years.

*G.SHDSL-ATM Ethernet*

## **10.5 10.5 Physical dimensions**

|                                  |                                 |
|----------------------------------|---------------------------------|
| Stand Alone (dimensions, weight) | 220 mm x 170 mm x 40 mm, 0.5 kg |
| Mini-Rack (dimensions, weight)   | 483 mm x 230 mm x 43.5 mm, 3 kg |
| Sub-Rack (dimensions, weight)    | 233 mm x 220 mm x 30 mm, 1 kg   |

G.SHDSL-ATM Ethernet

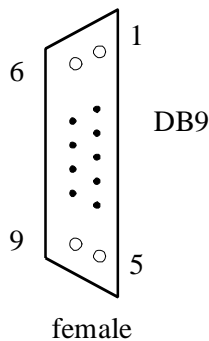
## 11 CONNECTORS' DESCRIPTION

### 11.1 SHDSL connector

Type: RJ-11, 4 pin

| <i>Pin</i> | <i>Signal</i> | <i>Description</i> |
|------------|---------------|--------------------|
| 1          | NC            | –                  |
| 2          | LA,a          | SHDSL pair, tip    |
| 3          | LA,b          | SHDSL pair, ring   |
| 4          | NC            | –                  |

### 11.2 Monitor connector

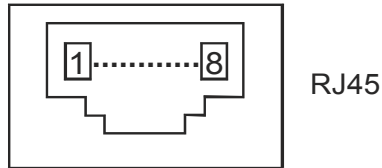


Type: Sub-D9, female

| <i>Pin</i> | <i>Signal</i> | <i>Description</i>                        | <i>Note</i>         |
|------------|---------------|---|---------------------|
| 1          | NC            | –   |                     |
| 2          | TXD           | Transmit data                             |                     |
| 3          | RXD           | Receive data                              |                     |
| 4          | ALACOM        | Common contact of Alarm Relay             | For Mini-Rack units |
| 5          | SGND          | Signal ground                             |                     |
| 6          | DA_NC         | Urgent-Alarm contact, normally closed     | For Mini-Rack units |
| 7          | DA_NO         | Urgent-Alarm contact, normally open       | For Mini-Rack units |
| 8          | ND_NC         | Non Urgent-Alarm contact, normally closed | For Mini-Rack units |
| 9          | ND_NO         | Non Urgent-Alarm contact, normally open   | For Mini-Rack units |

G.SHDSL-ATM Ethernet

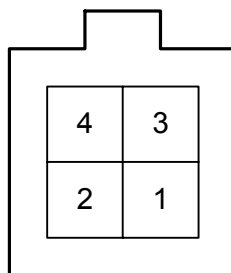
**11.3 Ethernet (10/100Base-T) connector**



Type: RJ-45

| <i>Pin</i> | <i>Description</i> |
|------------|--------------------|
| 1          | Tx+                |
| 2          | Tx-                |
| 3          | Rx+                |
| 4          | NC                 |
| 5          | NC                 |
| 6          | Rx-                |
| 7          | NC                 |
| 8          | NC                 |

**11.4 Power connector (For MDS922AE-10BTS)**



Type: Molex, 4 pin

| <i>Pin</i> | <i>Signal</i> | <i>Description</i>             |
|------------|---------------|--------------------------------|
| 1          | -PWR          | negative power supply terminal |
| 2          | PROT          | Grounding                      |
| 3          | NC            | –                              |
| 4          | +PWR          | positive power supply terminal |

## 12 DESCRIPTION OF INTERFACE CABLES

### 12.1 «Direct» Ethernet cable

The cable contains two pairs:

| <i>Side A</i> | <i>Color</i> | <i>Side B</i> |
|---------------|--------------|---------------|
| 1             | white/orange | 1             |
| 2             | orange/white | 2             |
| 3             | white/blue   | 3             |
| 6             | blue/white   | 6             |

The cable contains four pairs:

| <i>Side A</i> | <i>Color</i> | <i>Side B</i> |
|---------------|--------------|---------------|
| 1             | white/green  | 1             |
| 2             | green/white  | 2             |
| 3             | white/orange | 3             |
| 4             | blue/white   | 4             |
| 5             | white/blue   | 5             |
| 6             | orange/white | 6             |
| 7             | white/brown. | 7             |
| 8             | brown/white  | 8             |

### 12.2 Cross-over Ethernet cable

The cable contains only two pairs:

| <i>Side A</i> | <i>Color</i> | <i>Side B</i> |
|---------------|--------------|---------------|
| 1             | white/orange | 3             |
| 2             | orange       | 6             |
| 3             | white/blue   | 1             |
| 6             | blue         | 2             |

### G.SHDSL-ATM Ethernet

The cable contains four pairs:

| <i>Side A</i> | <i>Color</i> | <i>Side B</i> |
|---------------|--------------|---------------|
| 1             | white/green  | 3             |
| 2             | green        | 6             |
| 3             | white/orange | 1             |
| 4             | blue         | 7             |
| 5             | white/blue   | 8             |
| 6             | orange       | 2             |
| 7             | white/brown  | 4             |
| 8             | brown        | 5             |

### 12.3 Monitor connector

| <i>Device</i> | <i>Computer</i> |              |
|---------------|-----------------|--------------|
| <i>DB9M</i>   | <i>DB9F</i>     | <i>DB25F</i> |
| 2             | 2               | 3            |
| 3             | 3               | 2            |
| 5             | 5               | 7            |

*G.SHDSL-ATM Ethernet*

## **13 DELIVERY SET**

(see the technical passport)

- Typically the delivery set includes:
- SHDSL modem
- AC power adapter (for Stand Alone versions only)
- AC power cable (for MiniRack versions only)
- Ethernet cable
- User Manual (in some cases can be made available on a disk or web site)

## 14 GLOSSARY

### **DSL** (digital subscriber line)

Digital technology that provides high-speed data transmission over physical wiring (twisted pair), used to connect telephones.

### **E1**

Digital data rate of 2048 kbit/s structured according to ITU-T G.704.

### **G.703**

ITU-T standard regulating electrical and mechanical specifications for connections.

### **G.704**

ITU-T standard regulating synchronous structures for the first and second hierarchical layers.

### **G.826**

ITU-T standard regulating errors and norms for digital lines.

### **Hub**

Local network concentrator (repeater) that serves to connect computers and other internetworking equipment to it.

### **IEEE** (Institute of Electrical and Electronics Engineers)

Professional organization whose activities include the development of communications and network standards. In particular, the institute elaborated a group of standards (802) for LANs. ANSI and ISO are members of IEEE.

### **IEEE 802.1d**

IEEE specification for bridges connecting LANs. It describes an algorithm that prevents bridging loops by creating a spanning tree.

### **Internet**

Global internetwork, connecting tens of thousands of national backbone networks and local networks worldwide. Internet uses a set of IP.

### **IP** (Internet Protocol)

Internet network layer protocol. It describes packet routing and device addressing, the standard is used to transmit data units and IP datagrams over networks. IP does not organize connections and guarantee delivery, but provides packet transmission.

### **ISO** (International Organization for Standardization)

International organization that is responsible for the development of a wide range of standards, including those relevant to networking. ISO developed the OSI reference model, defining standards intercommunication.

### **ITU** (International Telecommunication Union)

International body that develops worldwide standards for telecommunications technologies.



### *G.SHDSL-ATM Ethernet*

#### **LAN** (local-area network)

LANs connect workstations, servers, terminals, printers and other devices in a single building or other geographically limited area. LANs use special operating systems to transmit data at high speeds. Several LANs form wide area networks (WAN).

#### **LTU**

Line termination unit.

#### **MSDL** (Multispeed DSL)

Special method of DSL structure, allowing to adapt the information exchange speed and bandwidth frequency of the line signal depending on the line quality and length.

#### **NTU**

Network termination unit.

#### **PVC**

Private virtual circuit.

#### **POTS** (Plain old telephone service)

International term for analog telephone lines.

#### **RJ11**

Four- or six-pin connector, used for telephone connections and fax machines and other types of network analog connections.

#### **RJ45**

Eight-pin connector, used in LANs and data transmission systems.

#### **RS232**

EIA standard for 25-pin (simpler version – 9-pin) interface used to connect computers or terminals with communication equipment (modem, fax, etc.).

#### **SDSL** (Symmetric Digital Subscriber Line)

Symmetrical DSL provides high-speed (0.1...2048 Mbit/s and more) bidirectional transmission over one twisted pair. The transmission rates in both directions are equal.

#### **SNMP** (Simple Network Management Protocol)

Network administration protocol, which is widely used nowadays. The network management is included in the TCP/IP stack.

#### **Splitter**

Devices representing a combination of filters and allowing to transmit analog telephone signals together with digital data.

#### **TDM**

Time Division Multiplexing

#### **SDH**

*G.SHDSL-ATM Ethernet*

Synchronous Digital Hierarchy

**VPI**

Virtual Path Identifier

**VCI**

Virtual Channel Identifier

## 15 EXAMPLE OF NETWORK CONFIGURATION

Consider the following example of router configuration in SA-MDSL-xxx-4Eth-R modems.

Fig. 13 shows the network structure.

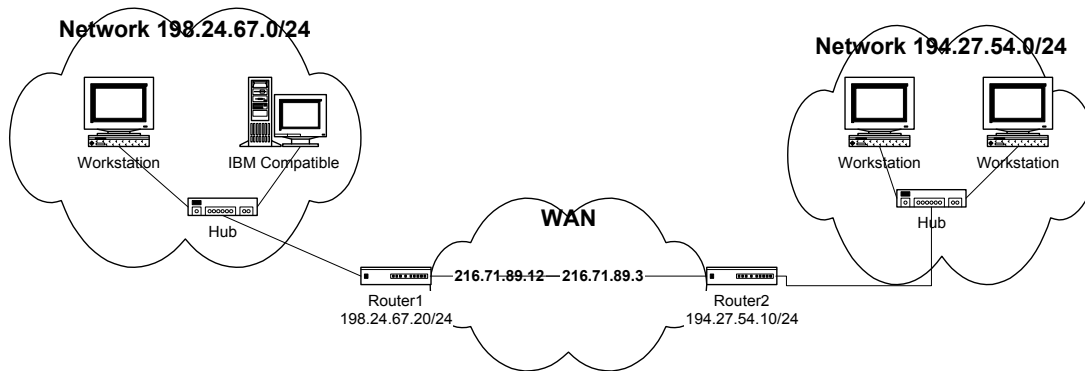
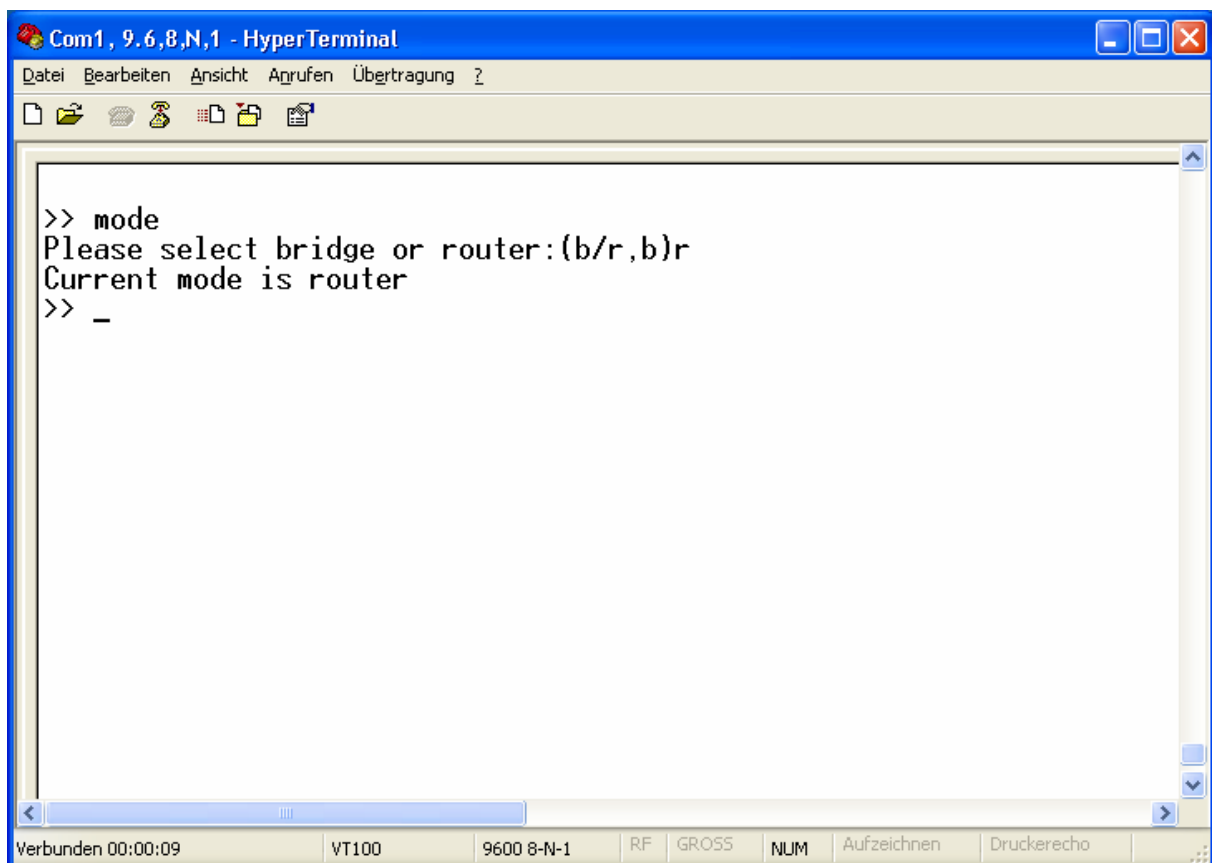


Fig.13 network



```

>> mode
Please select bridge or router:(b/r,b)r
Current mode is router
>> _

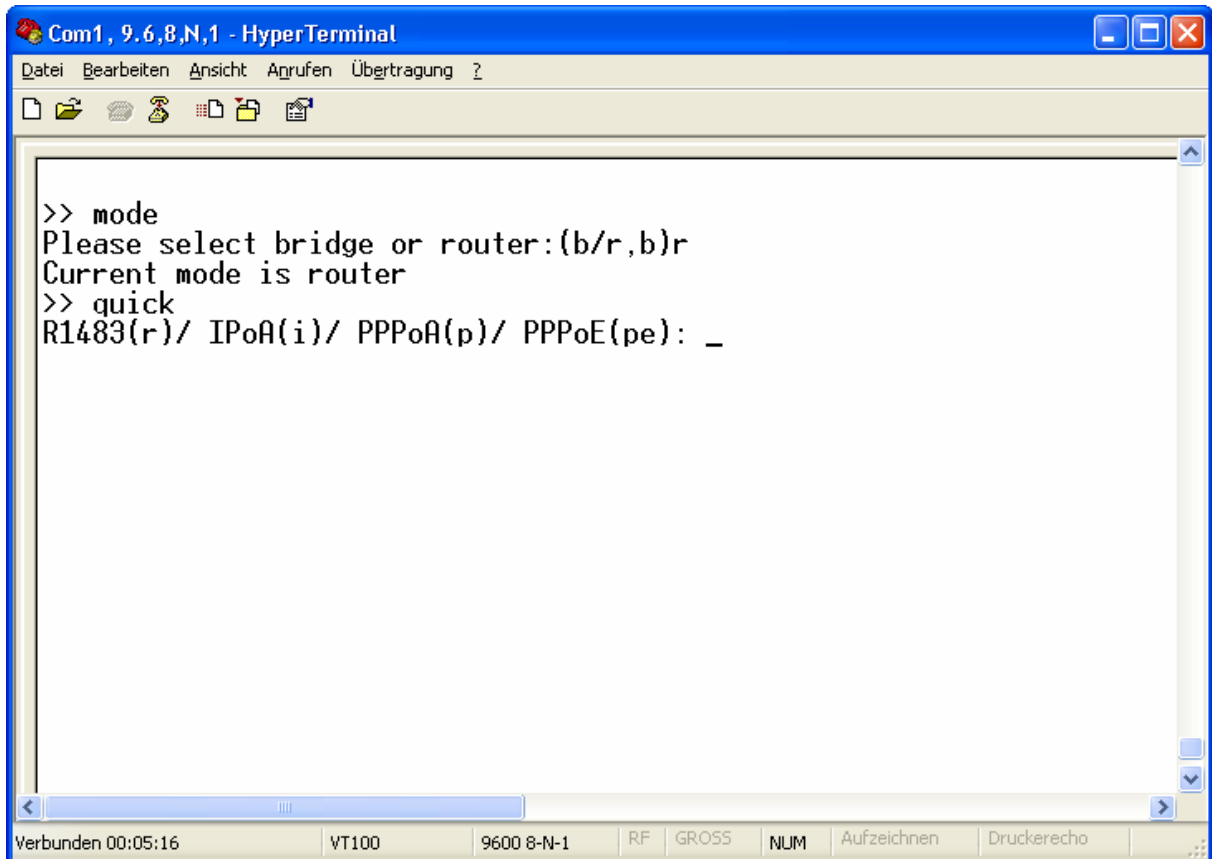
```

With the help of the mode command select the routing mode for the modem. The following message notifies you that the current mode now is router. Then we should configure each of the routers.

## G.SHDSL-ATM Ethernet

**15.1 Router 1 Application**

Type “quick” and press “enter”.

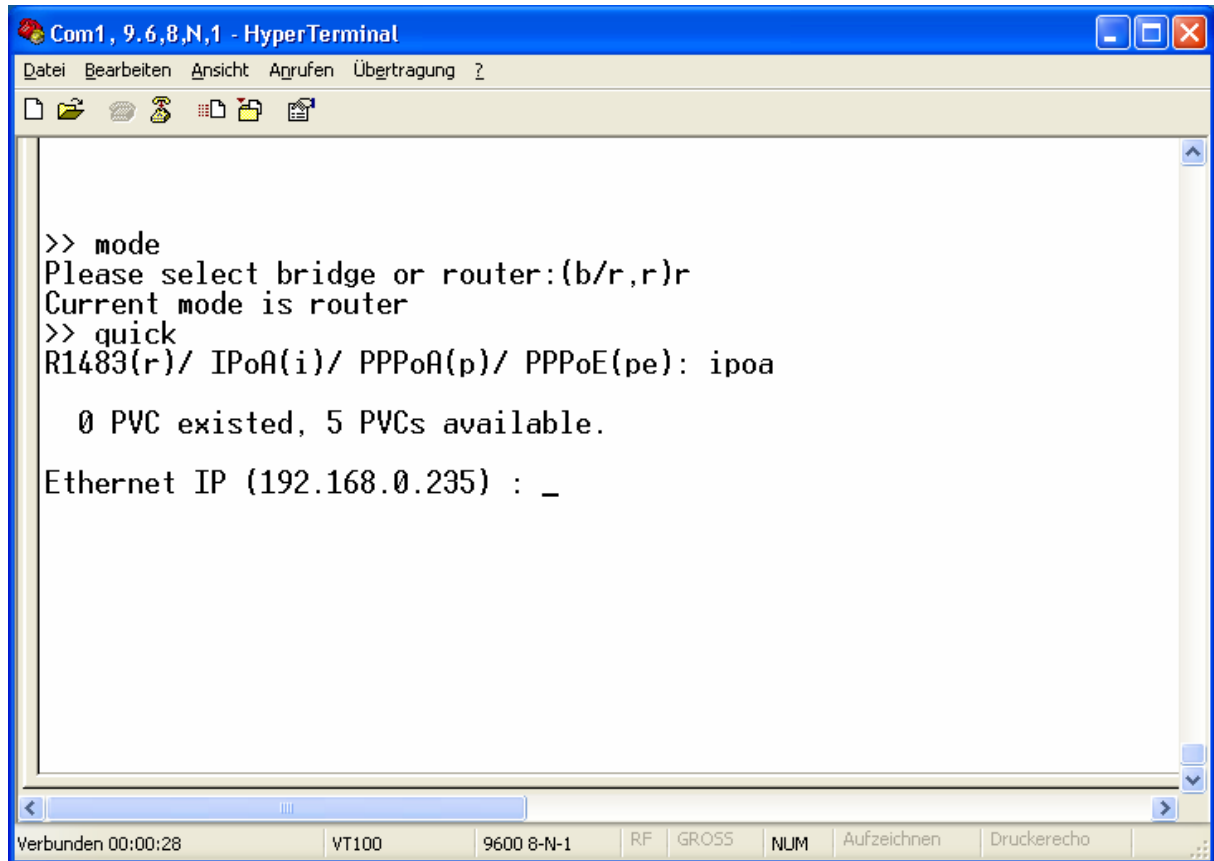
A screenshot of a HyperTerminal window titled "Com1, 9.6,8,N,1 - HyperTerminal". The window shows a terminal session with the following text: ">> mode", "Please select bridge or router:(b/r,b)r", "Current mode is router", ">> quick", and "R1483(r)/ IPoA(i)/ PPPoA(p)/ PPPoE(pe): \_". The status bar at the bottom of the window displays "Verbunden 00:05:16", "VT100", "9600 8-N-1", "RF", "GROSS", "NUM", "Aufzeichnen", and "Druckerecho".

```
>> mode
Please select bridge or router:(b/r,b)r
Current mode is router
>> quick
R1483(r)/ IPoA(i)/ PPPoA(p)/ PPPoE(pe): _
```

When the following message “R1483(r)/lpoA/PPPoA(p)” appear, type “lpoA” and press “enter”.

*G.SHDSL-ATM Ethernet*

Enter the IP address, which will belong to the router. In our case, it is 198.24.67.20 with mask 255.255.255.0.

A screenshot of a HyperTerminal window titled "Com1, 9.6,8,N,1 - HyperTerminal". The window contains a text-based interface for configuring a Cisco router. The text shows the user entering "mode" and "quick", followed by the router's response: "Please select bridge or router:(b/r,r)r", "Current mode is router", "R1483(r)/ IPoA(i)/ PPPoA(p)/ PPPoE(pe): ipoa", and "0 PVC existed, 5 PVCs available.". The prompt "Ethernet IP (192.168.0.235) : \_" is visible at the bottom of the terminal area. The window's status bar at the bottom shows connection details: "Verbunden 00:00:28", "VT100", "9600 8-N-1", "RF", "GROSS", "NUM", "Aufzeichnen", and "Druckerecho".

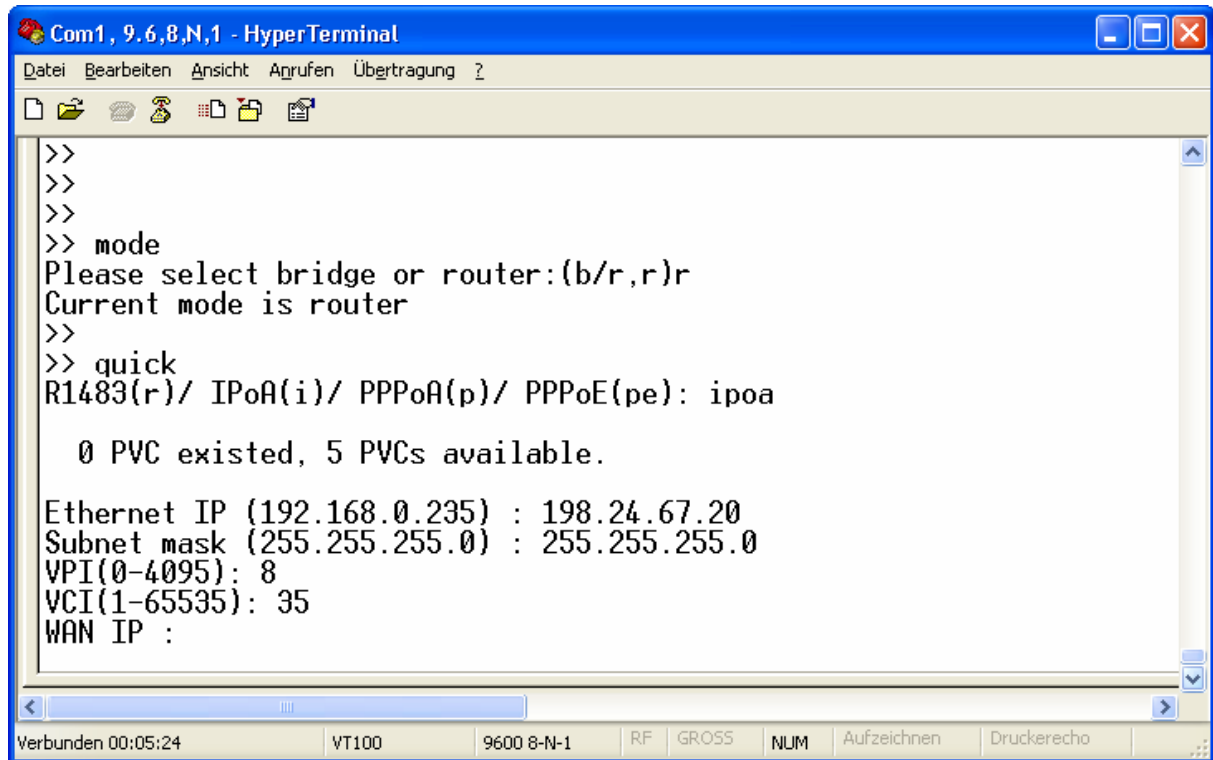
```
Com1, 9.6,8,N,1 - HyperTerminal
Datei Bearbeiten Ansicht Anrufen Übertragung ?
>> mode
Please select bridge or router:(b/r,r)r
Current mode is router
>> quick
R1483(r)/ IPoA(i)/ PPPoA(p)/ PPPoE(pe): ipoa

  0 PVC existed, 5 PVCs available.

Ethernet IP (192.168.0.235) : _
Verbunden 00:00:28    VT100    9600 8-N-1    RF    GROSS    NUM    Aufzeichnen    Druckerecho
```

## G.SHDSL-ATM Ethernet

The system requires to enter VPI and VCI. Type 8 and then press “enter” after it, type 35, and press “enter”.



```
Com1, 9.6,8,N,1 - HyperTerminal
Datei Bearbeiten Ansicht Anrufen Übertragung ?
>>
>>
>>
>> mode
Please select bridge or router:(b/r,r)r
Current mode is router
>>
>> quick
R1483(r)/ IPoA(i)/ PPPoA(p)/ PPPoE(pe): ipoa

 0 PVC existed, 5 PVCs available.

Ethernet IP (192.168.0.235) : 198.24.67.20
Subnet mask (255.255.255.0) : 255.255.255.0
VPI(0-4095): 8
VCI(1-65535): 35
WAN IP :
```

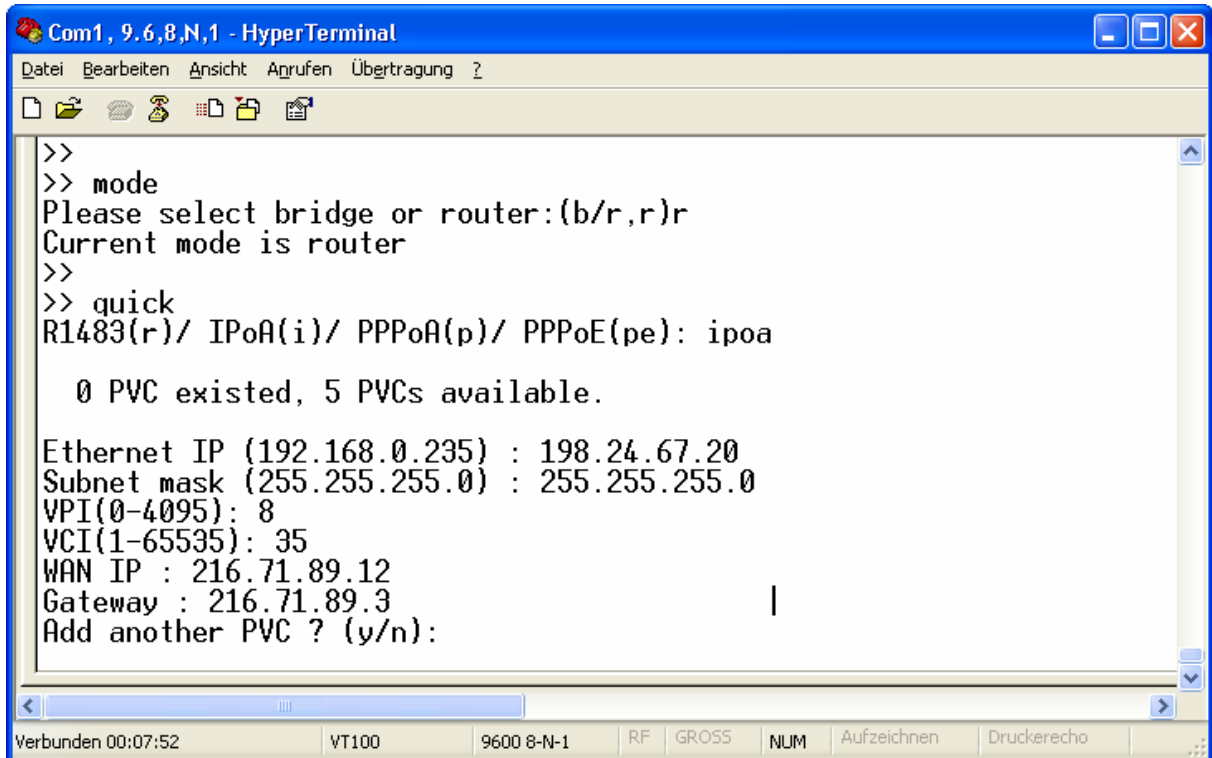
On request “WANIP” it is necessary to enter the interface IP address through which the connection with another router occurs. In our case, it is 216.71.89.12.

Then the router requires to enter the gateway address to which all packets that belong to unknown networks will be sent (198.24.67.0).

In this case, router 2 will be this gateway.

## G.SHDSL-ATM Ethernet

Enter 216.71.89.3.



```

Com1, 9.6,8,N,1 - HyperTerminal
Datei Bearbeiten Ansicht Anrufen Übertragung ?
[Icons]
>>
>> mode
Please select bridge or router:(b/r,r)r
Current mode is router
>>
>> quick
R1483(r)/ IPoA(i)/ PPPoA(p)/ PPPoE(pe): ipoa

  0 PVC existed, 5 PVCs available.

Ethernet IP (192.168.0.235) : 198.24.67.20
Subnet mask (255.255.255.0) : 255.255.255.0
VPI(0-4095): 8
VCI(1-65535): 35
WAN IP : 216.71.89.12
Gateway : 216.71.89.3
Add another PVC ? (y/n):
  
```

Verbunden 00:07:52    VT100    9600 8-N-1    RF    GROSS    NUM    Aufzeichnen    Druckerecho

**Note!** IP addresses of WAN interfaces must be in the address field of one network.

In our case this is network 216.71.89.0 with mask 255.255.255.0.

After it, on request to add next PVC, type “n” and press “enter”. Then save the configuration, and restart the modem.

## 15.2 Router 2 Application

The configuration of router 2 will differ only when we enter the IP address of the router, wan interface and gateway.

On request of the router to enter:

Ethernet IP:

Subnet mask (0.0.0.0) :

it is necessary to enter:

### G.SHDSL-ATM Ethernet

Ethernet IP: 198.27.54.10

Subnet mask (0.0.0.0): 255.255.255.0

On request of the router to enter:

WAN IP:

Gateway:

it is necessary to enter:

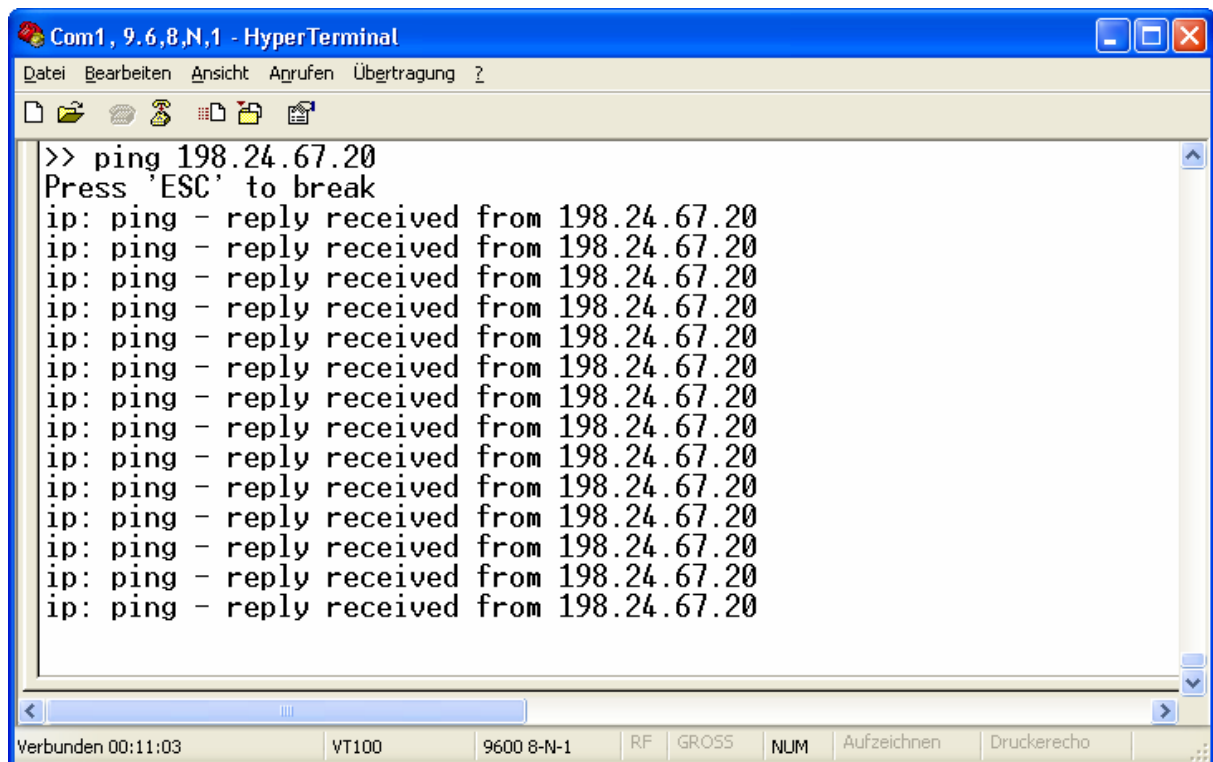
WAN IP: 216.71.89.3

Gateway: 216.71.89.12

Now it is necessary to reinitialize router 2.

After restart of the system, let us check operability of the created network.

Enter the command "ping 198.24.67.20 on router 2

A screenshot of a HyperTerminal window titled "Com1, 9.6,8,N,1 - HyperTerminal". The window shows a command prompt where the user has entered the command ">> ping 198.24.67.20". The output shows 14 successful ping replies, each stating "ip: ping - reply received from 198.24.67.20". The window also displays a menu bar with options like "Datei", "Bearbeiten", "Ansicht", "Anrufen", and "Übertragung". At the bottom, there is a status bar with information such as "Verbunden 00:11:03", "VT100", "9600 8-N-1", "RF", "GROSS", "NUM", "Aufzeichnen", and "Druckerecho".

```
>> ping 198.24.67.20
Press 'ESC' to break
ip: ping - reply received from 198.24.67.20
ip: ping - reply received from 198.24.67.20
ip: ping - reply received from 198.24.67.20
ip: ping - reply received from 198.24.67.20
ip: ping - reply received from 198.24.67.20
ip: ping - reply received from 198.24.67.20
ip: ping - reply received from 198.24.67.20
ip: ping - reply received from 198.24.67.20
ip: ping - reply received from 198.24.67.20
ip: ping - reply received from 198.24.67.20
ip: ping - reply received from 198.24.67.20
ip: ping - reply received from 198.24.67.20
ip: ping - reply received from 198.24.67.20
ip: ping - reply received from 198.24.67.20
```

The configuration is completed successfully.