

LCD FLOW CHART - DATALINK V.32 SERIES

Datalink V.32M • Datalink 14.4K

- SETUP OPTIONS -

Press ENT one or more times to access the MAIN MENU.

Use arrow pushbuttons to move between numbered screens. Use pushbuttons 1, 2 and 3 to make selections from the front panel display. Available selections appear on the second line of the display. Press ENT to move upward through the flow chart.

Select QUICK (from either indicated screen) to access the Datalink Quick Setup feature. Then select one of the 14 Quick Setups to automatically set up the modem according to a factory-preset configuration. Use the arrow pushbuttons to cycle through the Quick Setup selections; press 2 to select the currently displayed Quick Setup. The Quick Setups are listed and described in the *Instruction Manual*, in chapter 1, table 1-1.

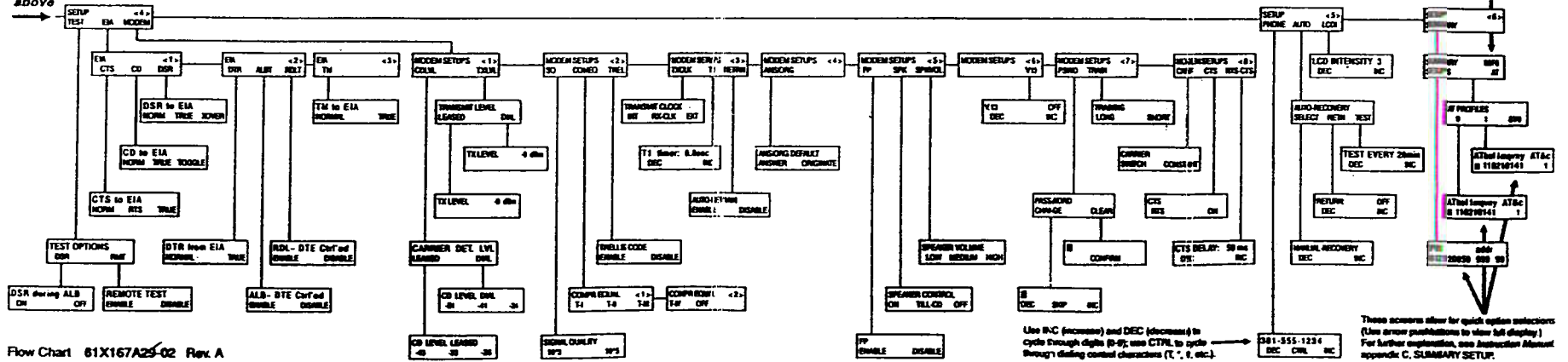
* See reverse side of chart.

In Hayes mode, autohand overrides the DTE SPEED setting.

Continued below

Continued from above

Checksum. If this number changes, at least one option has been changed.



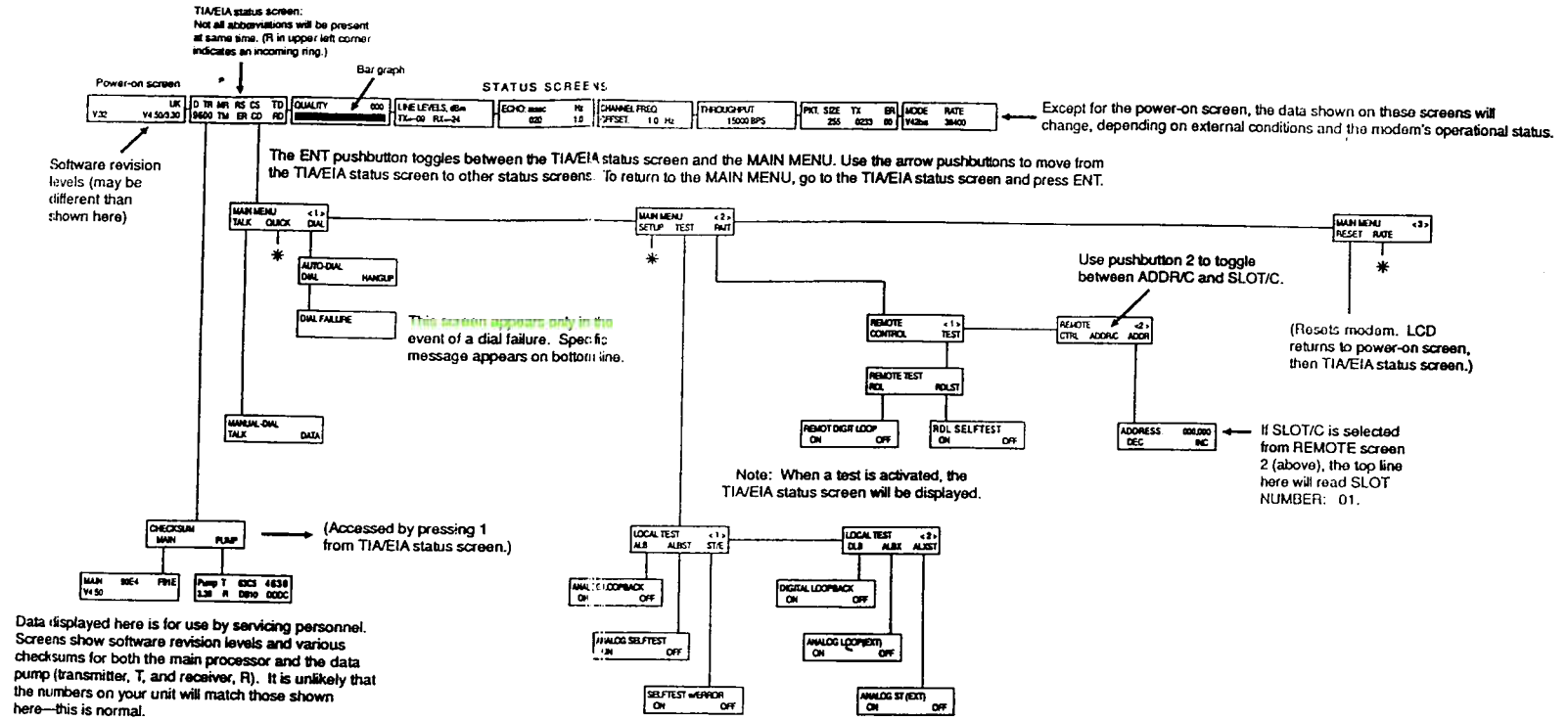
Use INC (increase) and DEC (decrease) to cycle through digits (0-9); use CTRL to cycle through dialing control characters (T, *, 0, etc.).

These screens allow for quick option selections (Use arrow pushbuttons to view left display). For further explanation, see Instruction Manual appendix C, SUMMARY SETUP.

LCD FLOW CHART – DATALINK V.32 SERIES

Datalink V.32M • Datalink 14.4K

– DIAGNOSTIC AND CONTROL FUNCTIONS –



* See reverse side of chart.