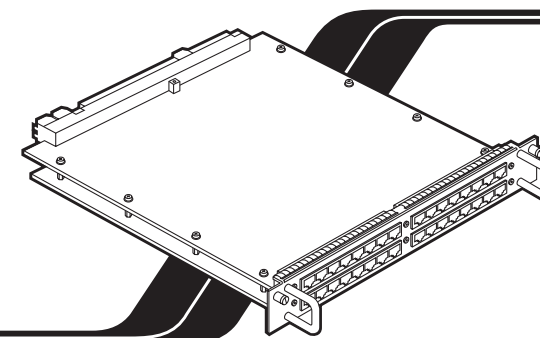


Receive Module for ServSwitch™ Multi Hub



Receive Modules (product code KV1702C) and their companion Transmit Modules (KV1701C) are the components of the ServSwitch Multi Hub (KV170RA) that handle its communication with other ServSwitch Multi units. Here's how to configure and install your Receive Module:

1. First—before you do anything else—*plan your layout*. Figure out which of your ServSwitch Multi system's Transmit-Card ports you want to connect to the Receive Module's ports. You might want to refer to the sample layouts in the chapter about the Hub in the manual for the ServSwitch Multi system. If you're not sure what the best arrangement of cable connections would be, please call Black Box Technical Support. (We strongly encourage you to call Black Box Tech Support anyway, to discuss your application, before you perform *any* large or complex ServSwitch Multi installation.)
2. *If you are installing this Module at the same time you install the Hub*: If you haven't done so already, install the fan assemblies and power supplies in your Hub. Plug in the power supplies and turn them ON.

NOTE

Make sure you set the Hub's chassis ID before you make cable connections from any Module installed in this Hub to any CAT5 Expansion Cards in other ServSwitch Multi units! Refer to the chapter about the Hub in your ServSwitch Multi manual for instructions on how to do this.

BLACK BOX and the  logo are registered trademarks, and ServSwitch and ServSwitch Multi are trademarks, of Black Box Corporation. Any other trademarks mentioned in this manual are the property of their respective owners.

© Copyright 2000. Black Box Corporation. All rights reserved.

Doc. No. 590-156-001 Rev. A

CUSTOMER SUPPORT INFORMATION

Order **toll-free** in the U.S.: Call **877-877-BBOX** (outside U.S. call **724-746-5500**)
FREE technical support 24 hours a day, 7 days a week: Call **724-746-5500** or fax **724-746-0746**
Mailing address: **Black Box Corporation**, 1000 Park Drive, Lawrence, PA 15055-1018
Web site: www.blackbox.com • E-mail: info@blackbox.com

CUSTOMER SUPPORT INFORMATION

Order **toll-free** in the U.S.: Call **877-877-BBOX** (outside U.S. call **724-746-5500**)
FREE technical support 24 hours a day, 7 days a week: Call **724-746-5500** or fax **724-746-0746**
Mailing address: **Black Box Corporation**, 1000 Park Drive, Lawrence, PA 15055-1018
Web site: www.blackbox.com • E-mail: info@blackbox.com

NOTE

If it will be easier for you to configure the Receive Module while you're looking at cables you've already installed, feel free to attach your expansion cables to the Module (refer to step 4) before you do step 3.

- Next you will need to configure the DIP switches on your Receive Module. The Module has sixteen dual-RJ-45 Receive ports on it, numbered 1 through 16 from left to right, as shown in Figure 3 on the next page. Each port has three two-position DIP switches that you need to set for the length of the Category 5 cable that will be attached to the port. The locations of these DIP switches are shown in Figure 1, and their possible settings are shown in Figure 2 on the next page. For any given Receive port, leave all of the switch positions set to OFF if the cable you'll be attaching to that port isn't more than 125 ft. (38.1 m) long. If the cable is longer than 125 ft. (38.1 m) but *not* more than 225 ft. (68.6 m), move the left-hand position in each switch to ON. If the cable is longer than 225 ft. (68.6 m), up to the Switch's maximum supported CAT5 expansion-cable length of 250 ft. (76.2 m), move all of the switch positions to ON.

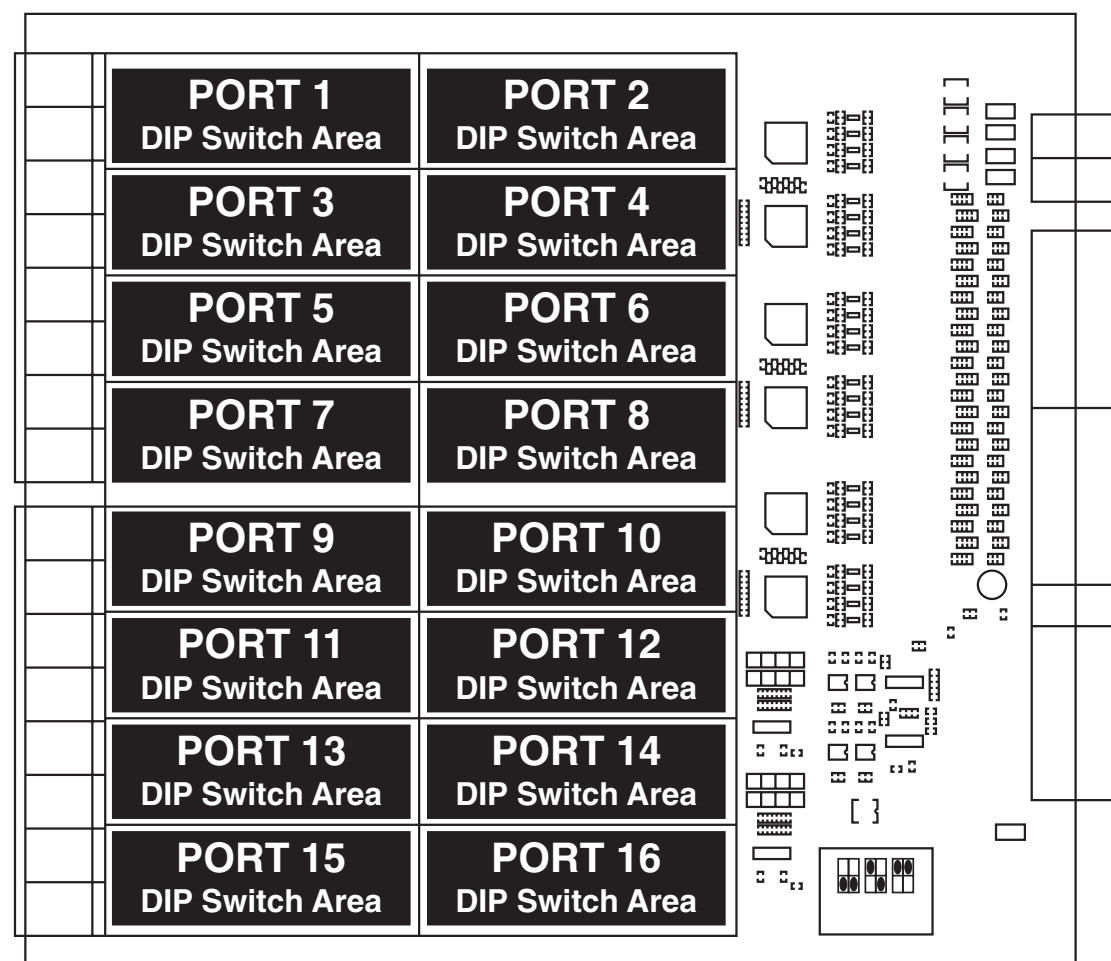


Figure 1. The DIP-switch areas on the Receive Module's circuit board.

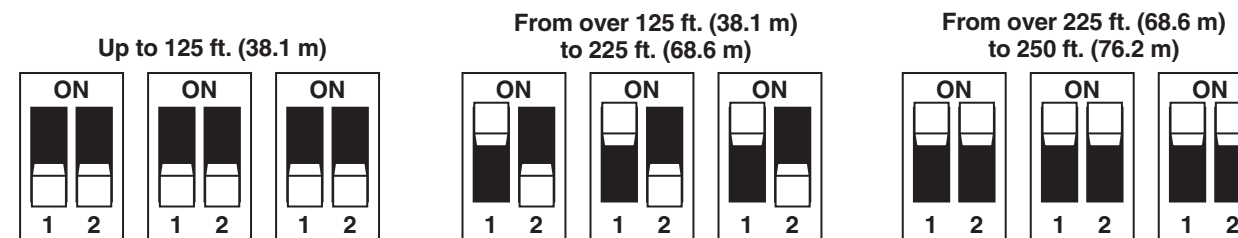


Figure 2. The Receive Module's possible DIP-switch settings.

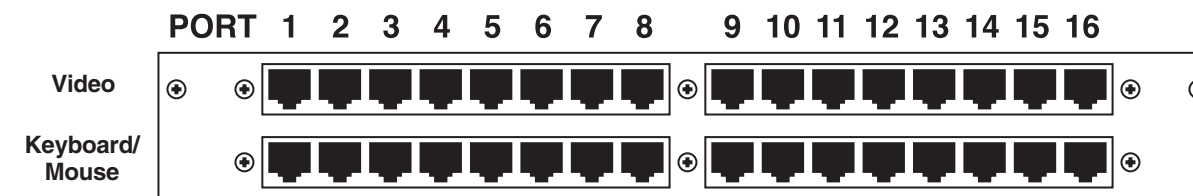


Figure 3. The port layout of the Receive Module.

- Remove the blanking plate on the Hub's rear panel that covers the slot you want to install your Receive Module in. Gently slide your Module into the Hub's chassis and tighten the retaining screws.
- Lastly, referring to the layout you should have planned in step 1, run Category 5 cables between the ports on the Receive Module and the ports on the CAT5 Transmit Cards in the other ServSwitch Multi units in your system. For each Module-port/Card-port pair that you want to interconnect, one cable should connect the Module port's video connector (the upper of its two RJ-45s) with the Card port's video connector (the lowest of its three RJ-45s); a second cable should connect the Module port's keyboard/mouse connector (the lower of its two RJ-45s) with the Card port's keyboard/mouse connector (the middle of its three RJ-45s). Don't make any connections to the Card port's multimedia (serial/audio) connector (the uppermost of its three RJ-45s); the Hub doesn't carry multimedia signals.

The Receive Module should now be ready for continuous operation, as soon as you update the configuration of the rest of your ServSwitch Multi system. Refer to your ServSwitch Multi system's manual for information about operating the ServSwitch Multi Hub and the rest of your ServSwitch Multi system.