

5. Installing or Swapping In an Expansion Card

Unscrew and remove any blank plate over the opening of the top slot or (on 16-user Affinity chassis) the bottom slot.

4-User Affinity only: Gently remove any terminator card installed in the slot. (Several things to note: You should always have a plate covering this slot when a terminator card is in it. If there is a plate, you can save it if you want to, but you shouldn't need it any more; the expansion card has its own termination circuitry, so you wouldn't normally ever have to replace it with a terminator card, even if you operate the Affinity by itself. You should never leave the Affinity without any card at all installed in this slot, because the unit will be totally disabled.)

Carefully slide the expansion card into the vacant slot, as shown in Figure 5, and screw it on securely. (The Expansion Card must be installed in an expansion slot, not in any of the four port-card slots.) Run expansion cables from the IN and OUT ports of this card to your other Affinity units; refer to the "Installation Procedure" section of your ServSwitch Affinity manual.

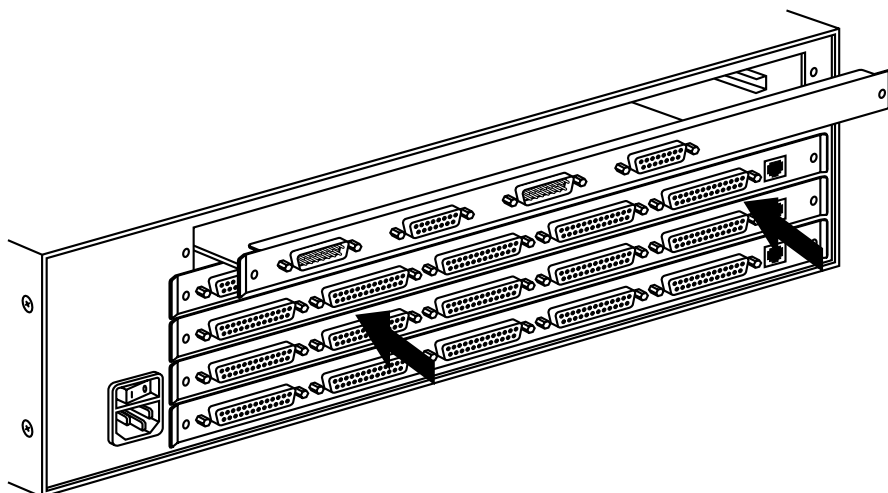


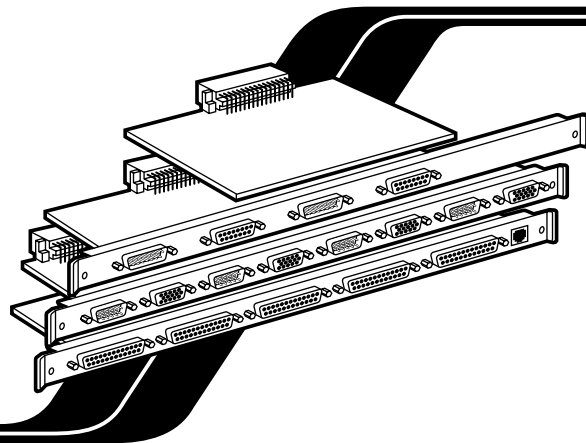
Figure 5. Installing an expansion card (4-port card and 4-user chassis shown).

Any trademarks mentioned in this document are acknowledged to be the property of the trademark owners.

© Copyright 2003. Black Box Corporation. All rights reserved.



ServSwitch Affinity Cards



Thank you for purchasing this component card for the ServSwitch™ Affinity. If your card is a Port Card (product code KV1300C or KV1301C-R2), see below for installation instructions. If your card is a Terminator Card (KV1304C), see page 2 for installation instructions. If your card is an Expansion Card (KV1305C or KV1306C), see page 3 for instructions on setting the card's jumper(s) and the last page for installation instructions.

1. Adding a Port Card

Unscrew and remove the blank plate covering the vacant port-card slot you want to put the card in. (Port cards can only be installed in the four port-card slots, not the top expansion slot or—on 16-User Affinity chassis—the bottom expansion slot.) Slide the card into the exposed slot, as shown in Figure 1, and screw it on securely. Use CPU cables and (if it's a 1 x 4 card) a user cable to attach your equipment as desired; refer to the "Installation Procedure" section of your ServSwitch Affinity manual.

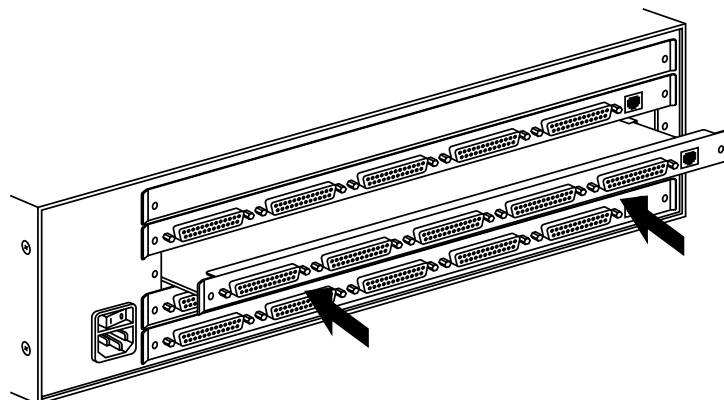


Figure 1. Installing a port card.

2. Installing or Swapping In a Terminator Card (4-User Chassis Only)

If, prior to this, someone has taken the formerly installed card out of the top slot of a 4-user model of the ServSwitch Affinity and left nothing in its place—which should never be done, because it leaves the Affinity totally disabled—do this as your first step: If there’s a blank plate over the slot, unscrew and remove—but don’t discard—the plate. If instead you are swapping the terminator card for an expansion card currently installed in the slot, your first step should be to unscrew the expansion card and gently remove it from the slot.

Now, in either case, proceed as follows: Carefully push the terminator card into the now-vacant slot, as shown in Figure 2. (The terminator card must be installed in this top slot, not any of the other four slots.) Once the terminator card is firmly seated, replace this slot’s blank plate. (If you lose the plate, you’ll need to order a new one; our product code for just the plate is KV1300BP.)

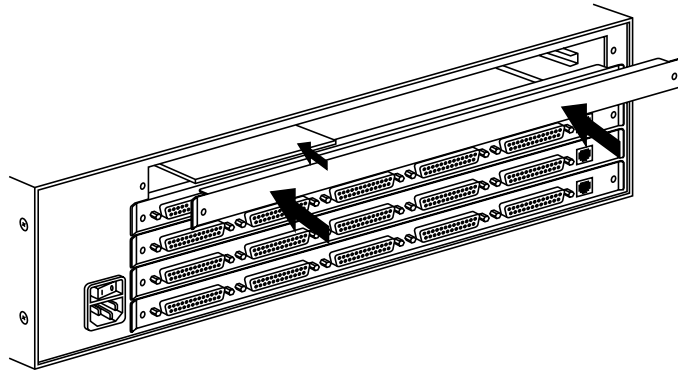


Figure 2. Installing a terminator card.

3. Setting the RING/BUS Jumper on an Expansion Card

If you’ll be installing two or more ServSwitch Affinity units in a ring topology (see the “Topologies” section of your ServSwitch Affinity manual)—which you *must* do to let all users access all CPUs if any of the units are 8- or 16-user models—you will need to set the RING/BUS jumpers to the RING (off) setting on the expansion cards of any two adjacent Affinity units in the ring (units one and two, or two and three, or three and four, etc.). As shown in Figure 3 and in Figure 4 on the next page, the RING/BUS jumper is just behind the OUT-1 port. On 4-user cards, it’s factory-set to BUS (the jumper covers both posts), which is the appropriate setting for the regular bus and split-bus topologies. (At the time of this writing, it’s also factory-set to BUS on 8-user cards, but this might change in the future.) Set the jumper to RING by moving it so that it covers just one of the posts and leaves the other open. (You could just remove the jumper entirely, but it’s a better idea to leave it “hanging” on one post so it can be easily set back to BUS if your system topology changes.) Do *not* set this jumper to RING on only one unit, on more than two units, or on units that are not adjacent (that is, not directly linked with expansion cables).

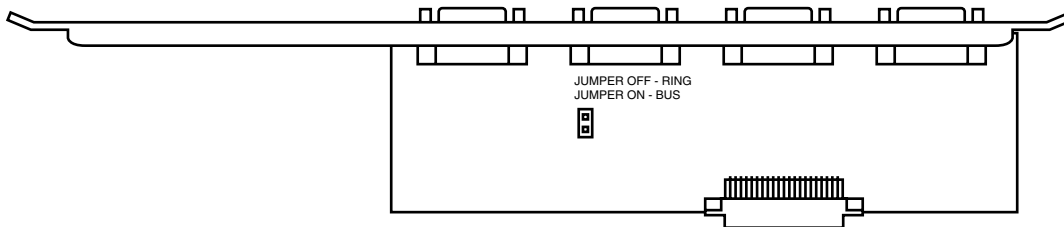


Figure 3. The RING/BUS jumper.

4. Setting the JP1 and JP2 (User-Number) Jumpers on an 8-Port Expansion Card

The 8-Port Expansion Card (KV1306C) for the 8-User and 16-User ServSwitch Affinity models (KV138A and KV139A) has two jumpers labeled JP1 and JP2, as shown in Figure 4, that control the numbering of an Affinity chassis' user ports.

4.1 SETTING JP1 AND JP2 ON A CARD THAT WILL BE INSTALLED IN AN 8-USER AFFINITY

If the card is going into an 8-user Affinity chassis, follow the directions printed on the card's circuit board for the "lower" card, even though there is only one card and its slot is at the top of the chassis:

- Set JP1 and JP2 both to the DOWN position if you want the Affinity system to recognize any user on slot (port card) 1 as "KVM 1," any user on slot (port card) 2 as "KVM 2," and so on. (This is the default setting.)
- Set JP1 and JP2 both to the UP position if you want the Affinity system to recognize any user on slot 1 as "KVM 5," any user on slot 2 as "KVM 6," and so on.

We recommend that, unless the placement of your user equipment demands otherwise, you set the user ports to KVM 1 through 4 on your first 8-User Affinity chassis, KVM 5 through 8 on your second chassis, KVM 1 through 4 again on your third chassis, KVM 5 through 8 again on your fourth chassis, and so on.

4.2 SETTING JP1 AND JP2 ON A PAIR OF CARDS THAT WILL BE INSTALLED IN A 16-USER AFFINITY

If a pair of cards is going into a 16-user Affinity chassis, follow the directions printed on the cards' circuit boards:

- To assign the users on the chassis' slots (port cards) 1 through 4 to "KVM 1" through "KVM 4" respectively, set JP1 and JP2 on the "lower card" (the one you'll install in the bottom slot) to the DOWN position and remove the jumpers from JP1 and JP2 on the "upper card" (the one you'll install in the top slot).
- To assign the users on slots 1 through 4 to "KVM 5" through "KVM 8," set JP1 and JP2 on the lower card to UP and remove the jumpers from JP1 and JP2 on the upper card.
- To assign the users on slots 1 through 4 to "KVM 9" through "KVM 12," remove JP1 and JP2 on the lower card and set JP1 and JP2 on the upper card to DOWN.
- To assign the users on slots 1 through 4 to "KVM 13" through "KVM 16," remove JP1 and JP2 on the lower card and set JP1 and JP2 on the upper card to UP.

We recommend that, unless the placement of your user equipment demands otherwise, you set the user ports to KVM 1 through 4 on your first 16-user Affinity chassis, KVM 5 through 8 on your second chassis, KVM 9 through 12 on your third chassis, KVM 13 through 16 on your fourth chassis, KVM 1 through 4 again on your fifth chassis, and so on.

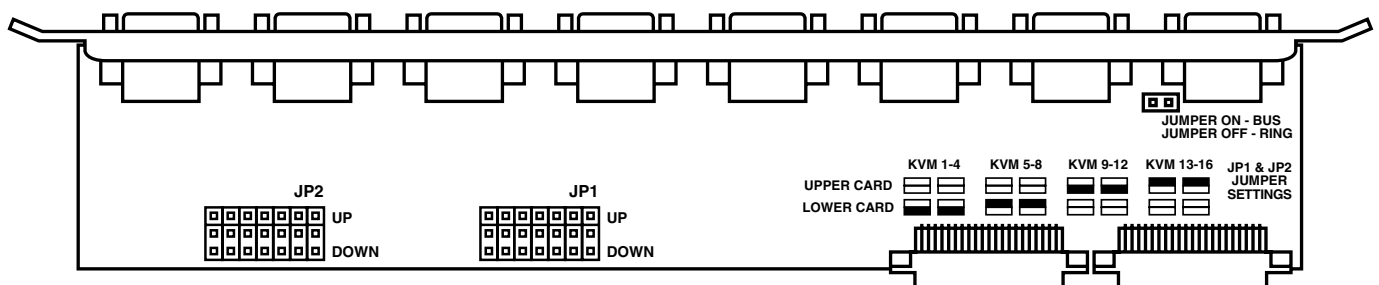


Figure 4. User-port-numbering jumpers JP1 and JP2.