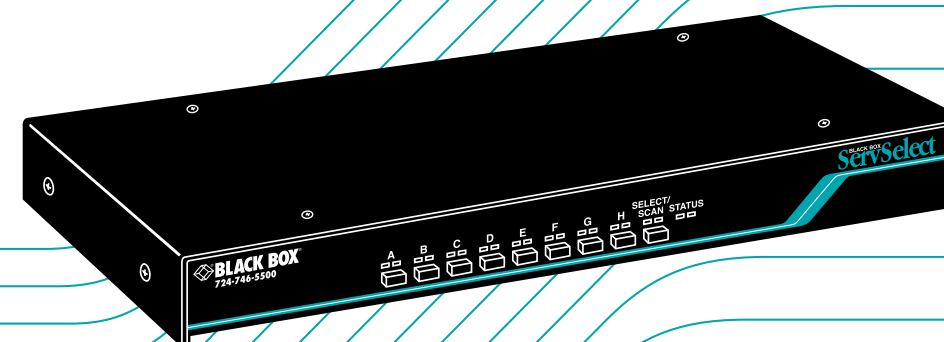


FEBRUARY 1999

# BLACK BOX<sup>®</sup> ServSwitch<sup>™</sup>

 **BLACK BOX**<sup>®</sup>  
NETWORK SERVICES



KV104A-R3  
KV108A-R3

**Customer Support Information:**

For FREE Technical Support 24 hours a day, 7 days a week, call 724-746-5500.  
Address: 1000 Park Dr., Lawrence, PA 15055-1018 • Phone: 724-746-5500 • Fax: 724-746-0746  
World-Wide Web: [www.blackbox.com](http://www.blackbox.com) • E-mail: [info@blackbox.com](mailto:info@blackbox.com)  
© Copyright 1999, Black Box Corporation. All rights reserved.

 **BLACK BOX**<sup>®</sup>  
NETWORK SERVICES

# Welcome to the ServSwitch™ Family!

Thank you for purchasing a BLACK BOX® ServSwitch™ Brand KVM switch! We appreciate your business, and we think you'll appreciate the many ways that your new ServSwitch keyboard/video/mouse switch will save you money, time, and effort.

That's because our ServSwitch family is all about breaking away from the traditional, expensive model of computer management. You know, the one-size-fits-all-even-if-it-doesn't model that says, "One computer gets one user station, no more, no less." Why not a single user station (monitor, keyboard, and mouse) for multiple computers—even computers of different platforms? Why not a pair of user stations, each of which can control multiple computers? Why not multiple user stations for the same computer?

With our ServSwitch products, there's no reason why not. We carry a broad line of robust solutions for all these applications. Do you have just two PCs, and need an economical alternative to keeping two monitors, keyboards, and mice on your desk? Or do you need to share dozens of computers, including a mix of IBM® PC, RS/6000®, Apple® Macintosh®, Sun Microsystems®, and SGI® compatibles among multiple users with different access levels? Does your switch have to sit solidly on a worktable and use regular everyday cables? Or does it have to be mounted in an equipment rack and use convenient many-to-one cables? No matter how large or small your setup is, no matter how simple or how complex, we're confident we have a ServSwitch system that's just right for you.

The ServSwitch™ family from Black Box—the one-stop answer for all your KVM-switching needs!


\*

This manual will tell you all about your new ServSelect™ unit, including how to install, operate, and troubleshoot it. For an introduction to the ServSelect, see **Chapter 2**. The ServSelect product codes covered in this manual are:

**KV104A-R3**

**KV108A-R3**

**TRADEMARKS USED IN THIS MANUAL**

BLACK BOX and the  logo are registered trademarks, ServSwitch and ServSwitch Miscellaneous are trademarks, and “The World’s Source for Connectivity” is a service mark, of Black Box Corporation.

Apple and Macintosh are registered trademarks of Apple Computer, Inc.

IBM, PC/AT, PS/2, and RS/6000 are registered trademarks, and PC/XT is a trademark, of International Business Machines Corporation.

Logitech is a trademark of Logitech, Inc.

Microsoft and Windows are registered trademarks, and IntelliMouse is a trademark, of Microsoft Corporation.

SGI is a registered trademark of Silicon Graphics, Inc.

Sun Microsystems is a registered trademark of Sun Microsystems, Inc.

*Any other trademarks mentioned in this manual are acknowledged to be the property of the trademark owners.*

**FEDERAL COMMUNICATIONS COMMISSION  
AND  
INDUSTRY CANADA  
RADIO FREQUENCY INTERFERENCE STATEMENTS**

This equipment generates, uses, and can radiate radio frequency energy and if not installed and used properly, that is, in strict accordance with the manufacturer's instructions, may cause interference to radio communication. It has been tested and found to comply with the limits for a Class A computing device in accordance with the specifications in Subpart J of Part 15 of FCC rules, which are designed to provide reasonable protection against such interference when the equipment is operated in a commercial environment. Operation of this equipment in a residential area is likely to cause interference, in which case the user at his own expense will be required to take whatever measures may be necessary to correct the interference.

Changes or modifications not expressly approved by the party responsible for compliance could void the user's authority to operate the equipment.

*This digital apparatus does not exceed the Class A limits for radio noise emission from digital apparatus set out in the Radio Interference Regulation of Industry Canada.*

*Le présent appareil numérique n'émet pas de bruits radioélectriques dépassant les limites applicables aux appareils numériques de la classe A prescrites dans le Règlement sur le brouillage radioélectrique publié par Industrie Canada.*

## **NORMAS OFICIALES MEXICANAS (NOM) ELECTRICAL SAFETY STATEMENT**

### **INSTRUCCIONES DE SEGURIDAD**

1. Todas las instrucciones de seguridad y operación deberán ser leídas antes de que el aparato eléctrico sea operado.
2. Las instrucciones de seguridad y operación deberán ser guardadas para referencia futura.
3. Todas las advertencias en el aparato eléctrico y en sus instrucciones de operación deben ser respetadas.
4. Todas las instrucciones de operación y uso deben ser seguidas.
5. El aparato eléctrico no deberá ser usado cerca del agua—por ejemplo, cerca de la tina de baño, lavabo, sótano mojado o cerca de una alberca, etc..
6. El aparato eléctrico debe ser usado únicamente con carritos o pedestales que sean recomendados por el fabricante.
7. El aparato eléctrico debe ser montado a la pared o al techo sólo como sea recomendado por el fabricante.
8. Servicio—El usuario no debe intentar dar servicio al equipo eléctrico más allá a lo descrito en las instrucciones de operación. Todo otro servicio deberá ser referido a personal de servicio calificado.
9. El aparato eléctrico debe ser situado de tal manera que su posición no interfiera su uso. La colocación del aparato eléctrico sobre una cama, sofá, alfombra o superficie similar puede bloquea la ventilación, no se debe colocar en libreros o gabinetes que impidan el flujo de aire por los orificios de ventilación.
10. El equipo eléctrico deber ser situado fuera del alcance de fuentes de calor como radiadores, registros de calor, estufas u otros aparatos (incluyendo amplificadores) que producen calor.
11. El aparato eléctrico deberá ser conectado a una fuente de poder sólo del tipo descrito en el instructivo de operación, o como se indique en el aparato.

12. Precaución debe ser tomada de tal manera que la tierra física y la polarización del equipo no sea eliminada.
13. Los cables de la fuente de poder deben ser guiados de tal manera que no sean pisados ni pellizcados por objetos colocados sobre o contra ellos, poniendo particular atención a los contactos y receptáculos donde salen del aparato.
14. El equipo eléctrico debe ser limpiado únicamente de acuerdo a las recomendaciones del fabricante.
15. En caso de existir, una antena externa deberá ser localizada lejos de las líneas de energía.
16. El cable de corriente deberá ser desconectado del cuando el equipo no sea usado por un largo periodo de tiempo.
17. Cuidado debe ser tomado de tal manera que objetos líquidos no sean derramados sobre la cubierta u orificios de ventilación.
18. Servicio por personal calificado deberá ser provisto cuando:
  - A: El cable de poder o el contacto ha sido dañado; u
  - B: Objetos han caído o líquido ha sido derramado dentro del aparato; o
  - C: El aparato ha sido expuesto a la lluvia; o
  - D: El aparato parece no operar normalmente o muestra un cambio en su desempeño; o
  - E: El aparato ha sido tirado o su cubierta ha sido dañada.

# Contents

Chapter	Page
1. Specifications .....	8
2. Introduction .....	10
3. Installation .....	13
3.1 Basic Installation .....	13
3.2 Cascaded Installation .....	15
3.3 Paired Installation .....	17
3.3.1 Configuring the Slave ServSelect .....	17
3.3.2 Configuring the Master ServSelect .....	19
3.3.3 Installing the ServSelects and the User Station and Their Cabling .....	19
3.3.4 Connecting Computers and Power to the Paired System .....	20
3.3.5 Decoupling Paired Units (Uninstalling/Deactivating Pairing) .....	21
4. Operation .....	22
4.1 Operation Overview .....	22
4.2 Operating the ServSelect with the Shared Keyboard .....	23
4.2.1 Keystroke Notation .....	23
4.2.2 Keyboard-Based Switching .....	24
4.2.3 Other Keyboard Commands .....	25
4.3 Operating the ServSelect with Its On-Screen Display (OSD) .....	27
4.3.1 Activating OSD .....	27
4.3.2 The Main OSD Window .....	28
4.3.3 The Command Menu .....	29
4.3.4 Channel Maintenance .....	30
4.3.4.A Adding New Channels to a Single ServSelect .....	30
4.3.4.B Adding New Channels to a Paired System .....	31
4.3.4.C Adding New Channels to a Cascade .....	31
4.3.4.D Deleting an Existing Channel .....	32
4.3.4.E Changing Channel Names and Addresses .....	32
4.3.5 The ID Window .....	33
4.3.5.A Changing the Size, Color, and Position of the ID Window .....	33
4.3.5.B Setting the ID Window's Dwell Time .....	33

<b>Chapter</b>	<b>Page</b>
4. Operation (continued)	
4.3 Operating the ServSelect with Its OSD (continued)	
4.3.6 Administrator Functions .....	34
4.3.6.A Creating the Administrator Password .....	35
4.3.6.B Setting the Administrator's Logout Time .....	35
4.3.6.C Setting Up Additional Users .....	36
4.4 Scanning Channels .....	37
4.4.1 Choosing a Scanning Method .....	37
4.4.2 Turning Scanning ON and OFF .....	38
4.4.2.A Turning Scanning ON and OFF Through OSD .....	38
4.4.2.B Turning Scanning ON and OFF with the SELECT/ SCAN Button (Nonsecure Mode Only) .....	38
4.4.2.C Turning Scanning ON and OFF with Keyboard Hotkey Commands (System Administrator or Nonsecure Mode Only) .....	38
4.4.3 Setting the Scan Dwell Time (System Administrator or Nonsecure Mode Only) .....	39
4.4.3.A Setting the Dwell Time for Sequential Scanning ....	39
4.4.3.B Setting the Dwell Time for Alphanumeric Scanning .....	39
4.4.4 Scanning and Security .....	39
5. Troubleshooting .....	40
5.1 Common Problems .....	40
5.2 Calling Black Box .....	45
5.3 Shipping and Packaging .....	45
Appendix A: Problem Report .....	46
Appendix B: Rackmounting the ServSelect .....	49



# 1. Specifications

<b>Compliance</b> —	EMI/RFI: CE (EN55022, EN50082); FCC Part 15 Subpart J Class A, IC Class/classe A; Electrical Safety: UL 1950, CSA 22.2 No. 950, EN60950
<b>Standards</b> —	VGA, SVGA, XGA, or XGA-2 video
<b>Interfaces</b> —	VIDEO port: VGA/SVGA; with adapter, XGA/XGA-2; KBD and MSE ports: IBM PS/2 peripheral input; Lettered channel ports: Proprietary composites of: <ul style="list-style-type: none"> <li>• IBM PC/AT or PS/2 keyboard;</li> <li>• RS-232 or PS/2 mouse; and</li> <li>• VGA, SVGA, XGA, or XGA-2 video</li> </ul>
<b>Resolution</b> —	At up to 75 Hz: Up to 1024 x 768 noninterlaced; At up to 60 Hz: Up to 1280 x 1024 noninterlaced
<b>Maximum Distance</b> —	30 ft. (9.1 m) to any attached CPU; the shared monitor, keyboard, and mouse should be plugged directly into the unit and should not be placed farther away than their native cables can reach.
<b>User Controls</b> —	On-screen function menu; Keyboard commands; (1) Rear-mounted ON/OFF rocker switch; (1) Front-mounted SELECT/SCAN pushbutton; KV104A-R3: (4) Front-mounted port-selection pushbuttons; KV108A-R3: (8) Front-mounted port-selection pushbuttons
<b>Indicators</b> —	On-screen display; Front-mounted: <ul style="list-style-type: none"> <li>(2) SELECT/SCAN LEDs;</li> <li>(2) STATUS LEDs;</li> <li>KV104A-R3: (4) CPU Power LEDs, (4) Selected CPU LEDs;</li> <li>KV108A-R3: (8) CPU Power LEDs, (8) Selected CPU LEDs</li> </ul>

<b>Connectors</b> —	All rear-mounted: (1) HD15 female for video; (1) DB9 female reserved for future use; (2) 6-pin mini-DIN female: (1) for keyboard input, (1) for mouse input KV104A-R3: (4) DB25 male CPU ports; KV108A-R3: (8) DB25 male CPU ports
<b>Temperature Tolerance</b> —	Operating: 41 to 104°F (5 to 40 C); Storage: -4 to 122°F (-20 to 50 C)
<b>Humidity Tolerance</b> —	Up to 90% noncondensing
<b>Enclosure</b> —	Steel
<b>Power</b> —	Input: 100 to 240 VAC at 50 to 60 Hz from utility-power outlet, through detachable power cord and IEC 320 male inlet, to internal transformer; Consumption: 8 watts
<b>Size</b> —	1.7"H x 17.2"W x 6.5"D (4.5 x 43.7 x 16.5 cm)
<b>Weight</b> —	4.2 lb. (1.9 kg)

## 2. Introduction

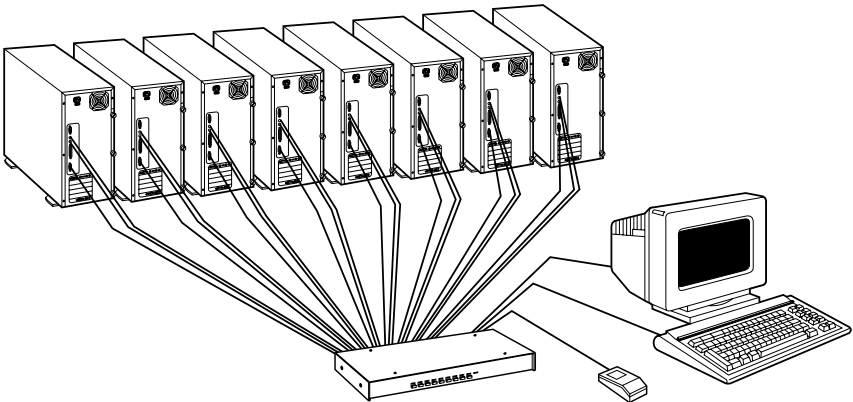
The ServSelect™ allows you to control as many as 64 PCs with one keyboard, monitor, and mouse. Each computer can be up to 30 feet (9.8 m) away from the ServSelect. The ServSelect works with IBM® PC/AT® and PS/2® systems and 100% compatible machines, with support for VGA, SVGA, XGA, and XGA-2 video. Each unit of our 4-port model (product code KV104A-R2) and 8-port model (product code KV108A-R2) can be directly attached to the corresponding number of computers or subsidiary ServSelect™ or ServSwitch Multi™ units.

Here are some of the useful features of the ServSelect:

- **Expansion for up to 64 computers.** A ServSelect unit will support from one to eight attached PCs (“channels”). If more than eight channels are needed, multiple units can be cascaded together for expansion. Up to 2 tiers of units can be connected for a total of 64 attached computers in one system.
- **AutoBoot technology.** The AutoBoot feature boots all attached servers during initial power-up or after a power failure. PCs are booted transparently without operator intervention, and may be powered up one at a time or all at once. When the power stabilizes, a channel may be selected. The first available channel is automatically selected upon power-up of the “base” (master) ServSelect.
- **On-screen display capability.** Configure and control your ServSelect with on-screen menuing! Name your computer channels anything you wish, then select the desired computer from an easy-to-use menu. Secondary menus let you configure and initiate channel scanning and other system features.
- **Advanced security for total control over system access.** Use the advanced bi-level security feature to configure and control server access for every type of user in the system. The administrator has full access privileges; individual users can have viewing or viewing/editing capability for each attached server.
- **IntelliMouse™.** The ServSelect offers full support for the Microsoft® IntelliMouse.
- **OSD Configuration Utility.** The OSD Configuration Utility allows the administrator to easily configure and download a channel list with defined users and access privileges to the entire system. This utility will also read and save your current configuration for extra security.

- **Pushbutton & keyboard switching.** In addition to using the on-screen menus, you can switch computer channels in one of three easy ways: with the ServSelect channel pushbuttons, the SELECT/SCAN button, or a simple sequence of keystrokes.
- **Keep Alive feature.** The “Keep Alive” feature allows attached servers to power the ServSelect in case the ServSelect loses AC power. This prevents attached PCs from locking up and keeps you from losing time and data.
- **PS/2 mouse translation.** For added compatibility with your current equipment, ServSelect can “translate” the signals of your shared PS/2 mouse. Operated through the ServSelect, your PS/2 mouse will work with any attached PC—regardless of whether the computer is designed for a serial or PS/2 mouse!
- **Built-in scanning capabilities.** A built-in scanning feature allows you to automatically “scan” (monitor) your PCs without intervention. When keyboard activity is detected, scanning is suspended until all activity stops. Scanning then resumes with the next channel in sequence.
- **Status-indicator LEDs.** Indicator LEDs give you constant readings on the status of your ServSelect unit. Status, scanning, and channel LEDs take the guesswork out of system operation and diagnostics.

A typical ServSelect configuration is shown in **Figure 2-1** below:



**Figure 2-1. A KV108A-R2 in its maximum (eight-computer) single-unit configuration.**

A few compatibility issues you should be aware of:

- **Mouse/keyboard:** The ServSelect requires a PS/2 style mouse and keyboard. It is known to be compatible with these mice:

IBM PS/2 style

Microsoft serial and PS/2 style (switchable) mouse in PS/2 mode

Kensington™

Logitech® Trackman™

Logitech Mouseman™ (for PS/2)

Microsoft IntelliMouse




Other manufacturers' mice might also work with the ServSelect. If you experience problems using an untested mouse, contact Black Box Technical Support with the manufacturer and model number of the mouse.

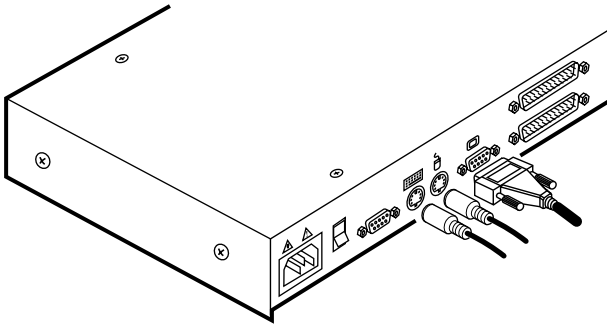
- **Video:** If you want to use XGA or XGA-II video, you will need to purchase a special adapter; call Black Box Technical Support.

# 3. Installation

## 3.1 Basic Installation

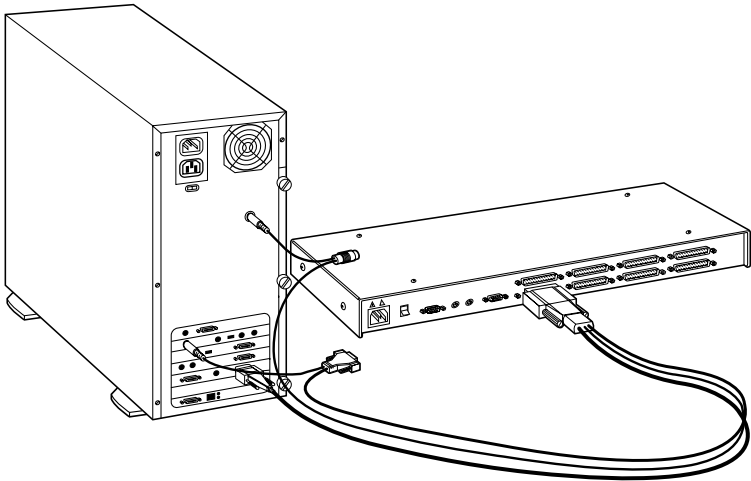
To perform a basic (single-unit) ServSelect installation, take these steps:

1. Power down all computers that will be part of your ServSelect system.
2. Put your ServSelect, PS/2 keyboard, video monitor, and PS/2 mouse where you want them to be.
3. Plug your monitor cable into the port labeled  on the back of your ServSelect. Plug the cables from your PS/2 keyboard and mouse into the ports labeled  and  respectively. Refer to Figure 3-1 below.



**Figure 3-1. User-station connections.**

4. Get a computer-input cable (our product code EHN056). Plug the DB25 female connector at one end of this cable into any lettered channel port on the rear of the ServSelect. The other end of the input cable will have five connectors: an HD15 male connector for your video port, 5-pin DIN male and 6-pin mini-DIN male connectors for your AT or PS/2 keyboard port respectively, and DB9 female and 6-pin mini-DIN male connectors for your serial or PS/2 mouse port respectively. (The 6-pin mini-DIN PS/2 mouse connector is marked with a yellow band or mouse icon to distinguish it from the 6-pin mini-DIN keyboard connector.) Plug these connectors into the corresponding ports; make sure to use only the keyboard and mouse connectors that are appropriate for your PC, and leave the others unconnected. Refer to Figure 3-2 on the next page.



**Figure 3-2. Computer connections.**

5. Repeat step 4 until all computers are properly attached to the ServSelect.
  6. Get the power cord that came with your ServSelect unit. Plug it into the power inlet on the ServSelect. Make sure that the ServSelect's power switch is off, then plug the other end of the power cord into an appropriate AC wall outlet. This outlet should be near the equipment and easily accessible so that you can quickly unplug the ServSelect should you need to move or service it. Refer to Figure 3-3 on the next page.
  7. Power up your ServSelect unit first, then all attached computers.
- Your ServSelect system should be ready for continuous operation.

### **CAUTION!**

**Power down the ServSelect and all attached computers, and unplug the ServSelect as well, before you move or service the unit.**

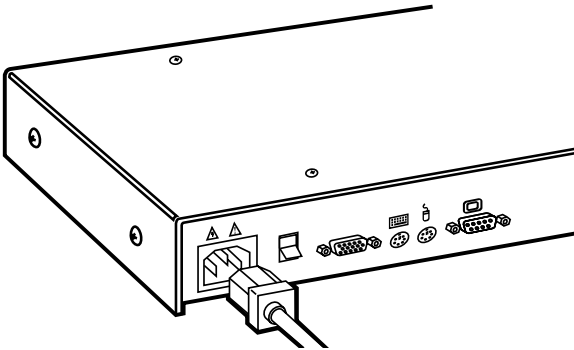





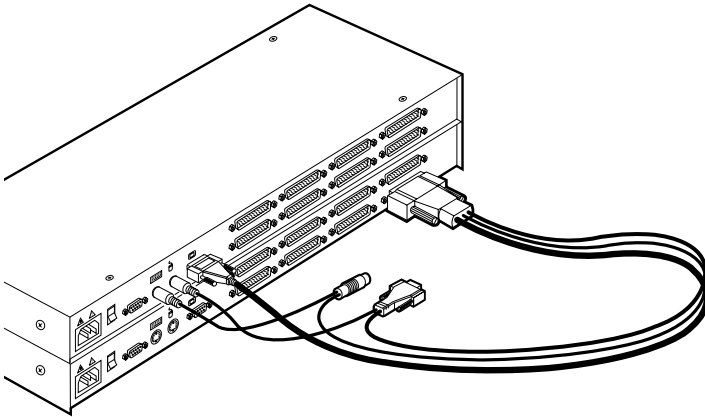
Figure 3-3. Power connection.

## 3.2 Cascaded Installation

Take these steps to interconnect (cascade) multiple ServSelect units, using a ServSelect's CPU port each time, so that the ServSelects remain distinct from each other and so that the system can be expanded beyond 16 ports (as opposed to pairing units—see the next section):

1. Choose one of your ServSelects to be the “base unit” (the unit to which the keyboard, mouse, and monitor will be attached). Follow steps 1 through 3 in **Section 3.1** for this unit.
2. All other ServSelects will be subsidiary “expansion units.” Place (one of) the expansion unit(s) near the base unit (you can even stack it on top of the base unit if you like).
3. Plug the DB25 connector of an EHN056 input cable into any available lettered channel port on the rear of your base unit.
4. Into the port labeled  on your expansion unit, plug the HD15 video connector on one of the other ends of the cable. Plug the 6-pin mini-DIN PS/2 mouse connector, designated by a yellow band or mouse icon, into the  port. Plug the remaining 6-pin mini-DIN keyboard connector into the  port. (The cable's DB9 and 5-pin DIN connectors are not used for cascading.) Refer to Figure 3-4 on the next page.
5. If you have other expansion units, repeat steps 2 through 4 for each of them. Be careful to plug all expansion units into the base unit only. Do *not* attach any expansion units to other expansion units.





**Figure 3-4. Cascade connection.**

6. Follow steps 4 and 5 in **Section 3.1** for each of your expansion units and your base unit (if the base unit still has any free channel ports).
7. Follow step 6 in **Section 3.1** for all of your ServSelect units.
8. Power up all of your ServSelect units first, then all attached computers.

Your ServSelect system should be ready for continuous operation.

### **CAUTION!**

**Power down all of the ServSelects and all attached computers, and unplug the ServSelects as well, before you move or service any of the units.**



### 3.3 Paired Configuration/Installation

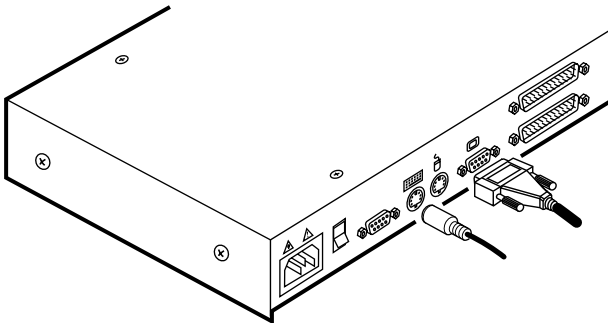
Rather than cascade units (see the previous section), you can take the steps described in this section to serially interconnect (pair) two 4- or 8-port ServSelect units—in any combination—without using any CPU ports, so that they function as a single 8-, 12-, or 16-port box. First choose which of your ServSelects will be the “master unit” and which will be the “slave unit.” Then configure the “slave” unit (Section 3.3.1), configure the “master” (Section 3.3.2), permanently install both units and the user station and cable them together (Section 3.3.3), and finally connect your computers (Section 3.3.4). To add channels to your system later, follow the directions in Section 4.3.4.B. To decouple paired ServSelects, see Section 3.3.5.

## IMPORTANT NOTE

**Before installing a paired system, be aware that paired ServSelects can't be cascaded. They also can't perform keyboard-based switching, although all other keyboard commands and controls function normally. This means that, in secure mode, you can only switch channels in a paired system through the on-screen display (see Section 4.3.2).**

#### 3.3.1 CONFIGURING THE SLAVE SERVSELECT

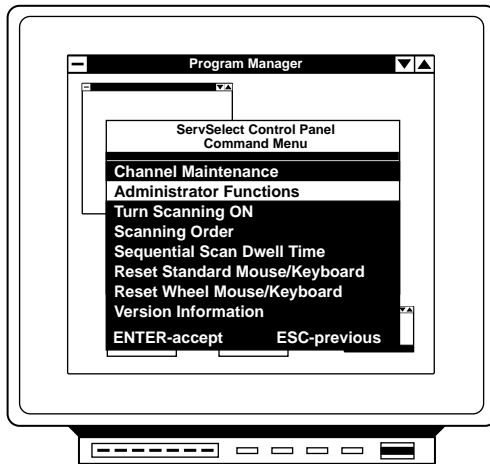
1. Plug your monitor cable into the port labeled  on the back of your slave ServSelect. Plug the cable from your PS/2 keyboard into the port labeled . Refer to **Figure 3-5** below.



**Figure 3-5. User-station connections for configuring paired units.**

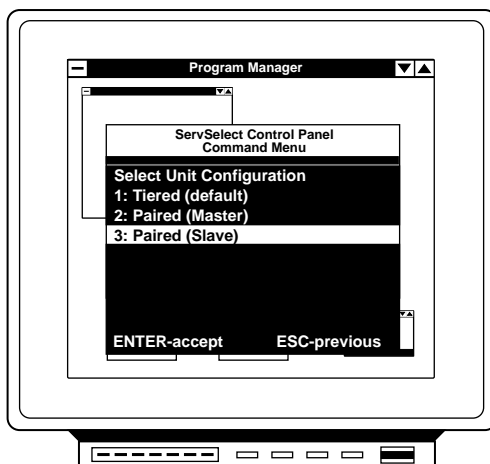
2. Get the power cord that came with your slave ServSelect unit. Plug it into the power inlet on the back of the ServSelect. Make sure that the ServSelect's power switch is off, then plug the other end of the power cord into an appropriate AC wall outlet. Refer to **Figure 3-3** on page 15.
3. Turn on the slave ServSelect and press the keyboard's [Ctrl] (control) key twice to activate the unit's On-Screen Display system (see Section 4.3). The Administrator Channel list will appear in a pop-up menu.

- Press the [Ctrl] key twice more to activate the Command Menu, as shown in **Figure 3-6** below.



**Figure 3-6. The Command Menu.**

- Using the keyboard's arrow keys, highlight "Administrator Functions" and press [Enter]. This will bring up the Administrator Menu.
- From here, highlight and select "Unit Configuration."
- Change the unit's configuration to option 3, "Paired (Slave)," as shown in **Figure 3-7** below.



**Figure 3-7. Setting the unit to a slave configuration.**

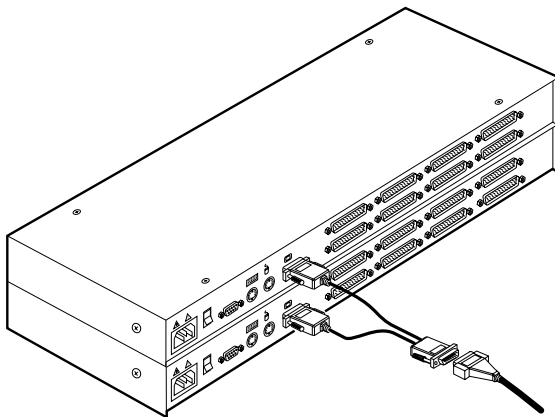
8. Press [Enter] to save your selection. Next, press the [Esc] key repeatedly to exit from the OSD system.
9. Turn off the slave ServSelect and disconnect the keyboard and monitor from it.

### 3.3.2 CONFIGURING THE MASTER SERVSELECT

1. Do steps 2 through 7 of **Section 3.3.1** with the master ServSelect instead of the slave.
2. Change the configuration of the master unit to option 2, “Paired (Master).” Press [Enter] to save your selection, then press the [Esc] key repeatedly to exit from the OSD system again.
3. Turn off the master ServSelect and disconnect the keyboard and monitor from it.

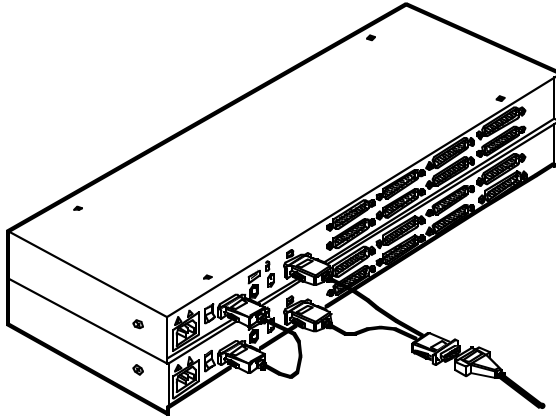
### 3.3.3 INSTALLING THE SERVSELECTS AND THE USER STATION AND THEIR CABLING

1. Get a ServSelect Pairing Cable Kit (our product code EHN056-BOND). It will include (1) video V-cable, with two HD15 male connectors and one HD15 female connector, and (1) DB9 male to DB9 male serial cable.
2. Plug each of the V-cable’s male connectors into one of the ServSelects’  ports: one into the master unit’s, the other into the slave unit’s. Attach a monitor to the paired units by plugging the monitor cable into the V-cable’s female connector. Refer to **Figure 3-8** below.





**Figure 3-8. Attaching the Pairing Cable Kit’s V-cable.**

3. Run the DB9 serial cable between the “SETUP” ports on the master and slave units as shown in **Figure 3-9** below.



**Figure 3-9. Attaching the Pairing Cable Kit's serial cable.**

4. Attach a PS/2 keyboard to the paired units by plugging it into the  port on the master ServSelect. Attach a PS/2 mouse to the paired units by plugging it into the  port on the master ServSelect.

### 3.3.4 CONNECTING COMPUTERS AND POWER TO THE PAIRED SYSTEM

1. Do step 4 of **Section 3.1** for each of your first eight computers, attaching them to the master ServSelect.
2. Do step 4 of **Section 3.1** for each of your remaining computers, attaching them to the slave ServSelect.
3. Do step 6 of **Section 3.1** for each of the paired ServSelects.
4. Power up your slave ServSelect first, then the master ServSelect, then all attached computers.

Your ServSelect system should be ready for continuous operation.

## CAUTION!

**Power down the ServSelects and all attached computers, and unplug the ServSelects as well, before you move or service either unit.**

### 3.3.5 DECOUPLING PAIRED UNITS (UNINSTALLING/DEACTIVATING PAIRING)

If you need to decouple (separate) a paired ServSelect system, take these steps:

1. Press the keyboard's [Ctrl] (control) key twice to activate the system's On-Screen Display system (see **Section 4.3**). The Administrator Channel list will appear in a pop-up menu.
2. Press the [Ctrl] key twice more to activate the Command Menu, as shown in **Figure 3-6** on page 18.
3. Using the keyboard's arrow keys, highlight "Administrator Functions" and press [Enter]. This will bring up the Administrator Menu.
4. From here, highlight and select "Unit Configuration."
5. Change the configuration to option 1, "Tiered." (This will affect the master unit *only*.)
6. Press [Enter] to save your selection and [Esc] to exit the OSD system.
7. Disconnect the Pairing Cable Kit cables from the formerly paired units.
8. Attach a monitor and keyboard directly to the slave unit.
9. Repeat steps 1 through 6 for the slave unit.

You can now use the two ServSelects separately or as part of a cascade. Please note that after decoupling a ServSelect pair, if there were any computers attached to your slave unit, you will need to modify the channel lists of both units according to the basic Channel Maintenance instructions in **Section 4.3.4**.

## 4. Operation

### 4.1 Operation Overview

You can operate your ServSelect in “nonsecure” mode (no password required) or “secure” mode (password required). All units ship factory-set to the nonsecure mode. For information on implementing password security, see **Section 4.3.6**.

You can power up the PCs attached to the ServSelect one at a time or all at once. No operator intervention is required during booting. As the system stabilizes, each occupied channel’s green LED will light, indicating that the attached computer is powered on. The amber LED of the active computer’s channel will also light. A PC may now be selected with the on-screen display menu or, if you are in nonsecure mode, with the channel pushbuttons, the SELECT/SCAN button, or a keyboard hotkey sequence.

The SELECT/SCAN pushbutton on the ServSelect’s front panel (which is shown in Figure 4-1 below) has two LEDs over it. When you press and quickly release the button to switch to the next computer in sequence, the amber LED will light briefly during the channel switch. After you press and hold the button for a full second to initiate channel scanning, the green LED will light while you are in scan mode.

There are also two status LEDs on the unit’s front panel. The red LED lights if one of the ServSelect’s internal components fails. The green LED will blink for several seconds during power-up while the system performs a self-diagnostic. After initialization, the green LED remains lit during normal operation and blinks only when you are in Command Mode.

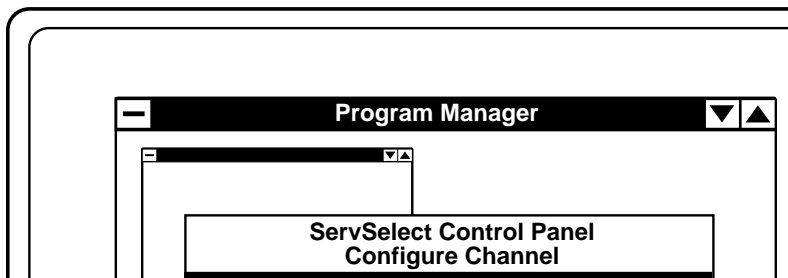


Figure 4-1. Front panel of the ServSelect.

## 4.2 Operating the ServSelect with the Shared Keyboard

### 4.2.1 KEYSTROKE NOTATION

Throughout the rest of this chapter, we use some “shorthand” to abbreviate certain keystroke sequences and variables you can use to control the ServSelect switch through the shared keyboard:

- <CM>** Enter Command Mode:
1. Press and hold down the keyboard’s [Num Lock] key.
  2. Press and release the [-] (minus) key on the numeric keypad.
  3. Release the [Num Lock] key.
- Note: To choose an alternate hotkey sequence for entering Command Mode, see **Section 4.2.3**.
- [Enter]** Press the keyboard’s Enter or Return key. Doing so will cause the ServSelect to execute the command you just typed in and then exit from Command Mode.
- Addr* The “address” of the computer you’re selecting. In single-unit ServSelect systems, this address will correspond to the single letter designation (“A” through “H”) of the channel port on the ServSelect that the computer is attached to. For example, “D” is the address of the computer attached to channel port D on a single ServSelect.
- In paired systems this address will correspond to the letter designation of the ServSelect (“A” for the master, “B” for the slave) followed by the letter designation of the computer’s channel port. For example, “BB” is the address of the computer attached to channel port B on a slave paired ServSelect.
- In cascaded systems this address will correspond to the letter designation of the channel port on the base unit that the expansion is attached to, followed by the designation of the channel port on the expansion unit that the computer is attached to. For example, “AE” is the address of a computer attached to channel port E of an expansion ServSelect which in turn is attached to port A of the base ServSelect.
- [Esc]** Press the keyboard’s Escape key. Doing so will cause the ServSelect to exit from (abort) Command Mode without executing any instruction.



#### 4.2.2 KEYBOARD-BASED SWITCHING

One of the ways to change the active channel in a non-secured, non-paired ServSelect system is by entering a short sequence of keystrokes on the shared keyboard. This is called “keyboard-based switching” or “hotkey switching,” and is only available when the ServSelect is not paired (see **Section 3.3**) and is in its default nonsecure state. For more information on secure versus nonsecure operation, see the **Section 4.3.6**. To keyboard-switch channels, take these steps:

1. The first set of keystrokes (see the description of **<CM>** in **Section 4.2.1**) places your system in Command Mode. As long as you are operating in Command Mode, whatever you type will be interpreted as channel-switching commands until you press the Enter or Escape key to terminate Command Mode. None of the keystrokes entered will be forwarded to the attached computer until you exit Command Mode.
2. Next, enter the address (“*Addr*”—see the description in **Section 4.2.1**) for the channel you wish to select.
3. Press **[Enter]** to accept the new channel.

All together, the proper format for keyboard switching to a new active channel through the keyboard is “**<CM>Addr[Enter]**”. Below is a sample of a keyboard switching session, with an accompanying explanation for each step:

1. Use “**<CM>E[Enter]**” to select channel E on the base unit as the active channel.
2. Use “**<CM>CF[Enter]**” to access the expansion unit on channel C of the base unit and select channel F on that expansion unit as the active channel.
3. Use “**<CM>G[Enter]**” to select channel G on the base unit as the active channel.
4. Entering “**<CM>BA[Esc]**” gets you out of Command Mode without any channel switch or other instruction being executed. When you press **[Esc]**, the “BA” you typed is ignored, and channel G remains selected as the active channel.

### 4.2.3 OTHER KEYBOARD COMMANDS

You can use these keyboard commands for system control and maintenance:

- <CM>Kn[Enter]** Sets the keyboard scan mode (1, 2, or 3). Scan mode 2 is used by the vast majority of CPUs, and is also the default state of all 101-key and PS/2 keyboards. Mode 1 is used primarily by certain PS/2 CPUs. Mode 3 is used by RS/6000® CPUs, some other UNIX® based computers, and certain specialized servers.
- <CM>MR[Enter]** If you hot-plug your mouse cable (insert it while the ServSelect is operating), you may lose the mouse signal. Use this command to restore the signal if you are using a PC with a standard PS/2 mouse driver.
- <CM>MW[Enter]** If you hot-plug your mouse cable (insert it while the ServSelect is operating), you may lose the mouse signal. Use this command to restore the signal if you are using a PC with a Microsoft IntelliMouse driver.
- <CM>AV[Enter]** Displays the current firmware version of the processors inside your ServSelect unit. You must be either at a DOS prompt or in a text editor or word processor to view this information.
- <CM>H1[Enter]** Changes the Command-Mode hotkey sequence to the default:
1. Press and hold down the [Num Lock] key.
  2. Press and release the [-] (minus) key on the numeric keypad.
  3. Release the [Num Lock] key.
- <CM>H2[Enter]** Changes the Command-Mode hotkey sequence to the first alternate:
1. Press and hold down the [Num Lock] key.
  2. Press and release the [\*] (asterisk) key on the numeric keypad.
  3. Release the [Num Lock] key.
- <CM>H3[Enter]** Changes the Command-Mode hotkey sequence to the second alternate:
1. Press and hold down the [Ctrl] (control) key.
  2. Press and release the [~] (tilde) key.
  3. Release the [Ctrl] key.

**<CM>ZM[Enter]**

Use this command to resynchronize the mouse if it loses synchronization, which can happen when you hot-plug a device or computer (plug the device or computer into an operating ServSelect system). Repeat, if necessary, until synchronization is re-established.

Be careful: Using this command while the mouse is operating correctly will cause the mouse to *lose* synchronization. (If this happens, send the command again until the mouse works right.)

## 4.3 Operating the ServSelect with Its On-Screen Display (OSD)

### 4.3.1 ACTIVATING OSD

Activate on-screen display (OSD) by pressing either of the shared keyboard's [Ctrl] (control) keys twice within one second. In nonsecure mode, this brings up the main OSD window titled "Administrator Channel List."

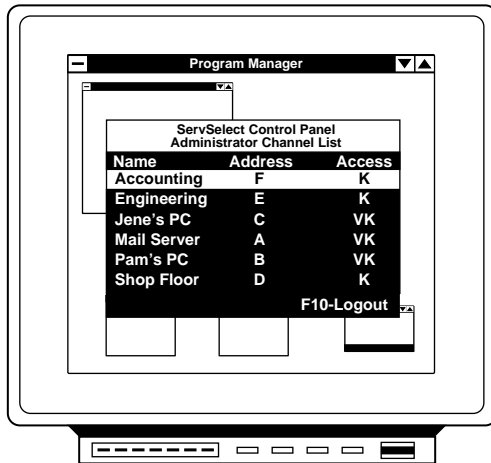
In secure mode, activating OSD will bring up the "User Login" window. Type in your user name and press [Enter]. The system administrator should login as "Admin," "Root," or "Administrator." If the user name is valid, the password window will appear. Type your password and press [Enter]. This will bring up your "Channel List." If there is no keyboard activity, the login window will time out after five minutes and go to a Black Box screen saver. Hit any key to restore the login prompt.

### NOTE

**All ServSelect units ship from the factory set to the default nonsecure state. For more information on secure versus non-secure operation, see Section 4.3.6.**

### 4.3.2 THE MAIN OSD WINDOW

In nonsecure mode, this window, shown in **Figure 4-2** below, lists all the named channels in your ServSelect system. They will be listed alphabetically with their channel addresses and access status beside them. In secure mode, only the channels that are accessible to the logged-in user will be listed. (See **Section 4.3.6** for more information.)

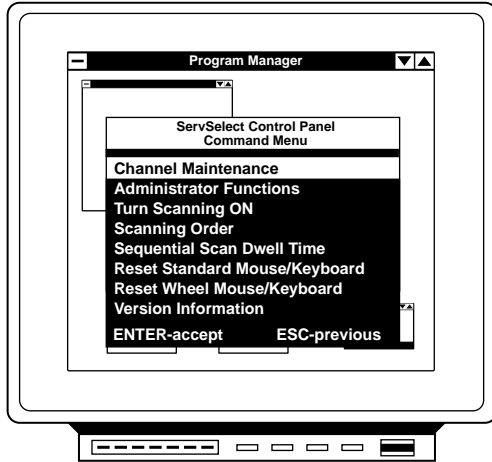


**Figure 4-2. The main OSD window, “Administrator Channel List.”**

Use your shared mouse or your shared keyboard’s up- and down-arrow keys and page-up and page-down keys to select a channel. Move immediately to the top or bottom of the list with the [Home] or [End] key respectively. If you press a letter key on the keyboard when you are at this window, the highlight bar will move to the first channel name beginning with that letter; press the letter repeatedly to scroll from top to bottom through all channels that begin with that letter. When a channel is highlighted, press [Enter] to switch to that channel. To exit this window without changing channels, press the keyboard’s [Esc] (escape) key. To log out manually when in secure mode, press the keyboard’s [F10] key.

### 4.3.3 THE COMMAND MENU

Once you have activated the main OSD window, you can open the Command Menu (shown in Figure 4-3 below) with the shared keyboard by either typing [Alt][M] or pressing either of the [Ctrl] (control) keys twice. Select from among the Command Menu's options in the same way as you would select channels in the OSD window (see the previous section): Scroll the highlight bar up and down and press [Enter] when your selection is highlighted.



**Figure 4-3. The Command Menu.**

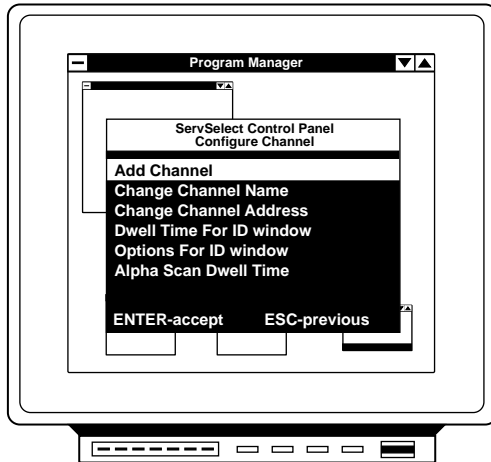
If you are operating in nonsecure mode or are the system administrator, you will have several options that do not appear in the user-level Command Menu: “Channel Maintenance” (see **Section 4.3.4**), “Administrator Functions” (see **Section 4.3.6**), and “Sequential Scan Dwell Time” (see **Section 4.4**).

If you lose the mouse signal while using the ServSelect, select one of two options from this menu: either “Reset Standard Mouse/Keyboard” if the active PC is running a standard mouse driver or “Reset Wheel Mouse/Keyboard” if the active PC is running a Microsoft IntelliMouse driver. This will reset (and in most cases restore) your mouse signal. These OSD commands are equivalent to the “<CM>MR[Enter]” and “<CM>MW[Enter]” keyboard commands listed in **Section 4.2.3**.

Choose the “Version Information” option to display on your monitor the current version level of your ServSelect's OSD firmware. Press the shared keyboard's [Esc] key to clear this information from your screen.

#### 4.3.4 CHANNEL MAINTENANCE

From the Command Menu (see the previous section), you can access the Channel Maintenance Menu (shown in **Figure 4-4** below) if you are operating in nonsecure mode or if you are the system administrator. Here you can add, delete, or alter individual channels, as described in the subsections on the following pages.



**Figure 4-4. The Channel Maintenance Menu.**

##### 4.3.4.A Adding New Channels to a Single ServoSelect

To add a new channel (that is, a newly attached computer) to a *single-unit ServoSelect system*, take these steps:

1. Select “Add Channel” from the Channel Maintenance Menu. Type in a new channel name up to 14 characters long, then press [Enter].
2. Type in the channel letter for the PC you are naming (that is, the letter designation “A” through “H” of the ServoSelect channel port that the PC is attached to), then press [Enter].
3. When prompted for another cascade level, type “N”, then press [Enter].

Press [Esc] at any point to exit this operation without adding the channel.

#### 4.3.4.B Adding New Channels to a Paired System

To add a new channel to a *paired ServSelect system*, take these steps:

1. Select “Add Channel” from the Channel Maintenance Menu. Type in a new channel name up to 14 characters long, then press [Enter].
2. Type in the letter of the ServSelect that the PC you’re naming is attached to—“A” for the master unit, “B” for the slave—then press [Enter].
3. When prompted for another cascade level, type “Y”, then press [Enter].
4. Type in the channel letter for the PC you are naming (that is, the letter designation “A” through “H” of the channel port on the ServSelect that the PC is attached to), then press [Enter].
5. When you’re prompted for another level, type “N”, then press [Enter].

Press [Esc] at any point to exit this operation without adding the channel.

#### 4.3.4.C Adding New Channels to a Cascade

To add a new channel to a *cascaded ServSelect system*, take these steps:

1. Select “Add Channel” from the Channel Maintenance Menu. Type in a new channel name up to 14 characters long, then press [Enter].
2. Type in the channel letter for the expansion unit (that is, the letter designation “A” through “H” of the channel port on the base unit that the expansion unit is attached to), then press [Enter].
3. When prompted for another cascade level, type “Y”, then press [Enter].
4. Type in the channel letter for the PC you are naming (that is, the letter designation “A” through “H” of the channel port on the expansion unit that the PC is attached to), then press [Enter].
5. When you’re prompted for another level, type “N”, then press [Enter]. (If you accidentally type “Y”, don’t panic; you can hit [Esc] to abort the procedure. Even if you accidentally add a third-level address—which can cause the ServSelect system to do very strange things when it’s trying to find a selected channel—you can delete that address by following the procedure in **Section 4.3.4.D.**)

Press [Esc] at any point to exit this operation without adding the channel.



#### *4.3.4.D Deleting an Existing Channel*

To delete an existing channel, take these steps:

1. Go back to the main OSD window (see **Section 4.3.2**) and highlight the channel you want to delete.
2. Type [Alt][M] or press either [Ctrl] key twice to access the Command Menu (see **Section 4.3.3**).
3. Select “Channel Maintenance” from the Command Menu.
4. Choose the “Delete Channel” option.
5. Type “Y” to confirm or “N” to cancel the deletion, then press [Enter].

Press [Esc] at any point to exit this operation without deleting the channel.

#### *4.3.4.E Changing Channel Names and Addresses*

To change the name or address of an existing channel if you swap out or move a PC, take these steps:

1. Go back to the main OSD window (see **Section 4.3.2**) and highlight the channel whose information you want to change.
2. Type [Alt][M] or press either [Ctrl] key twice to access the Command Menu (see **Section 4.3.3**).
3. Select “Channel Maintenance” from the Command Menu.
4. Choose the appropriate option (either “Change Channel Name” or “Change Channel Address”).
5. Enter the new channel name or address, then press [Enter] to accept.

Press [Esc] at any point to exit this operation without saving the changes.

### 4.3.5 THE ID WINDOW

The ID Window appears when you change channels and displays the name of the selected channel. At the Channel Maintenance Menu (see **Section 4.3.4**), you can individually configure the characteristics of this window for each channel in your system if you are operating in nonsecure mode or if you are the system administrator.

#### *4.3.5.A Changing the Size, Color and Position of the ID Window*

Choose “Options for ID Window” from the Channel Maintenance Menu, then take the appropriate steps:

- **To move the ID Window:**  
Use the arrow keys or the mouse to move the ID Window’s position on the monitor. If the window flickers but does not move, the window can’t go any farther in the direction you’ve chosen; to position it somewhere else, move the mouse in the opposite direction, or tap the opposite arrow key, until the window starts moving again.
- **To change the Window’s background color:**  
Press the [Pg Up] (page up) key to cycle through the available background colors for the Window until your desired color appears.
- **To change the Window’s text color:**  
Press the [Pg Dn] (page down) key to cycle through the available text colors for the Window until your desired color appears.
- **To change the Window’s width:**  
Use the [+] or [-] key to make the Window wider or narrower respectively.

When you’re finished, press [Enter] to accept and save the changes or press [Esc] to exit the menu without saving the changes.

#### *4.3.5.B Setting the ID Window’s Dwell Time*

The ID Window’s “dwell time” is the length of time it remains on screen after you switch channels. The default dwell time for all channels is five seconds, but you can set the Window’s dwell time independently for each channel if you want to. To do so, choose “Dwell Time for ID Window” from the Channel Maintenance Menu, then enter a number from 0 (zero) to 255:

- Setting the dwell time to 0 disables the ID Window for the selected channel.
- Setting the dwell time to a value from 1 to 254 causes the ID Window to remain on screen for that many seconds for the selected channel.
- Setting the dwell time to 255 causes the ID Window to remain on screen for the entire time that the selected channel is active.

#### 4.3.6 ADMINISTRATOR FUNCTIONS

You can access the Administrator Functions Menu by choosing—surprise!—the “Administrator Functions” option from the Command Menu (see **Section 4.3.3**). Here, you can create an administrator password, set a system logout time, or create individual user logins with specific access privileges. *You will only use this menu if you operate the ServSelect in secure mode.* To initiate secure mode, create an administrator password at this menu. A lock symbol will appear to the right of the menu headings to indicate secure operation. To keep your system in the default nonsecure mode instead, return to the Command Menu without setting up an administrator password here.

These are the differences between the secure and nonsecure modes:

- **Administrator Password**

Creating an administrator password places your system in secure mode.

Nonsecure systems do not use passwords. To return your system to the default nonsecure mode, simply delete the administrator password. When the administrator password is enabled, user passwords must also be created or the switch will not be completely secure. The default password for users is actually no password at all; users can simply hit the [Enter] key at the password prompt.

- **Logout Capability**

*In secure mode only*, you have the option of automatically logging users out of the system after an administrator-defined timeout period of inactivity. You can set the timeout to any value from 0 to 60; values of 1 through 60 set the timeout to the corresponding number of minutes, whereas a value of 0 (zero) keeps the user logged in continuously. When the timeout is reached, the current channel is deselected and the display goes to screen-saver mode. Users must log in again to access system computers. This option is not available in nonsecure mode.

- **Multiple User Logins**

*In secure mode only*, you can create up to four user logins in addition to the system administrator’s login. Use these logins to configure and control server access for every type of system user. The administrator has full access privileges; additional users can have “viewing” or “viewing with keyboard and mouse control” access to any particular server. This option is not available in nonsecure mode.

- **Channel Selection with Pushbuttons and Hotkeys**

*While in secure mode*, all of the ServSelect’s front-panel pushbuttons and hotkey channel-selection methods are disabled. All other hotkey commands are still available, but to the administrator only. In nonsecure mode, all pushbuttons and hotkey commands function normally.

#### *4.3.6.A Creating the Administrator Password*

To create an administrator password for your system, access the Administrator Functions Menu and take these steps:

1. Select “Administrator Password.”
2. Type in your password and press [Enter]. (The password is not case-sensitive.)
3. Retype your password for confirmation.

### **CAUTION!**

**Security is enabled as soon as the password has been created. Store a copy of your password in a safe place. If you lose or forget your administrator password, the ServSelect will have to be hardware-reset; call Black Box Technical Support.**

You should now see the option “F10 - Logout” at the bottom of the main OSD window and a lock symbol to the right of the menu headings.

#### *4.3.6.B Setting the Administrator’s Logout Time*

To set the logout time for the administrator (the time that must pass without keyboard or mouse activity before the administrator is automatically logged out of the ServSelect system), access the Administrator Functions Menu and take these steps:

1. Select “Administrator Logout Time.”
2. Enter a logout time from 0 to 60. Values from 1 to 60 set the logout time to the corresponding number of minutes. When the logout time is set to its factory-default value of 0 (zero), the administrator is never logged out (can remain logged on indefinitely).

#### 4.3.6.C Setting Up Additional Users

To set up “accounts” (names, passwords, access privileges, and logout times) for other users, access the Administrator Functions Menu and take these steps:

1. Select “Setup User  $n$ ” where  $n$  is the user number; we recommend starting with User 1 and working your way up.
2. Choose “Name,” then enter the name for this user.
3. Choose “Password,” then enter and confirm the password for this user. (Passwords are not case sensitive.)
4. Choose “Access.” In this submenu, you will see a listing of all attached servers in the channel list. For each server, choose a level of access for this user by selecting one of the function keys listed on the screen: [F5] for no access, [F6] for video only, or [F7] for video and keyboard/mouse capability (full access). The default setting is full access. All changes go into effect as soon as they are made. Press [Enter] when you have completed your configuration.
5. Choose “Logout Time.” Enter a logout time from 0 to 60. Values from 1 to 60 set the user’s logout time to the corresponding number of minutes. When the logout time is set to 0 (zero), the user is never logged out (can remain logged on indefinitely). The default setting is 5 minutes.
6. Press [Enter] to accept and save your selections.
7. Repeat steps 1 through 6 for each remaining user.

## 4.4 Scanning Channels

### 4.4.1 CHOOSING A SCANNING METHOD

The ServSelect's scanning feature allows you to automatically "scan" (monitor in sequence) your computer channels without intervention. When keyboard activity is detected, scanning is suspended until all keyboard activity stops. Scanning then resumes with the next channel in sequence. Mouse activity will not affect scanning in any way. The "scan dwell time" (the length of time each channel remains on the screen during scanning) is configurable and can be changed at any time.

There are two ways you can choose to scan through the channels in your ServSelect system: by port order ("sequentially") or by name ("alphanumerically"). Scanning sequentially allows you to view each of your active channels in the order in which they are physically attached to the ServSelect (port A, followed by port B, followed by port C, and so on). The sequential scan dwell time is configurable but is the same for all channels. Scanning alphanumerically allows you to scan all your channels in the alphanumeric order in which they are named in the main OSD window's channel list (for example, "Archive PC," followed by "Beta-Test 1," followed by "Beta-Test 2," and so on). You can adjust the alphanumeric dwell time independently for each channel, or even completely omit a channel from the alphanumeric scan sequence.

Take these steps to choose the scanning method more appropriate for your application:

1. From the main OSD window (see **Section 4.3.2**), either type [Alt][M] or press either of the [Ctrl] (control) keys twice to access the Command Menu.
2. Choose "Scanning order."
3. Select either "Sequential order" or "Alphanumeric order."
4. Press [Enter].

## 4.4.2 TURNING SCANNING ON AND OFF

### 4.4.2.A Turning Scanning ON and OFF Through OSD

Take these steps:

1. From the main OSD window (see **Section 4.3.2**), either type [Alt][M] or press either of the [Ctrl] (control) keys twice to access the Command Menu.
2. Select “Turn scanning ON” or “Turn scanning OFF.” (This is a “toggle option”—if scanning is currently OFF, only “Turn scanning ON” will appear in the Command Menu; if scanning is currently ON, only “Turn scanning OFF” will appear.)
3. Press [Enter].

### 4.4.2.B Turning Scanning ON and OFF with the SELECT/SCAN Button (Nonsecure Mode Only)

In nonsecure mode, you can initiate scanning by pressing and holding the ServSelect’s front-panel SELECT/SCAN pushbutton until the unit’s front-panel SCAN LED lights, and you can halt scanning by selecting a channel or by pressing the SELECT/SCAN button again. In secure mode, the SELECT/SCAN button is disabled.

### 4.4.2.C Turning Scanning ON and OFF with Keyboard Hotkey Commands (System Administrator or Nonsecure Mode Only)

In nonsecure mode, or if you are the system administrator, you can initiate scanning by issuing the “<CM>SG[Enter]” (“Scan Go”) command at the shared keyboard (see **Section 4.2.3**), and you can stop scanning by issuing the “<CM>SH[Enter]” (“Scan Halt”) command. In secure mode, the ServSelect will ignore these commands if they are issued by a non-administrator user.

**4.4.3 SETTING THE SCAN DWELL TIME (SYSTEM ADMINISTRATOR OR NONSECURE MODE ONLY)***4.4.3.A Setting the Dwell Time for Sequential Scanning*

Take these steps:

1. From the main OSD window (see **Section 4.3.2**), either type [Alt][M] or press either of the [Ctrl] (control) keys twice to access the Command Menu.
2. Select “Sequential Scan Dwell Time” from the Command Menu. Type in a number from 2 to 60; this will be the sequential dwell time, in seconds, for all channels in the system.
3. Press [Enter].

*4.4.3.B Setting the Dwell Time for Alphanumeric Scanning*

Take these steps:

1. At the main OSD window (see **Section 4.3.2**), highlight the channel whose alphanumeric dwell time you want to configure.
2. Either type [Alt][M] or press either of the [Ctrl] (control) keys twice to access the Command Menu.
3. Select “Channel Maintenance.”
4. Choose “Alpha Scan Dwell Time.”
5. Enter a number from 0 to 255. Values from 1 to 255 will be the alphanumeric dwell time, in seconds, for that channel; a value of 0 (zero) will cause the ServSelect to skip that channel during alphanumeric scans.
6. Press [Enter].

**4.4.4 SCANNING AND SECURITY**

In nonsecure mode, you may scan your channels either alphanumerically according to your channel list or sequentially through all attached servers. Note that with sequential scanning, you will pause at every active channel, regardless of whether that channel has been added to the channel list or not.

In secure mode, you will only scan through channels that appear on the channel list, regardless of the scanning method chosen.



# 5. Troubleshooting

## 5.1 Common Problems

If you are having difficulty, read through this section first to check for possible solutions. If the information in this section doesn't help, or if the problem persists, call Black Box Technical Support (see **Section 5.2**).

### **Neither STATUS LED lights**

Make sure that the ServSelect is plugged into a working AC outlet and is turned ON. If it is, but the STATUS LEDs still don't light, turn off the unit and check the fuse located under the power-cord connector.

### **Red STATUS LED lit**

One or more of the ServSelect's internal components has failed. Call Black Box Technical Support as described in **Section 5.2**.

### **Both amber and green SELECT/SCAN LEDs lit**

If you press and hold the SELECT/SCAN pushbutton for longer than three seconds, both LEDs will light momentarily and the unit will reset itself. In order to initiate scanning, press the SELECT/SCAN button and quickly release it. If both LEDs remain lit for an extended period of time, call Black Box Technical Support as described in **Section 5.2**.

### **Green channel LED not lit**

Make sure that both the ServSelect and the affected computer are plugged into a working AC outlet and are turned ON.

If they are, check the cabling between the ServSelect and the computer.

If this is OK, check to see whether a keyboard functions when plugged into the computer; if not, the computer is not providing power on its keyboard port (consult with the computer's manufacturer).

**Unable to use hotkey commands to switch to a channel**

Make sure that the ServSelect is not part of a paired system. You cannot switch channels on paired ServSelects with keyboard hotkey commands.

Make sure the ServSelect is not in secure mode (if it is, it displays a lock symbol on its OSD screens); in secure mode, only the system administrator can switch channels using hotkeys.

If the ServSelect is not in secure mode, verify that no OSD windows are up on your monitor; you must escape from all OSD menus to enable hot-key switching.

If OSD is not active, escape from command mode if you are already in it (if the green STATUS LED is blinking) and try initiating command mode again.

**Unable to use the front-panel pushbuttons to switch to a channel**

Verify that the channel being selected has a computer (rather than an expansion unit or nothing at all) attached to it.

If this is not the case, make sure the ServSelect is not in secure mode (if it is, it displays a lock symbol on its OSD screens); in secure mode, these pushbuttons are disabled.

**No video**

Verify that the video strand of the cable between the PC and the ServSelect is correctly connected at both ends, and that the monitor cable is correctly connected at both ends.

If the cabling is OK, power down the computer, connect the monitor directly to the computer, and power up again. If the monitor operates correctly when directly connected to the computer, call Black Box Technical Support as described in **Section 5.2**; if it doesn't, try another monitor.

**Mouse jumps or “hugs” screen**

If the mouse has been hot-plugged during a Windows session (that is, plugged in while the computer is ON and running Windows), you might need to close and restart Windows.

If this doesn't help, and the ServSelect is in nonsecure mode or you are the system administrator, try issuing the mouse-resynchronization command `<CM>ZM[Enter]` (see **Section 4.2.3**).

**Mouse is inoperable on *one* computer channel**

If the ServSelect is in nonsecure mode or you are the system administrator, try issuing the mouse-reset command **<CM>MR[Enter]** (for a standard mouse) or **<CM>MW[Enter]** (for an IntelliMouse) with the affected PC selected (see **Section 4.2.3**).


If this doesn't help, verify that the mouse strand of the cable from the affected computer to the ServSelect is connected properly at both ends.

If the ServSelect is in secure mode, make sure that you have keyboard/mouse privileges for that channel.

Verify that the mouse driver and application are configured properly for mouse support.

Lastly, verify that the mouse works properly when directly connected to the computer; if it doesn't, try another mouse.

**Mouse is inoperable on *all* computer channels**

Verify that the mouse is, in fact, a supported brand of PS/2 style mouse (see **Chapter 2**) and is plugged into the  port on the back of the ServSelect.

If it is, and the ServSelect is in nonsecure mode or you are the system administrator, try issuing the mouse reset command **<CM>MR[Enter]** (for a standard mouse) or **<CM>MW[Enter]** (for an IntelliMouse) (see **Section 4.2.3**).

If this doesn't help, verify that the mouse works when connected directly to a computer; if it doesn't, try another mouse.

If the mouse works fine when you attach it directly to a computer, cycle power to the ServSelect. (You do not have to power down the attached computers.)

If the mouse remains inoperable, then as a last resort power down all attached computers, cycle power on the ServSelect, then repower the computers. If the mouse still doesn't work through the ServSelect, call Black Box Technical Support as described in **Section 5.2**.

**Keyboard is inoperable on *one* computer channel**

Verify that the keyboard strand of the cable from the affected computer to the ServSelect is connected properly at both ends.

If the ServSelect is in secure mode, make sure that you have keyboard/mouse privileges for that channel.

Lastly, verify that the keyboard works properly when directly connected to the computer; if it doesn't, try another keyboard.

**Keyboard is inoperable on all channels**

Verify that the keyboard is, in fact, a standard PS/2 style keyboard and is plugged into the  port on the back of the ServSelect.

If it is, access the OSD Command Menu (see **Section 4.3.3**) and select “Reset mouse/keyboard.”

If this doesn’t help, verify that the keyboard works when connected directly to a computer; if it doesn’t, try another keyboard.

If the keyboard works fine when you attach it directly to a computer, cycle power to the ServSelect. (You do not have to power down the attached computers.)

If the keyboard remains inoperable, then as a last resort power down all attached computers, cycle power on the ServSelect, then repower the computers. If the keyboard still doesn’t work through the ServSelect, call Black Box Technical Support as described in **Section 5.2**.

**Keyboard is inoperable after switching channels**

If the ServSelect is in secure mode, make sure that you have keyboard/mouse privileges for the channel you’ve switched to. If you do, or if the unit is in nonsecure mode, try issuing the `<CM>Kn[Enter]` command to change the keyboard scan mode for that channel (see **Section 4.2.3**). If this doesn’t work, call Black Box Technical Support as described in **Section 5.2**.

**Characters on screen do not match keyboard input**

If the ServSelect is in nonsecure mode or you are the system administrator, try issuing the `<CM>Kn[Enter]` command to change the keyboard scan mode for that channel (see **Section 4.2.3**).

**No keyboard or mouse input or video output gets to or from an expansion unit, but the base unit is functioning properly**

Verify that the cable connecting the base unit to the expansion unit is properly connected on both ends (refer to **Section 3.2**).

**OSD menu does not pop up**

You must press either of the keyboard’s [Ctrl] (control) keys *twice within one second* in order to activate OSD.

**Unable to change channels using OSD**

Make sure that the computer on the channel you are trying to switch to is powered ON.

If it is, check the address configured in OSD. If the address is correct, call Black Box Technical Support as described in **Section 5.2**.

**User password is lost or forgotten**

Contact your system administrator.

**Administrator password is lost or forgotten**

Call Black Box Technical Support as described in **Section 5.2**.

**General keyboard/video problems**

If the site has 3-phase AC power, make sure that the ServSelect, the shared monitor, and all attached computers are on the same phase. For best results, keep all equipment in the ServSelect system on the same circuit.

Use only Black Box EHN056 cable to connect the ServSelect to your computers. Before you try to use some other cable or cables for this purpose, please be aware:

- We can't guarantee that your ServSelect system will work properly with such cable.
- We will not be able to support your ServSelect system if you use such cable.
- We *will not be responsible* if such cable damages the equipment connected to your ServSelect.

Do not use a 2-wire extension cord with the ServSelect (or with any electronic device, for that matter).

Test the AC outlets that the computers, ServSelect, and monitor are plugged into. Make sure that they are properly grounded and have the proper polarity.

If you are using backup power supplies (BPS) or uninterruptible power supplies (UPS), power the computers, ServSelect, and the monitor from the same BPS/UPS if possible.

**Paired system locks up**

If the keyboard, mouse, and ServSelect pushbuttons don't work, try to bring up the OSD menu (see **Section 4.3.1**). If it comes up, reselect your channel and make sure it functions normally; if it doesn't, call Black Box Technical Support as described in **Section 5.2**.

If the OSD menu doesn't come up, make sure that the Pairing Cable Kit cables (see **Section 3.3.3**) are securely attached to both units. If they are, try bringing up the OSD menu again. If you still can't, call Black Box Technical Support as described in **Section 5.2**.

## 5.2 Calling Black Box

If you determine that your ServSelect is malfunctioning, *do not attempt to alter or repair the unit*. It contains no user-serviceable parts. Contact Black Box Technical Support at 724-746-5500.

Before you do, make a record of the history of the problem. We will be able to provide more efficient and accurate assistance if you have a complete description, including:

- the nature and duration of the problem.
- when the problem occurs.
- the components involved in the problem—that is, what type of PCs, what type of keyboard, brand of mouse, make and model of monitor, etc.
- any particular application that, when used, appears to create the problem or make it worse.
- the results of any testing you've already done.

Filling out a copy of the Problem Report in **Appendix A** should provide most of the information we need to get started.

## 5.3 Shipping and Packaging

If you need to transport or ship your ServSelect:

- Package it carefully. We recommend that you use the original container.
- Before you ship the unit back to Black Box for repair or return, contact us to get a Return Materials Authorization (RMA) number.

# Appendix A: Problem Report

If you should ever have trouble with your ServSelect system that you can't solve, we suggest that, before you call Black Box Technical Support, you make a photocopy of this three-page problem report and fill it out completely. That way, you will have all the information that we are liable to ask for up front ready and waiting, especially if we need you to fax it to us. Thanks!

Company Name: \_\_\_\_\_

Contact Name: \_\_\_\_\_

Customer Number (if you've been assigned one; if you are the only person who calls in from your company, this number should be in the blue box on the back cover of your catalog): \_\_\_\_\_

Contact Number (if you haven't been assigned a Customer Number; this can also be found in the blue box on the back cover of your catalog):  
\_\_\_\_\_

Service-Call Number (if you've been assigned one as a result of an earlier call about this problem): \_\_\_\_\_

ServSelect Model #: \_\_\_\_\_ Serial #: \_\_\_\_\_ Revision: \_\_\_\_\_

Make and Model of Monitor: \_\_\_\_\_

Make and Model of Keyboard: \_\_\_\_\_

Make and Model of Mouse: \_\_\_\_\_

Firmware Summary (what the unit sends in response to the <CM>AV[Enter] command—see **Section 4.2.3**):

Plus One = \_\_\_\_\_ N1 = \_\_\_\_\_ N2 = \_\_\_\_\_ N3 = \_\_\_\_\_ N4 = \_\_\_\_\_

Version Information (what the unit sends when you select this option from the OSD Command Menu—see **Section 4.3.3**): \_\_\_\_\_

List any equipment, other than the ServSelects, the computers themselves, and the shared monitor, keyboard, and mouse, that is attached to your ServSelect system: \_\_\_\_\_

---

---

---

---

---

---

---

Describe the problem carefully, answering all the issues raised in **Section 5.2:** \_\_\_\_\_

---

---

---

---

---

---

---

---

---

---

---

---

---

---

---

---

---

---

---

---

---

---

---

---

---

---



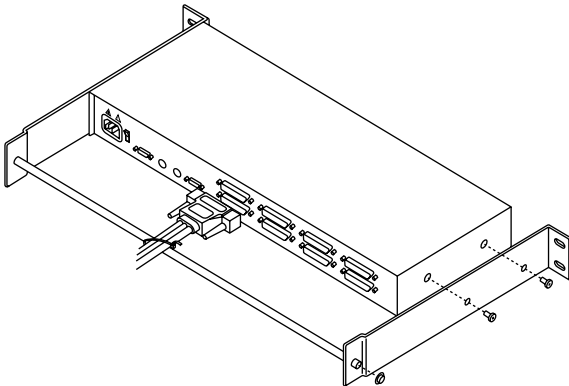
Fill out this chart for every computer attached to the system. (If you have a cascaded system with more than eight computers, make multiple copies of this chart, or prepare your own version of it.)

<b>Port</b>	<b>Computer Mfr./ Model</b>	<b>BIOS Mfr./ Model</b>	<b>Operating System</b>	<b>Graphics Card Make/ Model</b>	<b>Video Res./ Scan Rt.</b>
<b>A</b>					
<b>B</b>					
<b>C</b>					
<b>D</b>					
<b>E</b>					
<b>F</b>					
<b>G</b>					
<b>H</b>					

# Appendix B: Rackmounting the ServSelect

Use a ServSelect Rackmount Kit (our product code RMK19K) to mount an -R3 model of the ServSelect (KV104A-R3 or KV108A-R3) in a 19" rack. (To mount an -R2 model of the ServSelect, use the ServSelect -R2 Rackmount Kit, RMK19H). Each of these Kits consists of two rackmounting side brackets, a cable-support rod, two press-on caps, and a set of tie wraps. To use a Kit to mount a ServSelect, take these steps, referring to Figure B-1 below:

1. Remove the two screws that secure each side of the housing of the ServSelect.
2. Line up the holes in the "long side" of the Kit's side brackets with the screwholes in the ServSelect.
3. Thread the screws that you removed in step 1 through the holes in each of the Kit's side brackets and back into the screwholes on the ServSelect. Completely tighten (but don't overtighten) these screws.
4. Press one of the included caps onto one end of the cable-support rod. Slide the rod through both brackets as shown below, then press the other cap onto the other end of the rod.
5. Once the rackmount assembly is ready, match the holes in the "short side" of each bracket to an appropriate set of matching holes on your equipment rack, then screw the assembly to the rack using your own screws, bolts, or cage nuts (not included). When you install your ServSelect cabling, you can use the included tie wraps to secure cables to the cable-support rod.



**Figure B-1. Attaching the rackmount brackets.**

## NOTES

## NOTES

## NOTES