



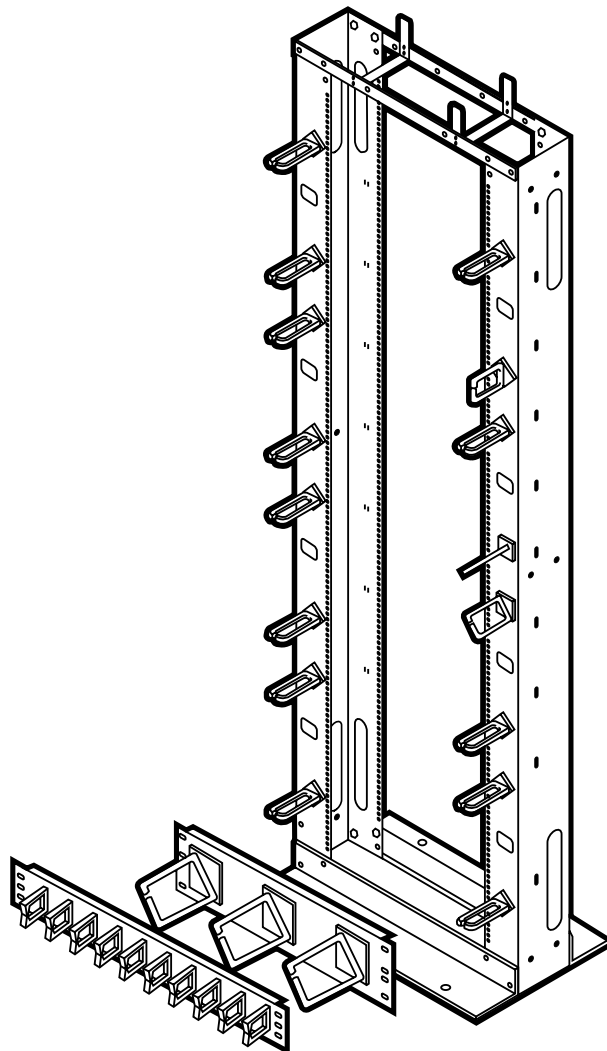
VPN: ISBB04

© Copyright 1999. Black Box Corporation. All rights reserved.

1000 Park Drive • Lawrence, PA 15055-1018 • 724-746-5500 • Fax 724-746-0746



Cable Manager-Latch Type Cable Manager-Hanger Type Rack Manager-10/32 Rack Manager-12/24



**CUSTOMER
SUPPORT
INFORMATION**

Order **toll-free** in the U.S. 24 hours, 7 A.M. Monday to midnight Friday: **877-877-BBOX**
FREE technical support, 24 hours a day, 7 days a week: Call **724-746-5500** or fax **724-746-0746**
Mail order: **Black Box Corporation**, 1000 Park Drive, Lawrence, PA 15055-1018
Web site: www.blackbox.com • E-mail: info@blackbox.com

1. Specifications

Size—JPM146A: 1¾"H x 19 or 23"W x 1½"D (4.5 x 48.3 or 58.4 x 3.8 cm); JPM147A: 3½"H x 19 or 23"W x ½"D (8.9 x 48.3 or 58.4 x 1.3 cm); RM350A-R2, RM351A-R2: 84"H x 19"W x 5"D (213.4 x 48.3 x 12.7 cm)

Weight—JPM146A, JPM147A: 1 lb. (0.45 kg); RM350A-R2, RM351A-R2: 50 lb. (22.7 kg)

2. Introduction

2.1 Available Models

Product Code	Product Name
JPM146A	Cable Manager-Latch Type
JPM147A	Cable Manager-Hanger Type
RM350A-R2	Rack Manager-10/32
RM351A-R2	Rack Manager-12/24

2.2 Description

The Rack Manager lets you combine all the attributes of a relay rack, raceway and cable routing into one complete unit. The Rack features a new proprietary cable management hanger, which is mountable in 45-degree increments.

The Rack Managers are drilled and tapped with 10/32" (RM350A-R2) or 12/24" (RM351A-R2) mounting holes, per EIA universal spacing, on both front and rear flanges.

These all-aluminum racks accommodate standard 19" wide panels, hubs, concentrators, and other data-comm equipment in a single rack with built-in cable ties, cable hangers, and provisions for organized routing of wire and cable.

The Rack is shipped knocked down and requires assembly.

Additional features include:

- Twice the normal space for wire and cable management.
- Double-bolted design at front and rear; top and bottom for extra rigidity and to assure squareness.
- Unique lance design with 20 quick-release cable ties.
- Slotted back for additional cable ties designed in areas for mounting accessory ties (7 per side).
- 16 cable hangers per unit can be mounted vertically, horizontally, or at 45-degree increments for fiberoptic cable.
- 4 cable access cutouts on front of each side.
- 10" x 1½" grommeted openings in the back and side of each channel.

2.3 What's Included

You should have received the following components. Refer to Figure 1 as you identify where each part goes.

Item 1	(2) side channels
Item 2	(2) bottom angles (floor mount)
Item 3	(2) top crossbars
Item 4	(2) top of rack cable guides
Item 5	(16) $\frac{3}{8}$ -16 x 1" hexbolts
Item 6	(16) $\frac{3}{8}$ " lockwashers
Item 7	(16) $\frac{3}{8}$ -16 hexnuts
Item 9	(8) 8-32 x $\frac{1}{2}$ " screws
Item 10	(16) cable hangers
Item 11	(32) 10-32 x $\frac{5}{16}$ " screws
Item 12	14 feet (4.3 m) of edge grommet
Item 13	(20) releasable cable wraps
Item 14	(8) 2" square holes

Additional Cable Managers are available. These panels are designed to hold and guide wire, cable, and fiberoptic cable horizontally and vertically.

The JPM146A features small latch gates, while the JPM147A has cable hangers. Both models come in 19" or 23" widths and are made with 18-gauge steel.

2.4 Before You Begin Assembling Rack Manager

You will need the following tools in order to assemble the Rack Manager:

- $\frac{1}{6}$ " socket and ratchet
- $\frac{1}{6}$ " end wrench or crescent wrench
- A Phillips screwdriver

3. Installation

3.1 Assemble the Frame

- a) Lay the side channels (1) on edge with the open sides facing each other.
- b) Align the holes in the bottom angle (2) with the holes on the face of the side channel. Attach with 4 hexbolts (5), 4 lockwashers (6), and 4 hexnuts (7). Do not tighten at this time.
- c) Align the holes in the top crossbar (3) with the holes in the side channel and attach with 4 hexbolts (5), 4 lockwashers (6), and 4 hexnuts (7). Do not tighten at this time.
- d) Turn the frame over and attach the remaining bottom channel (2) and the top crossbar (3).
- e) Square the frame and tighten all hardware.

3.2 Attach the Accessories

- a) Install the cable guide (4) between the top crossbars and attach with 4 screws (9). Repeat for the second cable guide and tighten the hardware.
- b) Attach the cable hangers (10) to the front of the unit as desired. Hangers may be rotated in 45-degree increments. Attach each hanger with 2 screws (11).
- c) Cable wraps (13) may be attached to anchor points inside the channel or through slots on the rear of the channel. Cable wraps can be released by depressing the tab on the wrap.
- d) Nylon edge grommet (12) may be installed around large openings at the top and bottom of the unit. Edge grommet may also be installed in openings on the front of the unit.

CABLE MANAGER AND RACK MANAGER

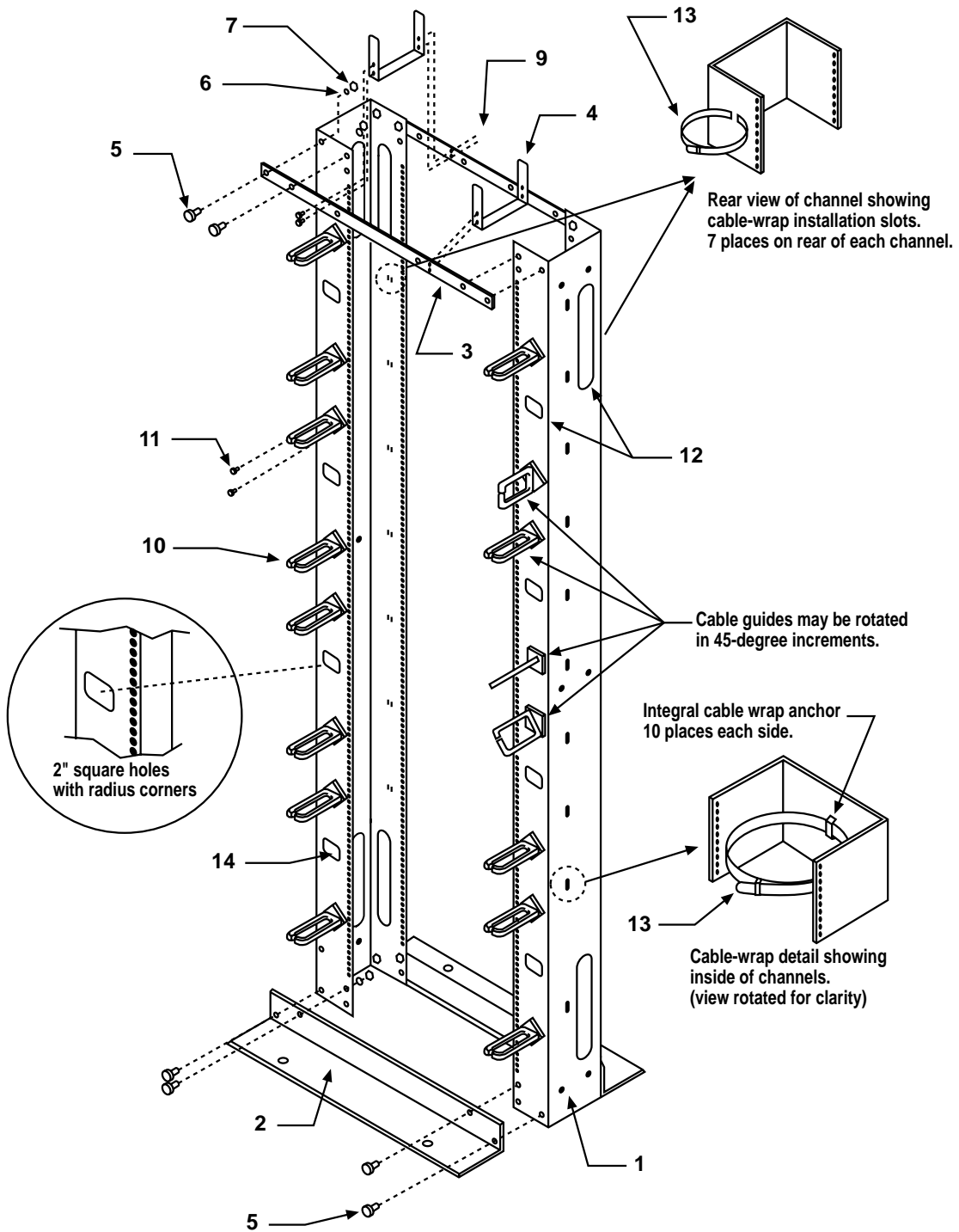


Figure 1. Identifying Parts of the Rack.