

## The Cable Stay 350 (JPM143A)

The Cable Stay 350, shown in **Figure 2** at right, has one Velcro strap. It is designed for rack or cabinet applications where cables often hang loosely and are prone to be tangled, twisted, or accidentally disconnected or damaged.

To install the Cable Stay 350, mount it on a rack or cabinet rail with screws (not included) guided through the Cable Stay's screw slots. It will mount *over* existing rack- or cabinet-mounted equipment and *does not require free rack or cabinet-rail space*.

### Specifications for Cable Stay 350 (JPM143A):

**Mounting Method** — Screw-down

**Velcro** — (1) strap 1"W x 10"L (2.5 x 25.4 cm)

**Size** — 3.5"H x 1"W x 3"D (8.9 x 2.5 x 7.6 cm)

**Weight** — 0.2 lb. (0.1 kg)

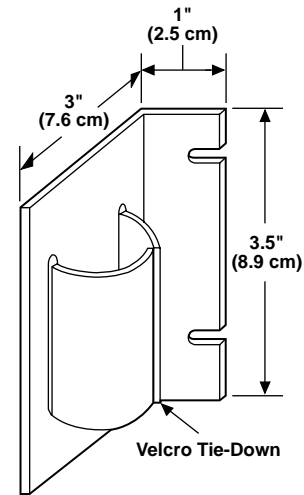


Figure 2. The Cable Stay 350 (JPM143A).

## The Cable Stay 1900 (JPM144A)

The Cable Stay 1900, shown in **Figure 3** below, has four Velcro straps. It is also designed for rack or cabinet applications. It functions as a standard blank panel when not securing cables.

To install the Cable Stay 1900, mount it on a rack or cabinet rail with screws (not included) guided through the Cable Stay's screw slots.

### Specifications for Cable Stay 1900 (JPM144A):

**Mounting Method** — Screw-down

**Velcro** — (4) straps 1"W x 8"L (2.5 x 19 cm)

**Size** — 1.7"H x 19"W (4.3 x 48.3 cm)

**Weight** — 0.7 lb. (0.3 kg)

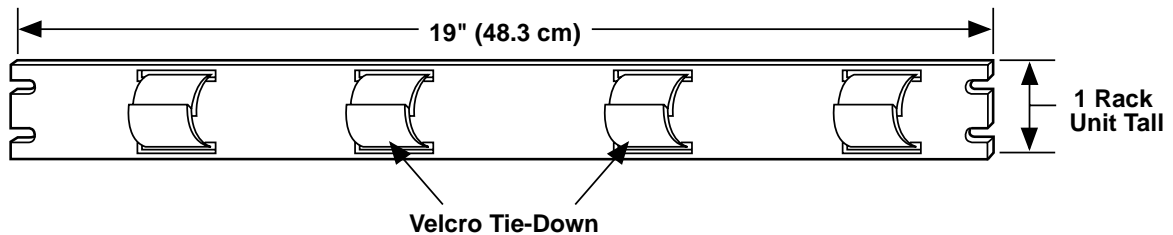


Figure 3. The Cable Stay 1900 (JPM144A).

## The Cable Stay 150 (JPM145A)

The Cable Stay 150, shown in **Figure 4** at right, has one Velcro strap. It is designed for critical-cable segregation and isolation in raised-floor applications. However, it has double-sided tape backing, so you can install it on the edges of counters, shelves, furniture—almost anywhere you need it to go. It pivots to secure cable horizontally or vertically.

To install the Cable Stay 150, use the included permanent cable wrap to tie it to a furniture leg, or use its tape backing or screws (not included) to mount it on a suitable protruding edge.

### Specifications for Cable Stay 150 (JPM145A):

**Mounting Method** — Tie-, tape-, or screw-down

**Tape Strength** — 40 lb./in.<sup>2</sup> (2.8 kg/cm<sup>2</sup>)

**Velcro** — (1) strap 1"W x 8"L (2.5 x 19 cm)

**Size** — 1.5"H x 1.5"W x 1.5"D (3.8 x 3.8 x 3.8 cm)

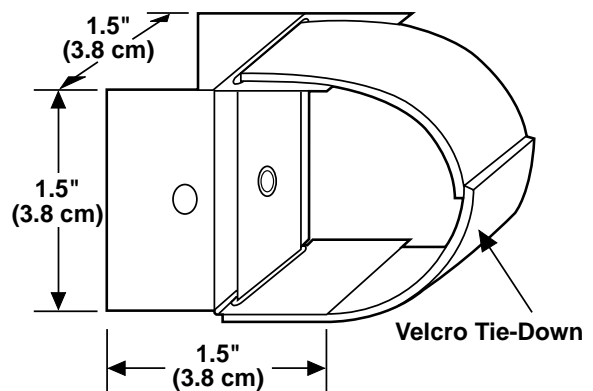


Figure 4. The Cable Stay 150 (JPM145A).

© Copyright 1995. Black Box Corporation. All rights reserved.

1000 Park Drive • Lawrence, PA 15055-1018 • 724-746-5500 • Fax 724-746-0746

Velcro is a registered trademark of Velcro USA.

Any other trademarks mentioned in this manual are acknowledged to be the property of the trademark owners.



# Cable Stays

Thank you for purchasing our Cable Stays. We know they'll go a long way toward making cable management at your site easy.

The Cable Stays are designed to replace cable ties and D-rings. They are solid steel enamel-finished brackets that you can mount in a variety of useful places. Their easy-to-use, reliable Velcro® tiedown straps help you secure practically any type of cable—power, datacomm, network, telephone, video, audio, you name it. By keeping cable in order and out of the way, the Cable Stays not only improve security and eliminate potential workplace hazards, they also improve the aesthetics of the cabling area and relieve cable strain.

There are four Cable Stay models to suit a range of applications: the multipurpose Cable Stay 1200, the sidemount Cable Stay 350, the rackmount Cable Stay 1900, and the edgemount Cable Stay 150. These are described in the next four sections.

## The Cable Stay 1200 (JPM142A)

The Cable Stay 1200, shown in **Figure 1** below, has three Velcro straps. It is ideal for cabinet applications where cable management is difficult. It's also an excellent choice for desktop applications where cables (including mouse and keyboard cables) are loose and prone to being accidentally disconnected or damaged.

To install the Cable Stay 1200, mount it on a cabinet, rail, desktop, PC housing, or monitor with the included heavy-duty double-sided tape backing. (The unit also has screw holes for screw-mounting, if you'd rather do that, but screws are not included.)

### Specifications for Cable Stay 1200:

- Mounting Method** — Tape-down or screw-down
- Tape Strength** — Approx. 40 lb./in.<sup>2</sup> (2.8 kg/cm<sup>2</sup>)
- Velcro** — (3) straps 1"W x 8"L (2.5 x 20 cm)
- Size** — 0.8"H x 1.3"W x 12"D (2 x 3.2 x 30.5 cm)

### Specifications for All Cable Stays:

- Material** — 14-gauge CRS steel
- Finish** — Baked enamel

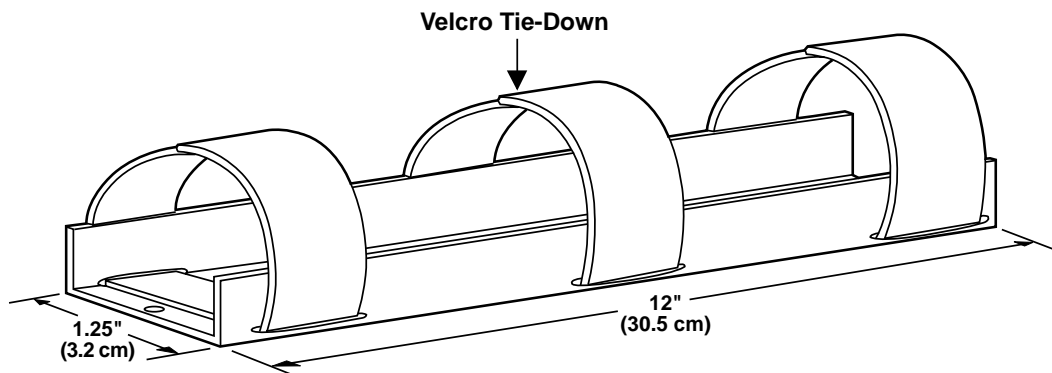


Figure 1. The Cable Stay 1200 (JPM142A).