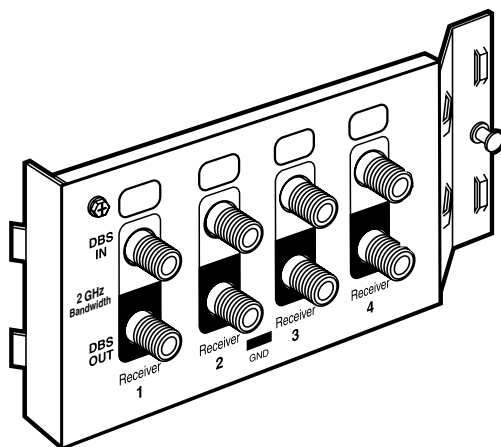




Pure Home Networking 4 x 4-Port Digital Broadcast Satellite Video/Audio Module



1. Specifications

Connectors: (8) F-type

Size: 3"H x 6.3"W (7.6 x 16 cm)

Weight: 0.7 lb. (0.3 kg)

2. Overview

The Pure Home Networking 4 x 4-Port Digital Broadcast Satellite Video/Audio Module should be installed in one of the Pure Home Networking Boxes (JHN1014A, JHN1020A, JHN1030A, or JHN1040A).

This passive module is designed and created for the central demarcation of satellite cables. It's compatible with systems from Dish Network, DirectTV, and many satellite providers. Check with your service provider for specific details and instructions.

3. Installation

3.1 Tools You'll Need

- RG-6 connectors
- RG-6 cable
- RG-6 cable cutter
- RG-6 cable stripper
- RG-6 hex crimping tool

3.2 Cable Handling Guidelines

- Do not route data cables through the same cable holes as the AC power cables.
- For safety, separate all data cables from parallel AC power lines by at least 6 inches (15.2 cm) whenever possible. Avoid kinking the cable.

- Do not attach cable tie-downs too tightly. The cable-fastening hardware should not compress the cable sheath.
- Do not bend the cable sharply. Place the cables properly in the cable management after passing them through the holes, since the edges of the hole can compress or damage the cable sheath.
- When installing an individual module in the Pure Home Networking Box, place it above or below the interfacing module (if possible). This will eliminate excessive cable crossing.
- For your safety, do not use this or any electrical product near water (unless it is specifically designed for wet areas). Do not install wiring during thunder and lightning storms.
- Use caution when handling or installing any computer, telephone, video, or electrical devices.

3.3 Installing a Module in the Pure Home Networking Box

1. Determine the area for installation.
2. Position the metal tabs on the left side of the module at a 45-degree angle and slide them into the rail holes on the Pure Home Networking Box.
3. Insert the metal tabs on the right side of the module into the rail.
4. Press the button to fasten the module to the Pure Home Networking Box.

3.4 Removing a Module from the Pure Home Networking Box

1. Press the button and hold it in while pulling the module from the Pure Home Networking Box.
2. Swing the module out.

3.5 Module Configuration

The 4 x 4-Port Digital Broadcast Satellite Video/Audio Module is a pass-through satellite grounding bus, rated at 2 GHz.

For standard satellite connections, you will need the module. You will also need to create the necessary coaxial connections for your application. To do so, you will need the tools listed in **Section 3.1**.

1. Install the Pure Home Networking 4 x 4-Port Digital Broadcast Satellite Video/Audio Module and connect all incoming devices, such as satellite feeds.

NOTE

If you are using a multi-switch, place it inline between the 4 x 4-Port Digital Broadcast Satellite Video/Audio Module and the satellite dish.

2. Next, install the output cables from the 4 x 4-Port Digital Broadcast Satellite Video/Audio Module to the desired receivers or cable box.

NOTE

Do not use a splitter between the module and your receiver or cable box. Doing so will greatly degrade the signal, resulting in poor reception.

3. Attach one end of the grounding wire (included) to the connector on the 4 x 4-Port Digital Broadcast Satellite Video/Audio Module and the other end of the connector to one of the grounding screws on the Pure Home Networking Box.

Figure 3-1 shows a sample application.

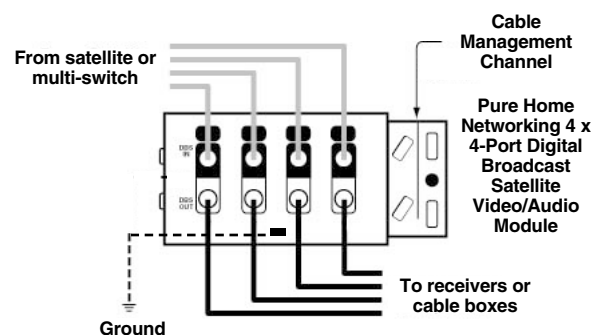


Figure 3-1. Typical setup.

Any trademarks mentioned in this manual are acknowledged to be the property of the trademark owners.

© Copyright 2005. Black Box Corporation. All rights reserved.

1000 Park Drive • Lawrence, PA 15055-1018 • 724-746-5500 • Fax 724-746-0746