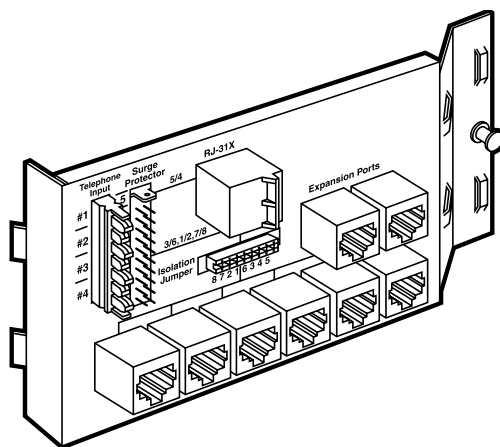




Pure Home Networking CAT3 Telephone Modules and CAT5e Data/Telephone Module



1. Specifications

Connectors: JHN2011A: (1) 4-pair 110-type termination block, (1) surge protector interface, (1) isolation jumper, (2) RJ-45 expansion ports, (12) RJ-45 telephone ports;

JHN2012A: (1) 4-pair 110-type termination block, (1) RJ-31X connector for security, (1) surge protector interface, (1) isolation jumper, (2) RJ-45 expansion ports, (6) RJ-45 telephone ports;

JHN2070A: (6) 4-pair 110-type termination blocks, (6) RJ-45 ports for phone or data

Size: 3"H x 6.3"W (7.6 x 16 cm)

Weight: JHN2011A: 0.6 lb. (0.3 kg);
JHN2012A: 0.7 lb. (0.3 kg);
JHN2070A: 0.5 lb. (0.2 kg)

2. Overview

The Pure Home Networking 1 x 12-Port CAT3 Expansion Telephone Module, Bridged, T568A (JHN2011A), the 1 x 6-Port CAT3 Telephone Module, Bridged, T568A (JHN2012A), and the Pure Home Networking 6-Port CAT5e Data/Telephone Module, T568A (JHN2070A) should be installed in one of the Pure Home Networking Boxes (JHN1014A, JHN1020A, JHN1030A, or JHN1040A).

The Pure Home Networking 1 x 12-Port CAT3 Expansion Telephone Module, Bridged, T568A (JHN2011A, see Figure 2-1) supports twelve T568A RJ-45 telephone connections from one four-pair phone line via 110-type termination or an RJ-45 input port. It includes two expansion ports, one surge protector interface, and one isolation jumper.

3. Installation

3.1 Tools You'll Need

- Punchdown tool
- UTP stripper
- Wire cutter

3.2 Cable Handling Guidelines

- Do not route telephone cables through the same cable holes as the AC power cables.
- For safety, separate all telephone cables from parallel AC power lines by at least 6 inches (15.2 cm) whenever possible. Avoid kinking the cable.
- Do not attach cable tie-downs too tightly. The cable-fastening hardware should not compress the cable sheath.
- Do not bend the cable sharply. Place the cables properly in the cable management after passing them through the holes, since the edges of the hole can compress or damage the cable sheath.
- When installing an individual module in the Pure Home Networking Box, place it above or below the interfacing module (if possible). This will eliminate excessive cable crossing.
- For your safety, do not use this or any electrical product near water (unless it is specifically designed for wet areas). Do not install wiring during thunder and lightning storms.
- Use caution when handling or installing any computer, telephone, video, or electrical devices.

3.3 Installing a Module in the Pure Home Networking Box

1. Determine the area for installation.
2. Position the metal tabs on the left side of the module at a 45-degree angle and slide them into the rail holes on the Pure Home Networking Box (see Figures 2-1 through 2-3).
3. Insert the metal tabs on the right side of the module into the rail.
4. Press the button to fasten the module to the Pure Home Networking Box.

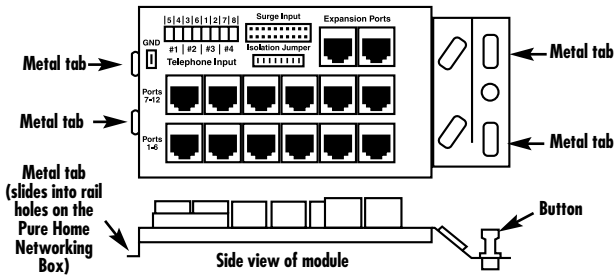


Figure 2-1. 1 x 12-Port CAT3 Expansion Telephone Module, Bridged, T568A (JHN2011A).

The Pure Home Networking 1 x 6-Port CAT3 Telephone Module, Bridged, T568A (JHN2012A, see Figure 2-2) functions in the same way as the 1 x 12-port version (pictured above and described on the previous page), but it supports six T568A RJ-45 telephone connections instead of twelve. It also includes an RJ-31X security system port, as well as six 1-foot (0.3-m) patch cables. The module interfaces with the 6-Port CAT5e Data/Telephone Module, T568A (JHN2070A).

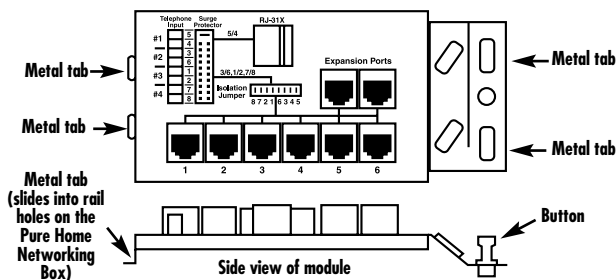


Figure 2-2. 1 x 6-Port CAT3 Telephone Module, Bridged, T568A (JHN2012A).

The Pure Home Networking 6-Port CAT5e Data/Telephone Module, T568A (JHN2070A) supports up to six T568A RJ-45 data and/or voice connections; it also has front 110-type punchdown termination. See Figure 2-3. It interfaces with the 1 x 6-Port CAT3 Telephone Module, Bridged, T568A (JHN2012A, described above).

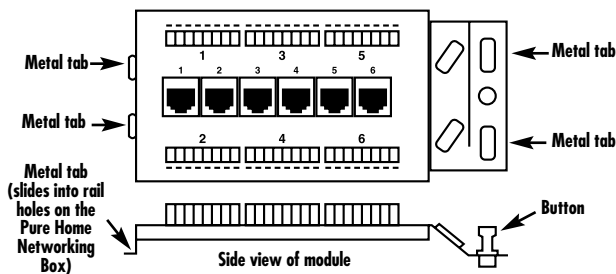


Figure 2-3. 6-Port CAT5e Data/Telephone Module, T568A (JHN2070A).

PURE HOME NETWORKING CAT3 TELEPHONE AND CAT5E DATA/TELEPHONE MODULES

3.4 Removing a Module from the Pure Home Networking Box

1. Press the button and hold it in while pulling the module from the Pure Home Networking Box.
2. Swing the module out.

3.5 Connecting the Cables to the Modules

3.5.1 6-PORT AND 12-PORT CATEGORY 3 TELEPHONE MODULES

Connect the incoming telephone line from your service provider by terminating it to the designated 110-type termination block.

1. The punchdown block is labeled to indicate where you may terminate each line (up to four lines).
2. Using the appropriate cable stripping tool, strip approximately 2" (5.1 cm) from the cable jacket.
3. Separate the pairs according to color (white-blue/blue, white-green/green, white-orange/orange, and white-brown/brown). See Figure 3-1.

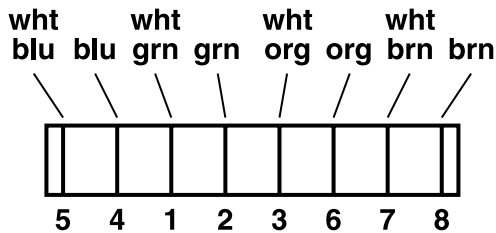


Figure 3-1. T568A wire colors.

4. To terminate the connection, place each wire into the insulation displacement contacts (IDC) by matching the wire color with the applicable colors on the terminal block (568A).

NOTE

We recommend untwisting the pairs no more than 0.5" (1.3 cm) from the termination point.

5. If you are using a 110-type punchdown tool, position the tool over each wire with the cutting blade facing outside of the IDC and punch down firmly.
6. Repeat the process with each pair.

We recommend that you use a surge protector (call Tech Support for details) to protect your module and phone system from lightning strikes and line surges. Attach the grounding wire to the ground jumper on the module. Attach the other end of the wire directly to the Pure Home Networking Box.

3.5.2 DATA/VOICE MODULE INSTALLATION

Connect the telephone lines to each room by terminating them to the designated 110-type termination block.

1. Follow steps 1 through 6 in Section 3.5.1.
2. Repeat these steps for each room in your installation.

After termination is complete, use 1-foot (0.3-m) patch cords to connect the RJ-45 ports from the 1 x 6-Port or 1 x 12-Port CAT3 Telephone Modules to the 6-Port CAT5e Data/Telephone Module(s).

Figures 3-2 and 3-3 show sample applications.

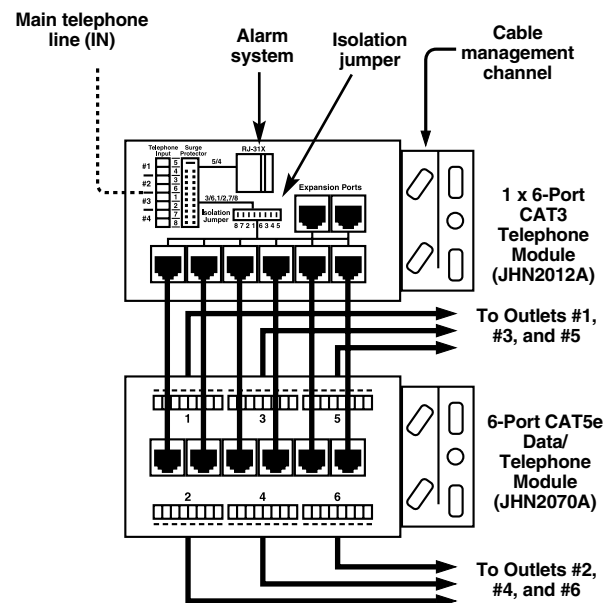


Figure 3-2. Typical setup using two modules.

3.6 Integrating a Security System

The RJ-31X connector on the 1 x 6-Port CAT3 Telephone Module is the connection point for your security system. This port allows your security system to override and take control of your telephone line when needed. Please refer to the security product manufacturer's instructions for proper installation.

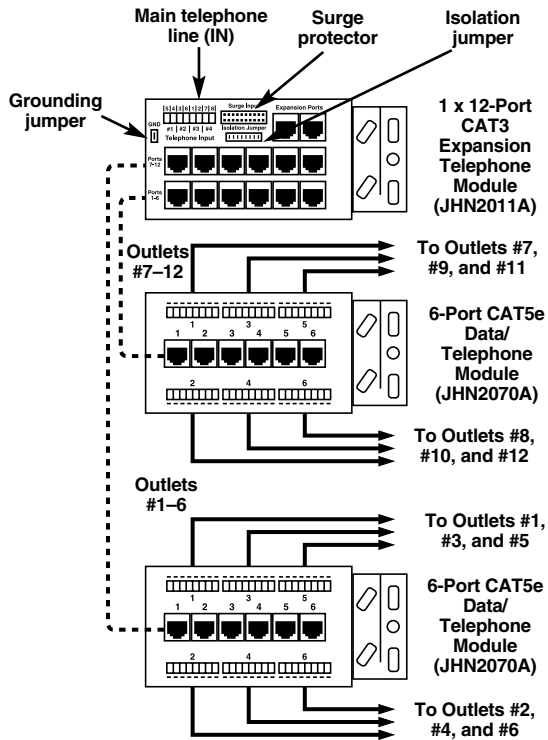


Figure 3-3. Typical setup using three modules.

Any trademarks mentioned in this manual are acknowledged to be the property of the trademark owners.

© Copyright 2005. Black Box Corporation. All rights reserved.