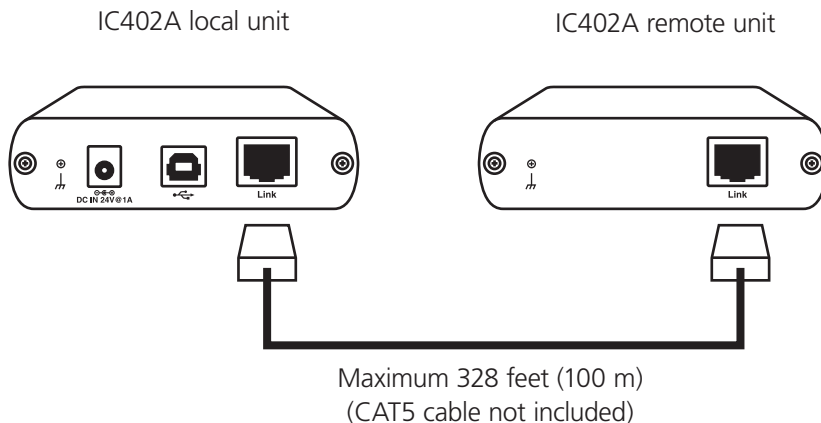


2-Port CAT5 USB 2.0 Extender w/Local Power Quick Start Guide

Break the 16-foot (5-m) USB distance barrier.
This local transmitter/remote receiver pair extends
USB up to 328 feet (100 meters) from a computer
over CAT5 cabling.

Before you get started, make sure that all the drivers required for your USB device(s) are installed.

1. Place the units where you want them and connect the CAT5 cabling to the Link ports (RJ-45) on the local and remote units.

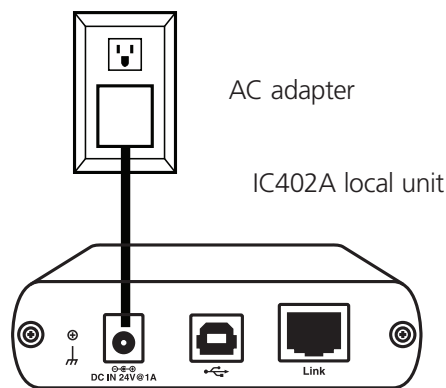


Trademarks Used in this Manual

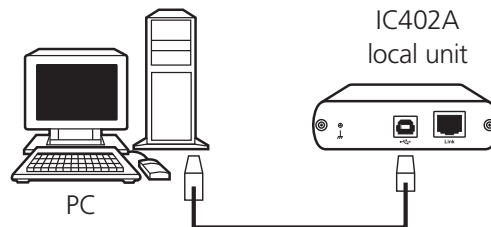
Black Box and the Double Diamond logo are registered trademarks of BB Technologies, Inc.

Any other trademarks mentioned in this manual are acknowledged to be the property of the trademark owners

2. Connect the local unit to the AC adapter.

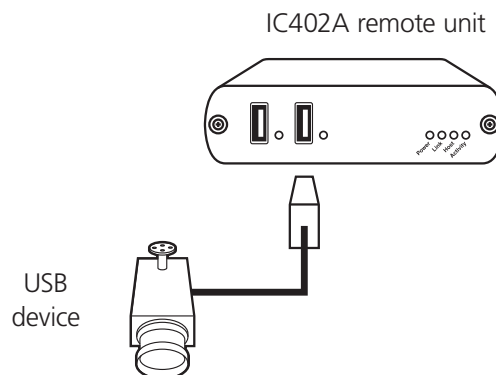


3. Connect the local unit to the computer.



NOTE: The power adapter is not required at the remote unit for normal operation.

4. Attach the USB device(s) to the remote unit.



© Copyright 2010. All rights reserved.

FREE, live, 24/7 Tech Support is just 20 seconds away.
724-746-5500 | blackbox.com