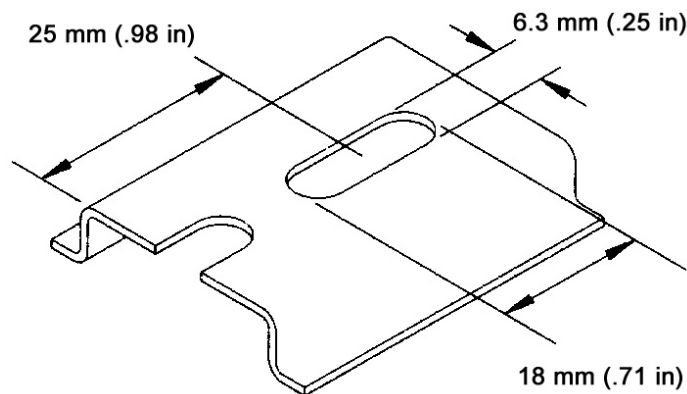


Model DR100 Mount DIN Rail Products in a Snap

Description

Model **DR100** is a one meter length of steel 35mm DIN rail. It can be used to mount any DIN rail designed product quickly. Perforations in the DIN rail make mounting of the rail an easy task. Coated for corrosion resistance.



Specifications

DIN type:	35 mm
Material:	Steel
Overall dimensions*:	1000.0 x 35.0 x 7.5 mm (39.4 x 1.38 x 0.3 in)
Perforation dimensions*:	18.0 x 6.3 mm (0.71 x 0.25 in)
Perforation spacing, center-to-center:	25.0 mm (0.98 in)

*Dimensions are approximate.