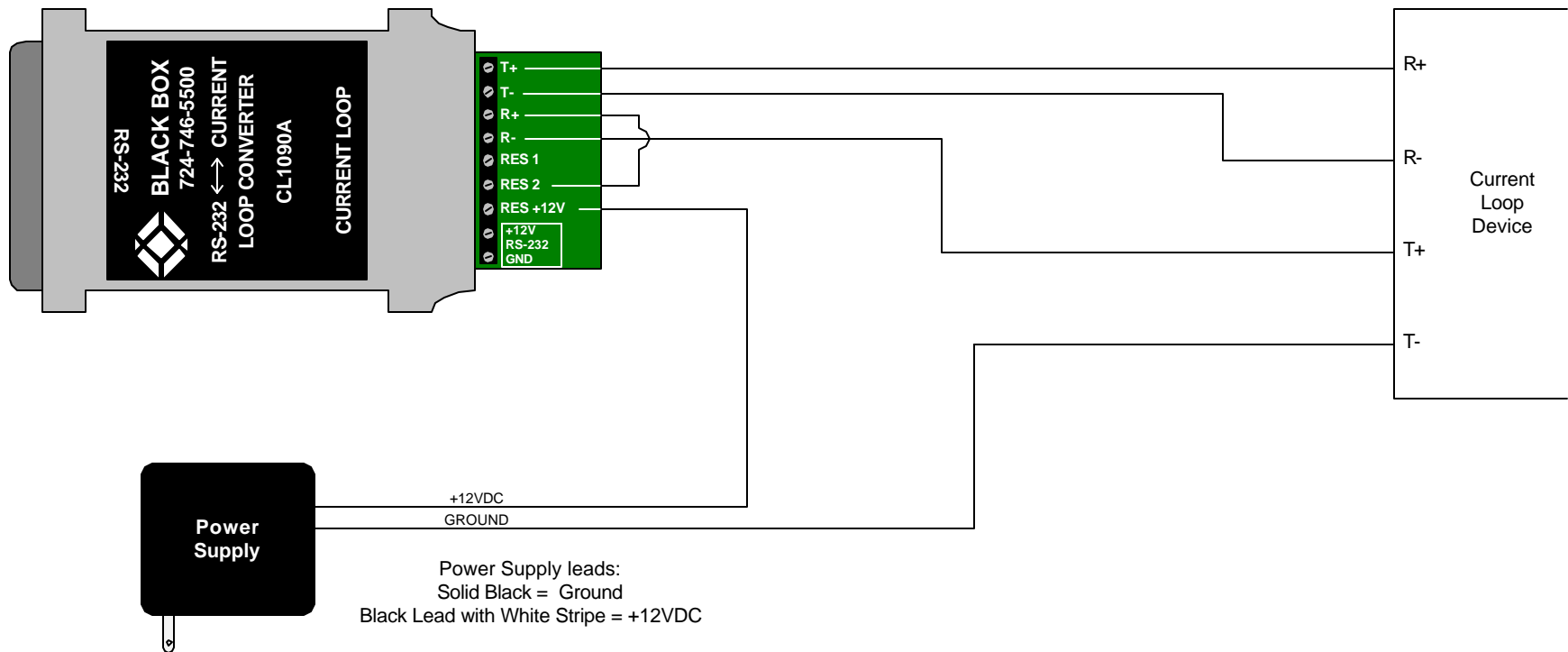


# CL1090A QUICK SETUP

## PASSIVE TRANSMIT / ACTIVE RECEIVE



CL1090A can be ordered with either a male or female DB25 RS-232 connector.

Male = CL1090A-M  
Female = CL1090A-F