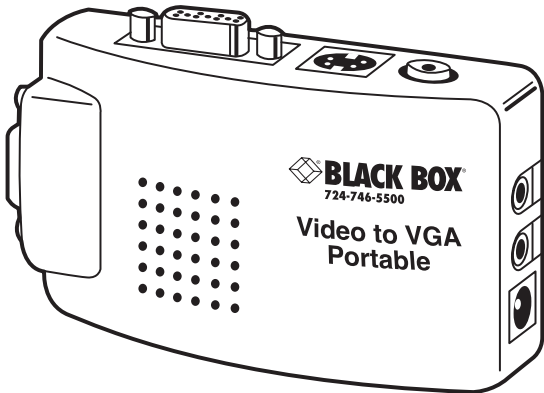




Video to VGA Portable



CUSTOMER SUPPORT INFORMATION

Order **toll-free** in the U.S.: Call **877-877-BBOX** (outside U.S. call **724-746-5500**)

FREE technical support 24 hours a day, 7 days a week: Call **724-746-5500** or fax **724-746-0746**

Mailing address: **Black Box Corporation**, 1000 Park Drive, Lawrence, PA 15055-1018

Web site: www.blackbox.com • E-mail: info@blackbox.com

**FEDERAL COMMUNICATIONS COMMISSION
AND INDUSTRY CANADA**

RADIO FREQUENCY INTERFERENCE STATEMENTS

Class B Digital Device. This equipment has been tested and found to comply with the limits for a Class B computing device pursuant to Part 15 of the FCC Rules. These limits are designed to provide reasonable protection against harmful interference in a residential installation. However, there is no guarantee that interference will not occur in a particular installation. This equipment generates, uses, and can radiate radio frequency energy, and, if not installed and used in accordance with the instructions, may cause harmful interference to radio communications. If this equipment does cause harmful interference to radio or telephone reception, which can be determined by turning the equipment off and on, the user is encouraged to try to correct the interference by one of the following measures:

- Reorient or relocate the receiving antenna.
- Increase the separation between the equipment and receiver.

- Connect the equipment into an outlet on a circuit different from that to which the receiver is connected.
- Consult an experienced radio/TV technician for help.

Caution:

Changes or modifications not expressly approved by the party responsible for compliance could void the user's authority to operate the equipment.

To meet FCC requirements, shielded cables and power cords are required to connect this device to a personal computer or other Class B certified device.

This digital apparatus does not exceed the Class B limits for radio noise emission from digital apparatus set out in the Radio Interference Regulation of Industry Canada.

Le présent appareil numérique n'émet pas de bruits radioélectriques dépassant les limites applicables aux appareils numériques de classe B prescrites dans le Règlement sur le brouillage radioélectrique publié par Industrie Canada.

NORMAS OFICIALES MEXICANAS (NOM) ELECTRICAL SAFETY STATEMENT

INSTRUCCIONES DE SEGURIDAD

1. Todas las instrucciones de seguridad y operación deberán ser leídas antes de que el aparato eléctrico sea operado.
2. Las instrucciones de seguridad y operación deberán ser guardadas para referencia futura.
3. Todas las advertencias en el aparato eléctrico y en sus instrucciones de operación deben ser respetadas.
4. Todas las instrucciones de operación y uso deben ser seguidas.
5. El aparato eléctrico no deberá ser usado cerca del agua—por ejemplo, cerca de la tina de baño, lavabo, sótano mojado o cerca de una alberca, etc.
6. El aparato eléctrico debe ser usado únicamente con carritos o pedestales que sean recomendados por el fabricante.
7. El aparato eléctrico debe ser montado a la pared o al techo sólo como sea recomendado por el fabricante.
8. Servicio—El usuario no debe intentar dar servicio al equipo eléctrico más allá a lo descrito en las instrucciones de operación. Todo otro servicio deberá ser referido a personal de servicio calificado.
9. El aparato eléctrico debe ser situado de tal manera que su posición no interfiera su uso. La colocación del aparato eléctrico sobre una cama, sofá, alfombra o superficie similar puede bloquea la ventilación, no se debe colocar en libreros o gabinetes que impidan el flujo de aire por los orificios de ventilación.

10. El equipo eléctrico deber ser situado fuera del alcance de fuentes de calor como radiadores, registros de calor, estufas u otros aparatos (incluyendo amplificadores) que producen calor.
11. El aparato eléctrico deberá ser conectado a una fuente de poder sólo del tipo descrito en el instructivo de operación, o como se indique en el aparato.
12. Precaución debe ser tomada de tal manera que la tierra fisica y la polarización del equipo no sea eliminada.
13. Los cables de la fuente de poder deben ser guiados de tal manera que no sean pisados ni pellizcados por objetos colocados sobre o contra ellos, poniendo particular atención a los contactos y receptáculos donde salen del aparato.
14. El equipo eléctrico debe ser limpiado únicamente de acuerdo a las recomendaciones del fabricante.
15. En caso de existir, una antena externa deberá ser localizada lejos de las líneas de energia.
16. El cable de corriente deberá ser desconectado del cuando el equipo no sea usado por un largo periodo de tiempo.
17. Cuidado debe ser tomado de tal manera que objetos líquidos no sean derramados sobre la cubierta u orificios de ventilación.
18. Servicio por personal calificado deberá ser provisto cuando:
 - A: El cable de poder o el contacto ha sido dañado; u
 - B: Objetos han caído o líquido ha sido derramado dentro del aparato; o
 - C: El aparato ha sido expuesto a la lluvia; o
 - D: El aparato parece no operar normalmente o muestra un cambio en su desempeño; o
 - E: El aparato ha sido tirado o su cubierta ha sido dañada.

1. Specifications

Minimum System Requirements: VESA VGA compatible monitor, speaker with 4 ohms impedance, video input device (such as a VCR, camcorder, laser-disc player, DVD, etc.); no specific PC system required

Compliance: FCC Part 15 Class B, CE

Size: 1.2"H x 2.2"W x 3.7"D (3 x 5.5 x 9.5 cm)

Weight : 0.25 lb. (0.1 kg)

2. Introduction

2.1 Description

The VGA to Video Portable can turn any VGA monitor into a video monitor with remote switching capability. This converter is ideal for any situation (for example, home computing, educational equipment, or professional presentation equipment) where video capability is required on a VGA monitor.

The VGA to Video Portable converts any video signal into a non-interlaced VGA signal for CRT or LCD monitors. Just plug a VCR, DVD, camcorder, or any other video device into the VGA to Video Portable and connect to a VGA monitor. A credit-card-sized remote control provides switching between the composite source, the S-video source, and the adapter (via VGA input). No software installation is necessary.

Minimum system requirements are a VESA VGA compatible monitor, a speaker with 4 ohms impedance, and a video input device (such as a VCR, camcorder, laser-disc player, DVD, etc.). No specific PC system is required.

Additional features include:

- Superior video quality.
- Supports composite video, S-Video, and VGA input.
- On-screen display (OSD) function.
- Outputs to VGA monitor.
- Supports all video standards: PAL BGHI/NTSC M, NTSC4.43 (50 Hz)/PAL4.43 (60 Hz), PAL N/NTSC4.43 (60 Hz), NTSC N/PAL M, and SECAM video systems.
- Brightness, Contrast, Color, and Hue control.
- 0.6W (8-ohm) stereo power amplifier for LINE IN.
- Small, portable size.

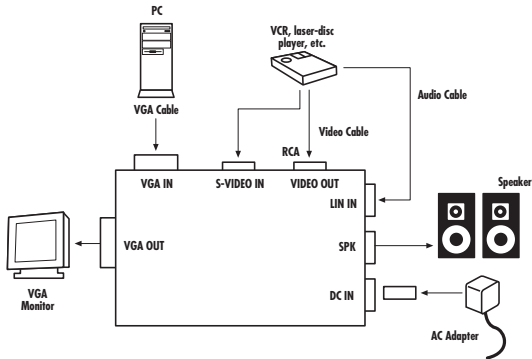
2.2 Package Contents

Listed below is everything you should have received when you ordered the VGA to Video Portable. If any of these items are missing, please call us at 724-746-5500.

- (1) VGA to Video Portable
- (1) Remote controller
- (1) 1-ft. (0.3-m) VGA cable, male/male
- (1) 9-ft. (2.7-m) S-Video cable
- (1) 9-ft. (2.7-m) composite cable
- (1) AC adapter (6V, 300 mA)
- This users' manual

3. Installation

Refer to the illustration below before you install the VGA to Video Portable. Following the illustration is a description of each connector (and what it connects to) and button.



VIDEO IN: Connect to the video source's (VCR, V8, or TV game, for example) VIDEO OUT.

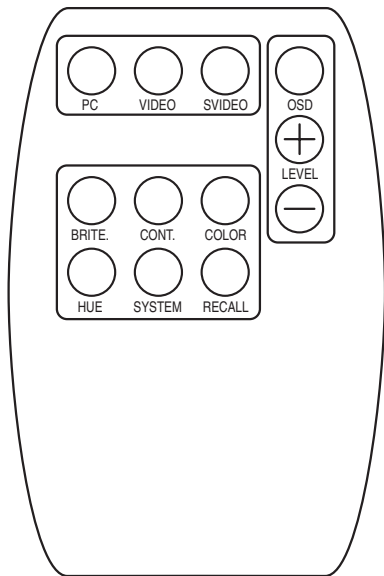
S-VIDEO IN: Connect to the video source's S-VIDEO OUT.

VGA TO VIDEO PORTABLE

- VGA IN:** Connect to a VGA card with the supplied VGA cable.
- VGA OUT:** Connect to your original VGA monitor.
- LINE IN:** Stereo audio signal input. Connect to your audio source's (VCR, V8, or TV game, for example) AUDIO OUT.
- SPK:** Stereo power amplifier output. Connect to a speaker with 4 to 8 ohms impedance.
- DC IN:** Connect to the supplied AC adapter.
- PC/AV:** Input-source selection button. Switch between VGA IN, VIDEO IN, and S-VIDEO IN.
- IR:** Infrared input of remote controller.

4. Operation

Once you've made all the connections in **Chapter 3**, you can use the remote control to switch input sources and adjust picture quality.



- PC:** Switch to VGA IN.
- VIDEO:** Switch to VIDEO IN.
- SVIDEO:** Switch to S-VIDEO IN.
- OSD:** On-screen display button. Displays input signal status.
- BRITE.:** Brightness adjustment. Press this button, then press “+” or “-” to increase or decrease the brightness level.
- CONT.:** Contrast adjustment. Press this button, then press “+” or “-” to increase or decrease the contrast level.
- COLOR:** Color adjustment. Press this button, then press “+” or “-” to increase or decrease the color level.
- HUE:** Hue adjustment. Press this button, then press “+” or “-” to increase or decrease the hue level.

SYSTEM: Video system selection button. Press this button to select PAL BGHI/NTSC M, NTSC4.43 (50 Hz)/PAL4.43 (60 Hz), PAL N/NTSC4.43 (60 Hz), NTSC N/PAL M, or SECAM/PAL4.43 (60 Hz).

RECALL: Reset the brightness, contrast, color, and hue to factory-default settings.

TRADEMARKS USED IN THIS MANUAL

Any trademarks mentioned in this manual are acknowledged to be the property of the trademark owners.



© Copyright 2000. Black Box Corporation. All rights reserved.

1000 Park Drive • Lawrence, PA 15055-1018 • 724-746-5500 • Fax 724-746-0746