



BLACK BOX[®]

NETWORK SERVICES

WIZARD USB KVM EXTENDER KIT



Key Features

- ▶ 120 metres 1600 x 1200 resolutions supported
- ▶ Transparent USB 1.1. using integral Icron™ technology
- ▶ Fits into ACU5000A chassis using a single slot
- ▶ 4 port USB hub included at the receiver end
- ▶ Video compensation (bandwidth) adjustment by recessed pot adjuster – 4 brightness levels may be selected using option switches
- ▶ High quality, very low noise bi-directional stereo audio using dedicated differential signalling
- ▶ Interface powered at the computer end, IEC PSU at the user end
- ▶ Implements emulated DDC
- ▶ Preserves all sync polarities

USB and VGA over a single CatX cable

The new Wizard USB Extender combines computer video (VGA) high resolution extension with high-speed data extension for distances up to 100m over a single Cat 5/ 5e/6 (Cat X) cable!

High image quality
The VGA part supports on skew-less Cat X cables resolutions up to 1600x1200x75Hz in crystal clear quality.

For cables with more skew the external Skew compensation module ACU5100A can be used (only relevant for hi-res over long distance!) The image quality can easily be personalised via 2 DIP switches and a recessed pot adjuster within seconds.

Transparent USB 1.1
The Wizard USB Extender is compatible to USB protocols 1.1. So it runs even 12Mbps down the link at full distance.

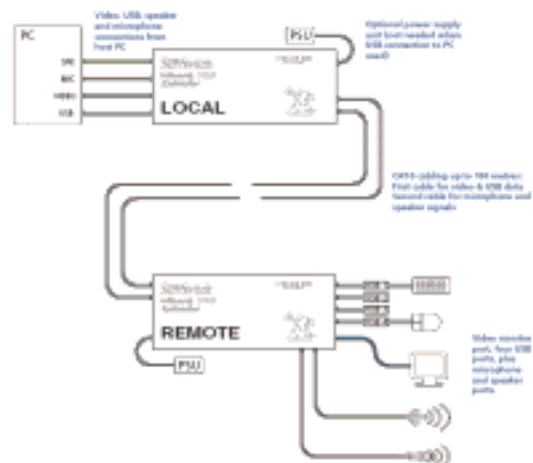
As it is transparent it does not require any driver installation on the attached PC or sever. USB compatible devices such as memory sticks, keyboards, mice will be recognized from the USB host just like being connected directly to it.

The remote unit has a built-in 4-Port USB Hub allowing to connect up to 4 USB peripherals to it.

Typical Applications
Keyboard/Mouse interfaces are migrating towards USB technology. Even knowing that USB seems to be a popular and universal interface for connecting peripherals on a standardized interface to a PC, Workstation or Server it is not the best for connecting keyboards and mice !

One major reason is its distance limitation. With a maximum of 5meters desktop environments can

be handled perfectly. But as soon as gets beyond this range active components are required to boost it. With the new ACU5050A Black Box offers the opportunity to extend the Video signals together with transparent USB 1.1 over a single Cat X cable. It's high performance video circuitry allows even users of graphical workstations operate their systems from a free of noise area.



Specifications

Local Unit:

Size - W170xH26xD75 mm

Connectors -

- (1) USB type B
- (1) D-Sub 15 HD F (VGA)
- (2) Stereo Audio jacks 3,5mm (color coded)
- (1) Power jack 2.1mm
- (2) RJ45 F

Remote Unit:

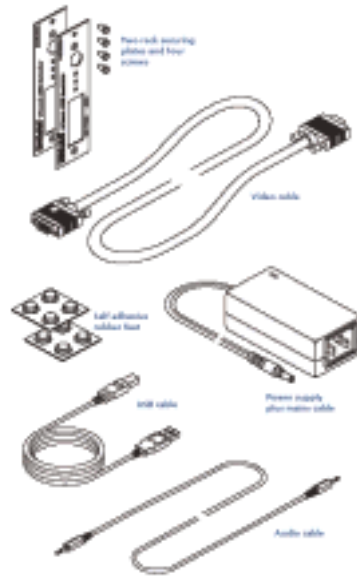
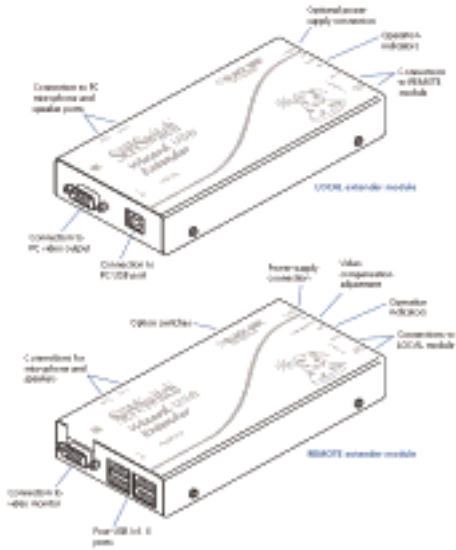
(2) RJ45 F

Connectors -

- (4) USB type A F
- (1) D-Sub 15 HD F (VGA)
- (2) Stereo Audio jacks 3,5mm (color coded)
- (1) Power jack 2.1mm

- Size** - W170xH26xD75 mm
- Power** - External 100-240VAC,50-60Hz , 0,4A / 5VDC, 2A
- Max. Resolution** - 1600x1200x75Hz @ 100m
- Max Distance** - 120m

Supplied Items



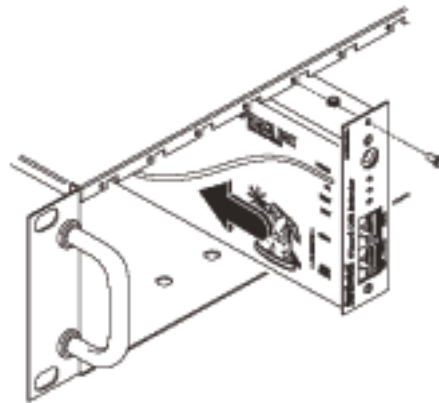
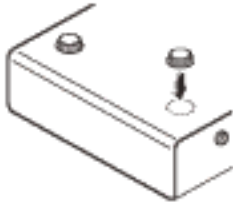
Mounting the Wizard USB Extender

Rackmounting with ACU5000A

Mounting a module – desk or rack

The Wizard USB Extender modules can be situated on a desk (or floor) or alternatively for larger installations, inserted within optional rack mount chassis units.

Desk mount
Apply the supplied self-adhesive rubber feet to the underside of the module(s).



Contact us worldwide:
www.blackbox.com

or

http://www.blackbox.com/world_offices/worldoffices_index.html

Ordering information

ITEM	CODE
Wizard USB Extender	ACU5050A
19" Rackmount Kit for up to 16 units	ACU5000A
Wizard DeSkew Module	ACU5100A