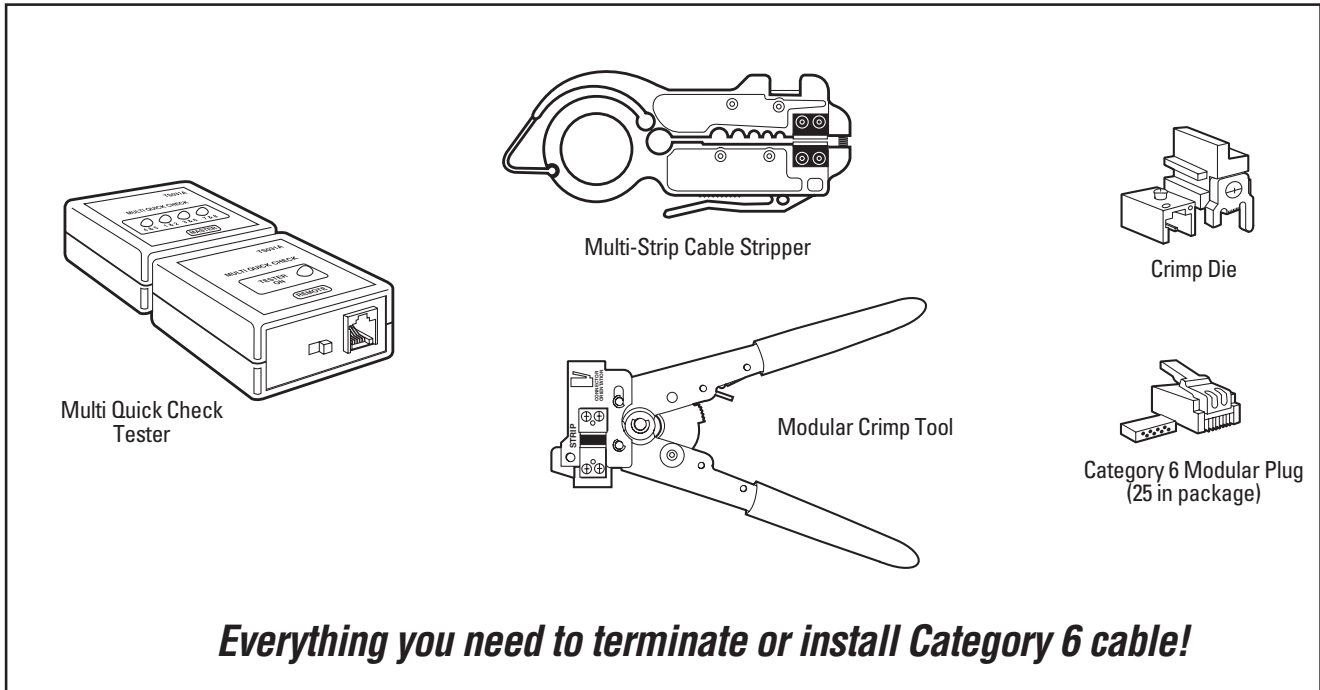




BLACK BOX[®]

NETWORK SERVICES

CAT6 TERMINATION AND INSTALLATION KITS



Key Features

- ▶ **Terminate and install Category 6 cable.**
- ▶ **Save money by ordering these kits instead of ordering each item separately.**
- ▶ **Each item complies with the Category 6 standard.**
- ▶ **Installation Kit also includes the Category 6 cable you'll need!**
- ▶ **Cables are guaranteed for life.**

These handy kits include everything you need for installing or terminating Category 6 cable—at a price you can afford! The kits also keep your tools organized and protect them from dust. Choose either the CAT6 Termination Kit or the CAT6 Installation Kit.

Both kits include (1) Multi Quick Check Tester, (1) Multi-Strip Cable Stripper, (1) Modular Crimp Tool, (25) CAT6 Modular Plugs, (1) Crimp Die for Modular Jacks, and (1) carrying case. The Installation Kit also includes a boxed spool with 1000 ft. (304.8 m) of Category 6 cable for tangle-free

installation. And the cable is guaranteed for life.

The Multi-Quick Check Tester checks Ethernet 10BASE-T, Token Ring, and T568A or T568B cabling for shorts, opens, and miswires.

The Multi-Strip Cable Stripper slits and strips cable, and also features a tension loop and an adjustable screw to control blade penetration.

The Modular Crimp Tool strips, cuts, and terminates Category 6 cable.

The Modular Crimp Die lets you crimp RJ-45 connectors onto the cable.

For more information on the Multi Quick Check Tester, see FaxBack #14481. For more information on the Multi-Strip Cable Stripper, see FaxBack #15554. For all other products in the kits, call Black Box Technical Support at 724-746-5500.

What's Included

CAT6 Termination Kit (FT490A)

- (1) Multi Quick Check Tester (TS031A)
- (1) Multi-Strip Cable Stripper (FT231A)
- (1) Modular Crimp Tool (FTM40)
- (25) Category 6 Modular Plugs, RJ-45 (FM860-25PAK)
- (1) Crimp Die for Modular Jacks (FTM50)
- (1) Carrying Case (FT390)
- (1) Users' manual

CAT6 Installation Kit (FT495A)

- The CAT6 Installation Kit (FT495A) contains everything the CAT6 Termination Kit (FT490A) includes *plus* one boxed spool of 1000 ft. (304.8 m) of Category 6 cable (EYN612A-1000).

Specifications

TS031A

Connectors: (2) RJ-45
Indicators: (5) LEDs for continuity
Power: (1) 9-volt alkaline battery (included)
Size: 2.8"W x 4.8"H x 1"D (7.1 x 12.2 x 2.5 cm)
Weight: 0.5 lb. (0.2 kg)

FT231A

Construction:
 Body: Delrin Super-Tuff;
 Blades: 1095 high-carbon steel

Associated Cable Type: Flat satin and twisted pair

Size: 2"H x 0.8"W x 4.5"D (5.1 x 2 x 11.4 cm)

Weight: 0.2 lb. (0.09 kg)

FTM40

Construction: Metal

Associated Cable Type: Flat silver satin or solid twisted-pair telephone cable

Weight: 0.9 lb. (0.4 kg)

FM860-25PAK

Weight: 0.09 lb. (0.04 kg)

FTM50

Weight: 0.06 lb. (0.03 kg)

Carrying Case (FT390)

Size: 9.5"H x 6"W x 2.6"D (24.1 x 15.2 x 6.6 cm)

Weight: Case alone: 1.2 lb. (0.5 kg);
 With all products inside:
 3 lb. (1.3 kg)

Ordering Information

ITEM	CODE
CAT6 Termination Kit.....	FT490A
CAT6 Installation Kit.....	FT495A
<i>You might also want to order additional cable...</i>	
Category 6 Cable, Custom Lengths	EYN612A



Black Box offers the best warranty program in the industry—Fido Protection®. For more information, request **FaxBack 22512**.