

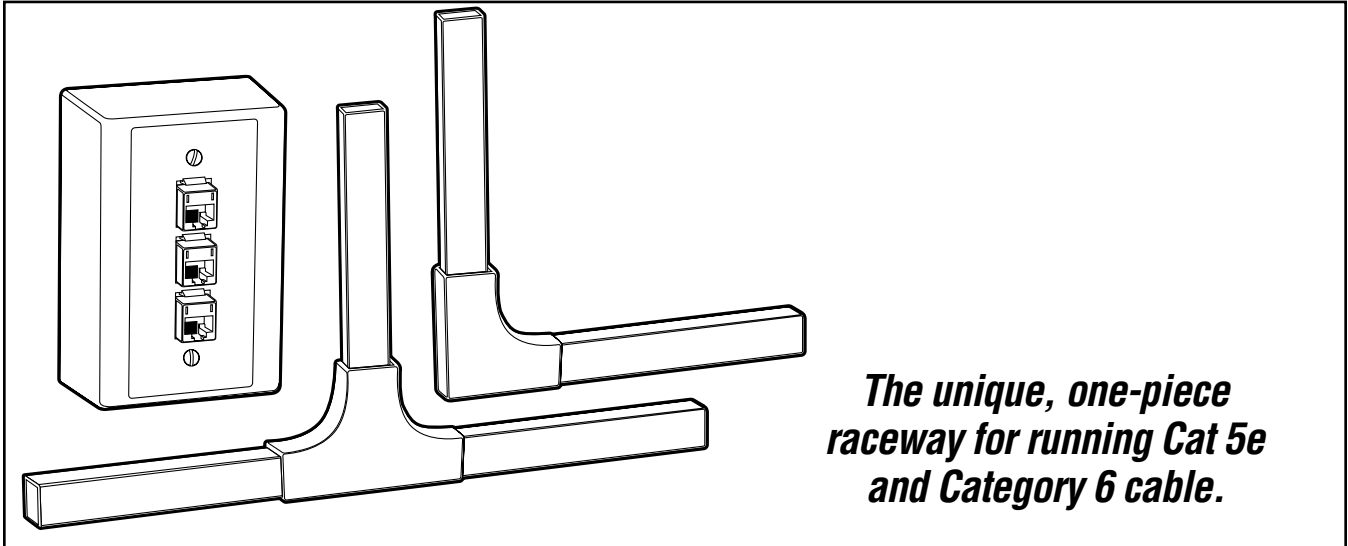


© 2000. All rights reserved.  
Black Box Corporation.

# BLACK BOX<sup>®</sup>

## NETWORK SERVICES

### MEDIA TRACK 6 SYSTEM



*The unique, one-piece  
raceway for running Cat 5e  
and Category 6 cable.*

#### Key Features

- ▶ **Single-piece, double-latching raceway.**
- ▶ **Rated for use up to 600 volts; accepts common electrical wiring.**
- ▶ **Exceeds cable bend requirements!**
- ▶ **Accommodates four data cables.**
- ▶ **One- and two-gang boxes available.**
- ▶ **UL listed, CSA certified.**
- ▶ **Office-white finish gives a crisp look that matches all environments.**

Media Track 6 is a unique raceway system that meets your present and future cabling needs, including Category 5e, 6, data, fiber, and voice, video, and electrical applications.

A one-piece design is part of what makes the Media Track 6 a one-of-a-kind system. The cover is attached to the base with a soft bending hinge. When snapped shut, the cover will double latch, providing a snug, tamper-resistant fit. This soft hinge allows easy access with drills for quick

mounting. Marked guides on the base make it easy to position.

Media Track 6 is loaded with additional features—corner fittings with 1¼" built-in minimum bend radius for both copper and fiber cables, UL listing for use up to 600 volts, and fitting covers that easily snap on over the raceway profile. Available in 2.1-m lengths with and without adhesive, this raceway is easy to install.

A full range of one-gang boxes is available. There are low,

standard, and deep depth styles, and they will accept both Media Track plates and standard flush wallplates. Two-gang boxes are offered in a communications style and a divided option for a combination of communications and power. These boxes will handle all types of communication and electrical connections. All boxes and fittings with bases are available with adhesive strips for positioning and leveling when using the adhesive-backed raceway.



11/7/2000

#25089

# About the Components . . .

This section will give you a better understanding of some of the components' features and what's included.

- **JPT606-ADH:** Base and cover with adhesive (double-sided tape on raceway), 7-foot length, one channel, 10 included.
- **JPT600:** Base and cover, no adhesive, 7-foot length, one channel, 10 included.
- **JPT606:** Conduit adapter/ceiling fitting. Knockouts on the end and base (1/2" through 1").
- **JPT610:** End cap. 0.19" mounting hole. 5 included.

- **JPT616:** External elbow, base and cover. Also includes double-sided tape.
- **JPT621:** Flat elbow, base and cover. Also includes double-sided tape.
- **JPT626:** Internal elbow, base and cover. Also includes double-sided tape.
- **JPT615:** External elbow, cover only. 5 included.
- **JPT620:** Flat elbow, cover only. 5 included.
- **JPT625:** Internal elbow, cover only. 5 included.
- **JPT645:** Splice cover. 5 included.

- **JPT637:** Security strap. Used to attach the Media Track base to the raceway. May be removed for relocation. 5 included.
- **JPT636:** Tee base and cover. Also includes double-sided tape.
- **JPT652D:** Deep profile box, 1 gang. Includes base, box, 1 set of screws, double-sided tape.
- **JPB651:** Round fitting box. Includes base, cover, 2 screws, double-sided tape. 3.3 cm and 13.5 cm in diameter.

- **JPB650L:** Low-profile box, 1 gang, suitable for switches and receptacles. Includes base, box, double-sided tape, and 1 set of screws.
- **JPB650S:** Standard profile box, 1 gang. Includes base, box, 1 set of screws, and double-sided tape.
- **JPB650D:** Two-gang divided box. Includes cover, box, and double-sided tape. Use with WP620 only.
- **JPB653:** Communications two-gang box. Includes cover, box, and double-sided tape. Uses standard flush wallplates.

## Specifications

**Material** — U.V. stabilized PVC

**Flammability** — UL 94-V-0; self-extinguishing; secondary source required for combustion

**Listings** — UL® rated for use up to 600 volts; UL listed E143298 (300-lb. crush resistance and 5 ft./lb. impact resistance); UL E143309/conforms to NEC352B; CSA certified LR87514

**Operating Temperature** — -25 to +158°F (-32 to +70°C)

**Size** —

Closed: 2 x 2.1 x 213.3 cm

JPT620, JPT621: 6.7 x 6.7 x 2.2 cm

JPT625, JPT626: 6.1 x 6.1 x 2.6 cm

JPT615, JPT616: 11.3 x 6.3 x 2.2 cm

JPT635, JPT636: 6.7 x 10.7 x 2.2 cm

JPT645: 2.6 x 2.8 x 2.6 cm

JPT610: 2 x 2.1 x 2.5 cm

JPT606: 9.9 x 5.6 x 8.4 cm

JPT637: 4.9 x 2.2 x 1.6 cm

JPB651: 3.3 x 13.5 cm

JPB650L: 12.5 x 8.3 x 3.2 cm

JPB650S: 12.5 x 8.3 x 4.5 cm

JPT652D: 12.5 x 8.3 x 6.2 cm

JPB653, JPB650D: 12.5 x 12.9 x 6.2 cm

## Ordering Information

ITEM	CODE
<b>Media Track 6 System</b>	
<b>Raceway Strips</b>	
Base & cover with adhesive.....	JPT605-ADH
Base & cover without adhesive.....	JPT600
<b>Fittings</b>	
Flat elbow, cover only .....	JPT620
Flat elbow, base and cover.....	JPT621
External elbow, cover only.....	JP615
External elbow, base and cover.....	JPT616
Internal elbow, cover only .....	JPT625
Internal elbow, base and cover.....	JPT626
Tee cover only.....	JPT635
Tee cover and base .....	JPT636
<b>Gang/Surface-Mount Boxes</b>	
1-gang box, low-profile .....	JPB650L
1-gang box, standard .....	JPB650S
1-gang box, deep.....	JPT652D
2-gang communications.....	JPB653
2-gang divided .....	JPB650D
<b>Accessories</b>	
End cap.....	JPT610
Conduit adapter/ceiling fitting.....	JPT606
Splice cover.....	JPT645
Security strap.....	JPT637
Light fixture box.....	JPB651
<b>Media Track Plates</b>	
1 gang, blank.....	WP610
1 gang, 2-port.....	WP615
1 gang, 3-port.....	WP617
2 gang, blank.....	WP620

