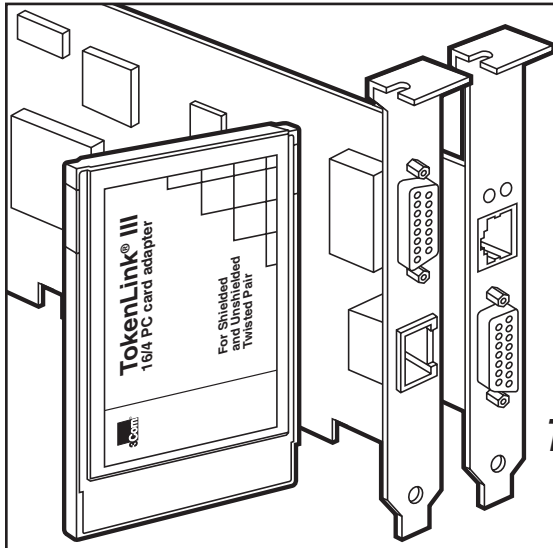


© 2000. All rights reserved.  
Black Box Corporation.

# BLACK BOX<sup>®</sup>

## NETWORK SERVICES

### 3COM TOKENLINK VELOCITY ADAPTERS



*The fastest, easiest to use Token Ring adapters you can buy—from 3Com and Black Box.*

#### Key Features

- ▶ **Cards from a manufacturer you trust with the support you need from 3Com and Black Box.**
- ▶ **Fully compliant with IBM Token Ring and IEEE 802.5 standards.**
- ▶ **Runs at 4 or 16 Mbps, over Type 1 or Type 3 cabling.**
- ▶ **Wide range of drivers included to support your network operating system.**
- ▶ **PCI and ISA cards are fast, and the PC card is up to 83% faster than previous PC cards.**

**S**uperior throughput performance. More memory. Unbeatable technical support. Get it all with the 3Com TokenVelocity Adapters from Black Box.

Choose from ISA, PC Card (formerly PCMCIA), or PCI adapters to fit your network needs.

The Token Ring ISA card is the fastest one on the market today. Since it runs at 16 Mbps in full-duplex mode, you can send and receive data simultaneously at an aggregate bandwidth of 32 Mbps! It's easy to install and operate. And dynamic software features let network administrators optimise performance of critical applications.

The PCI card's speed is unmatched by its peers. 32-bit bus-mastering provides low CPU utilization for outstanding network performance and improved application response times.

The ISA and PCI cards feature 3Com's patented Parallel Tasking and Parallel Tasking II performance, respectively. For more about these innovative technologies, see page 2.

The PC card is ideal for use in notebooks, and runs at speeds up to 83% faster than previous cards. And it's compatibility is unparalleled by other PC cards. It's 100% compatible with IBM Credit Card drivers.

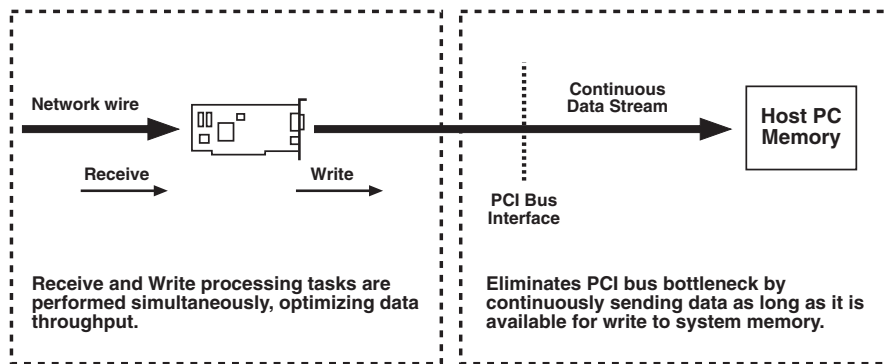
All the cards come complete with a set of drivers to support Microsoft<sup>®</sup>, Novell<sup>®</sup>, and IBM operating environments. What's more, they're priced to fit your budget.

Also included with the cards is 3Com's AutoLink<sup>®</sup> software to automatically configure and install NetWare<sup>®</sup> DOS client files.

Speed. Reliability. Performance. It's all in the cards—from 3Com and Black Box.

Call Black Box today and our expert Technical Support staff will help you choose the best card for your application.

## 3Com's patented Parallel Tasking and Parallel Tasking II speed up your network so you can work faster.



## Technically Speaking

Parallel Tasking and Parallel Tasking II, both patented by 3Com, are the keys to the PCI and ISA cards' superior response times and enhanced productivity.

Here's what Parallel Tasking can do for the ISA cards on your network:

- Reads data into the card's buffer and transmit data out of its buffer simultaneously.
- Dynamically adjusts the timing of interrupts needed for data transfers, reducing the lag time that impedes the performance of other NICs.

And here's what Parallel Tasking II can do for your PCI cards:

- Enables the PCI bus master to continue to send data as long as data is available to transmit.
- Sends larger portions of data over the bus to the NIC, by fully utilizing PCI bus bandwidth.

- Earlier PCI NICs were limited to transmitting data across the PCI bus at a maximum of 64 bytes at a time. But Parallel Tasking II breaks this data-size barrier to significantly improve network responses to bandwidth requirements of your desktop and server applications.

*Perfect for your time-sensitive applications: Traffic prioritisation enhances performance.*

In a typical Token Ring LAN, power users require more bandwidth than the rest of the users. Traffic Prioritisation on ISA and PCI cards enables network administrators to give certain applications and users higher-priority network access.

Traffic Prioritisation works via intelligent drivers that recognise application-specific traffic and adjust token and frame traffic. Use it to specify the number of high-priority tokens that pass before lower-priority frames gain access.

## Additional Equipment You May Need

- Type 1 or Type 3 cable.
- Repeater.
- MAUs.

## Specifications

### PC Interface —

3C319: Fully compliant with ISA standard, plug-and-play support, shared-memory architecture, 16-bit host data path, 20-bit host memory addressing

3C389: Fully compliant with PC Card 2.01 standard Type II or Type III slots, shared-memory architecture, 16-bit host data path, 16-bit host memory addressing

3C359: Fully compliant with PCI Local Bus specification 2.1 standard, plug-and-play support, 32-bit busmastering

**Size —** 3C319: 8.6H x 17.5W cm;  
3C389: 5.3H x 8.6W x 0.5D cm);  
3C359: 10.7H x 14.6W cm

## The Complete Package

- Token Ring Card.
- Complete set of software drivers.
- Comprehensive user's manual.

## Ordering Information

ITEM	CODE
<b>TokenLink Velocity</b>	
4/16 Mbps, 16-Bit ISA	
1-Pack.....	3C319
5-Pack.....	3C319-5PK
20-Pack.....	3C319-20PK
4/16 Mbps PC Card	
1-Pack.....	3C389
5-Pack.....	3C389-5PK
<b>TokenLink Velocity XL PCI NICs</b>	
1-Pack.....	3C359
5-Pack.....	3C359-5PK
20-Pack.....	3C359-20PK