



BLACK BOX[®]

NETWORK SERVICES

© 2003. All rights reserved.
Black Box Corporation.

Black Box Network Services • 464 Basingstoke Road • Reading, Berkshire, RG2 0BG • Tech Support: 0118 965 6000 • www.blackbox.co.uk • e-mail: techhelp@blackbox.co.uk

SERVSWITCH[™] PROFESSOR



*A ServSwitch perfect for
training, demonstration, and much more!*

Key Features

- ▶ **Establish a keyboard/video/mouse-switching bus network among an instructor's computer and up to 250 student computers.**
- ▶ **Use keyboard commands for many functions, including viewing, sharing, controlling, switching, scanning, and disabling computers.**
- ▶ **Supports resolutions up to 1280 x 1024.**
- ▶ **Drives up to 100 feet (30.5 m) to CPUs or users, up to 250 feet (76.2 m) across bus.**

How do you show your computer video to your students? With a projector and screen, or just a really big monitor? And how do you show a student how to do something with their keyboard or mouse? By pulling up a chair next to them?

We have a better way. First install a ServSwitch[™] Professor System Control Module between your computer and your monitor, keyboard, and mouse (just plug in the 3-to-1 CPU and KVM adapter cables that come with this module in the Instructor Kit). Then run bus cables to ServSwitch Professor Student Modules installed between your students' PCs and their monitors, keyboards, and mice. (In this case, use the adapter cables that come with these modules in the Student Kits.) Now you have a keyboard/video/mouse switching system powerful enough to do almost anything you might want.

You control the ServSwitch Professor with easy keyboard commands. Here are just some of the things you can do:

- View Station—See video displayed by a student's computer.
- Share Station—Share control of a student's computer, on a timeout basis, with that student.
- Control Station—Take sole control of a student's computer.
- Enable, Disable, and Freeze Station—Permit or restrict student usage of their PCs.
- Show to Station—Show your computer's video to students.
- XView and XShare Station—Allow students to see video from or share another student's computer.

And there are many others. You'll receive a keyboard template identifying the keys used for the most important ServSwitch

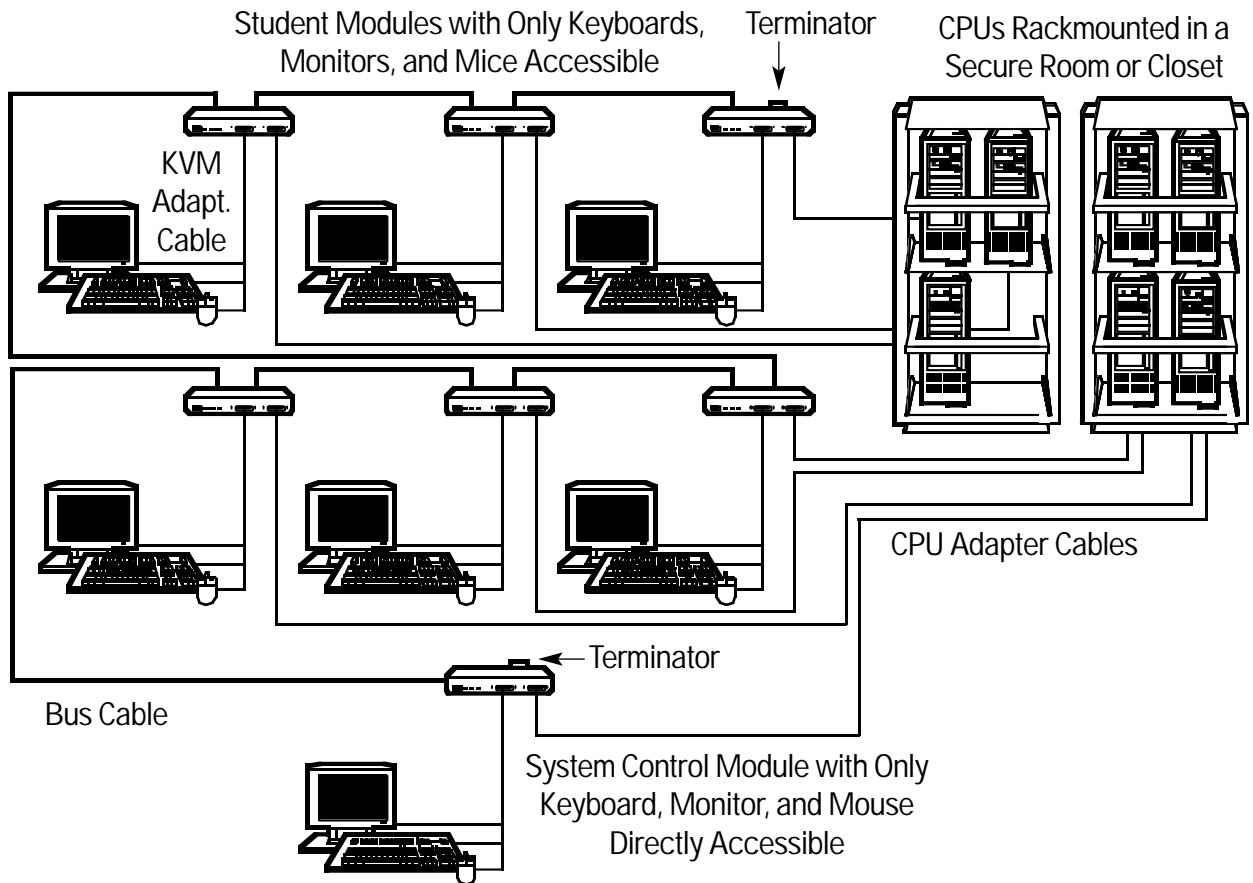
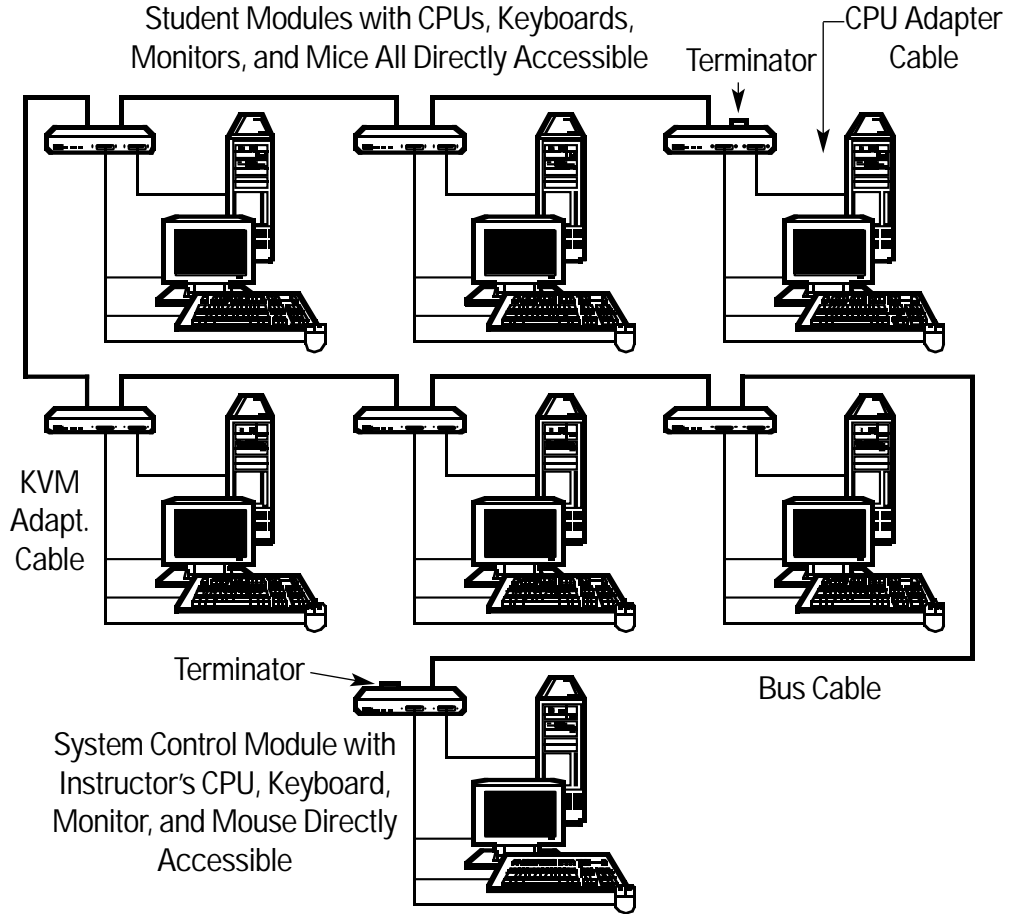
Professor commands when you order the Instructor Kit.

If you use coaxial adapter cables, the ServSwitch Professor supports VGA, SVGA, or XGA video at resolutions up to 1280 x 1024 noninterlaced. A Professor unit can receive/drive video over as much as 100 ft. (30.5 m) of this coax adapter cable from a CPU or to a monitor, keyboard, and mouse. As for bus cable, the sum total of the length of bus cable in your Professor system should not be more than 250 feet (76.2 m).

The ServSwitch Professor also supports either PS/2[®] or PC/AT[®] keyboard and mouse interfaces. The Instructor Kit comes with adapter cables for both interface types. The Student Kits come in two different models: one with only PS/2 type adapter cables and one with only PC/AT type adapter cables.

You can attach all the computer equipment in the room to Professor units connected to each other with bus cable (right).

Or you can keep your CPUs in another area for added security, as shown below; this will probably require coaxial CPU adapter cables.



Ordering Information

ITEM	CODE
ServSwitch Professor	
Instructor Kits	
115-VAC	KV780A
230-VAC	KV780AE
Student Kits	
PS/2, 115-VAC.....	KV781A
PS/2, 230-VAC	KV781AE
PC/AT, 115-VAC	KV782A
PC/AT, 230-VAC	KV782AE
 ServSwitch PROFESSOR to ServSwitch PROFESSOR Bus Interconnect Cables, Coax	
5-ft. (1.5-m)	EHN275-0005
10-ft. (3-m)	EHN275-0010
25-ft. (7.6-m).....	EHN275-0025
100-ft. (30.5-m).....	EHN275-0100
 ServSwitch to Keyboard/Monitor/Mouse Cables (User Cables) (HD15 Monitor Connector)	
Standard	
PS/2 (6-Pin Mini-DIN Keyboard and Mouse Connectors)	
1-ft. (0.3-m)	EHN154-0001
5-ft. (1.5-m)	EHN154-0005
10-ft. (3-m)	EHN154-0010
20-ft. (6.1-m)	EHN154-0020
PC/AT (5-Pin DIN Keyboard and DB9 Mouse Connectors)	
1-ft. (0.3-m)	EHN052-0001
5-ft. (1.5-m)	EHN052-0005
10-ft. (3-m)	EHN052-0010
20-ft. (6.1-m)	EHN052-0020
Coax	
PS/2 (6-Pin Mini-DIN Keyboard and Mouse Connectors)	
5-ft. (1.5-m)	EHN383-0005
10-ft. (3-m)	EHN283-0010
20-ft. (6.1-m)	EHN283-0020
35-ft. (10.7-m).....	EHN283-0035
50-ft. (15.2-m).....	EHN283-0050
100-ft. (30.5-m).....	EHN383-0100
PC/AT (5-Pin DIN Keyboard and DB9 Mouse Connectors)	
5-ft. (1.5-m)	EHN270-0005
10-ft. (3-m)	EHN270-0010
20-ft. (6.1-m)	EHN270-0020
35-ft. (10.7-m).....	EHN270-0035
50-ft. (15.2-m).....	EHN270-0050
100-ft. (30.5-m).....	EHN270-0100

Ordering Information

ITEM	CODE
CPU/Server to ServSwitch Cables (CPU Cables) (HD15 Monitor Connector)	
Standard	
PS/2 (6-Pin Mini-DIN Keyboard and Mouse Connectors)	
5-ft. (1.5-m).....	EHN151-0005
10-ft. (3-m).....	EHN151-0010
20-ft. (6.1-m).....	EHN151-0020
PC/AT (5-Pin DIN Keyboard and DB9 Mouse Connectors)	
5-ft. (1.5-m).....	EHN048-0005
10-ft. (3-m).....	EHN048-0010
20-ft. (6.1-m).....	EHN048-0020
Coax (6-Pin Mini-DIN Keyboard and Mouse Connectors)	
5-ft. (1.5-m).....	EHN382-0005
10-ft. (3-m).....	EHN382-0010
20-ft. (6.1-m).....	EHN382-0020
35-ft. (10.7-m).....	EHN382-0035
50-ft. (15.2-m).....	EHN282-0050
100-ft. (30.5-m).....	EHN282-0100
Rackmount Kit for 19" Rack	SW727
Station Extenders (up to 200-ft. [61-m])	
ServSwitch PROFESSOR to Keyboard, Monitor, and Mouse (PS/2 Mouse).....	AC259A
ServSwitch PROFESSOR to Keyboard, Monitor, and Mouse (AT Mouse)	AC255A
CPU to ServSwitch Professor (PS/2 Mouse)	AC258A
CPU to ServSwitch Professor (AT mouse).....	AC254A
Station Extender Cables, PVC	
50-ft. (15.2-m).....	EHN250-0050
100-ft. (30.5-m).....	EHN250-0100
150-ft. (45.7-m).....	EHN250-0150
200-ft. (61-m).....	EHN250-0200
ServSwitch Brand CAT5 KVM Extender Kit (Includes Local and Remote Extender Modules and	
CPU-to-Extender Module Cable)	ACU1001A
CAT5 100-MHz Patch Cable, 4-Pair, Straight-Pinned, PVC, Beige.....	EVMSL05
GigaBase® 200 CAT5e, 200-MHz Bulk Cables, 24 AWG, 4-Pair	
PVC.....	EYN737A
Plenum.....	EYN738A
High-Performance CAT5 Modular Plugs, Solid-Conductor, Unshielded, 25-Pack.....	FM732