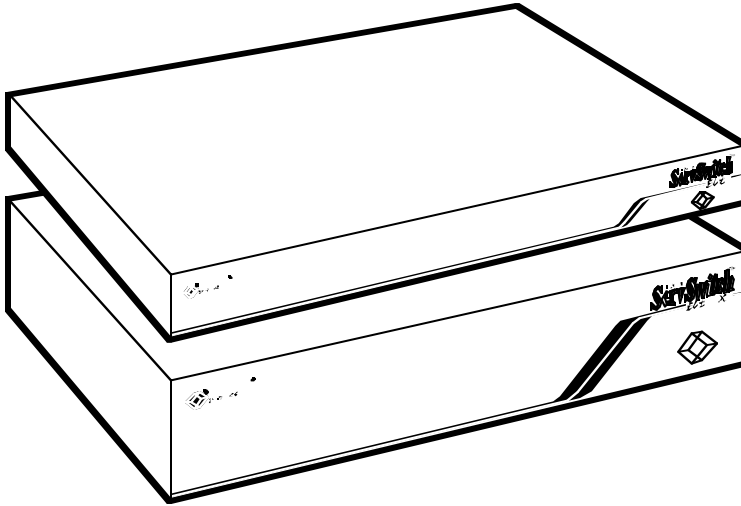


BLACK BOX[®]

NETWORK SERVICES

ServSwitch Elite[™]



Get an electronic KVM switch that's 100% compatible with Compaq[®] and HP[®] KVM switches—but comes with our unparalleled Black Box service and support!

Key Features

- ▶ 100% pin-for-pin compatible with the current generation of KVM switches from Compaq and HP.
- ▶ Manage as many as 64 PS/2 type computers from a single console, or from as many as sixteen consoles at the same time.
- ▶ With optional converter kits, can also support PC/AT type, RS/6000, and HP9000 computers—even those tough RS/6000 and HP9000 “sync on green” systems.
- ▶ Control with powerful, configurable on-screen display: You can scan the system, broadcast to multiple computers, password-lock your console, and more.

You've been good. You've bought from the “right” companies—the big, safe names in computer equipment. Even the KVM (keyboard/video/mouse) switches that you've been using to cut down on the clutter and expense of maintaining your server farm came from Compaq[®] or Hewlett-Packard[®].

But now you have to ask yourself a few questions: When you need help, or just information, how long are you waiting for it? And how much are you paying for it? And when you do get it, how good is it? Do the people you talk to seem to know much about KVM switching?

We do here at Black Box—KVM switching has been one of our specialties for a long time. And we're here for you 24 hours a day, 7 days a week. No hassles, no eternal wait—just our world-famous, free Black Box service!

So why not add our ServSwitch Elite[™] to the system you already have, instead of spending more money on business as usual?

Our Switch is absolutely compatible with theirs, so you'll still be able to do KVM switching the same way you're used to, only better!

The ServSwitch Elite comes in two flavors: a “single-user” version designed to be controlled from a single user console, and a “4x8” version with which as many as four user consoles can have simultaneous access.

Each version has eight computer ports; you can either attach up to eight computer CPUs to these, or you can cascade as many as eight “slave” switches from one “master” switch to reach as many as 64 CPUs. (In fact, in a cascade with only ServSwitch

Elite 4x8 units, you can have as many as four master switches, so sixteen consoles can access the system at the same time!)

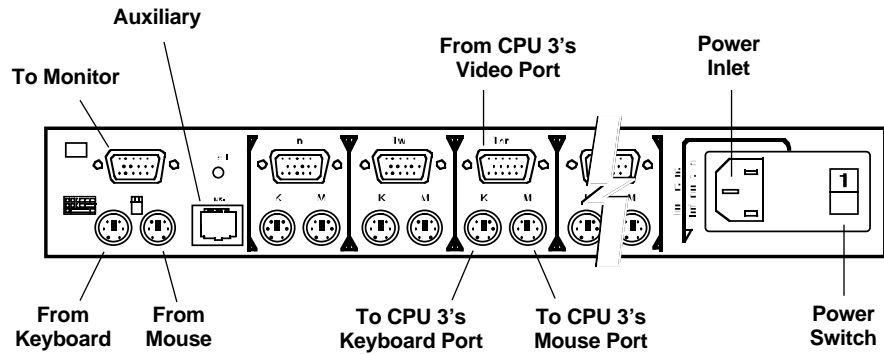
The “as is” ServSwitch Elite is compatible with IBM[®] PS/2[®] type computers running VGA, SVGA, or XGA video, and it supports many different PS/2 type mice, including the Microsoft[®] IntelliMouse[™].

If you add optional converter kits, it can also support PC/AT[®] type computers with serial mice, IBM RS/6000[®] computers, and HP9000[®] computers—including the RS/6000 and HP9000 models that use “sync on green” video that very few KVM switches can handle.

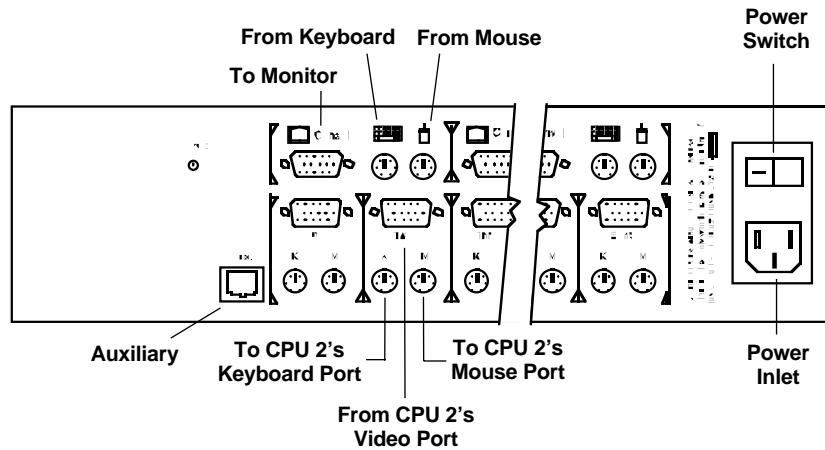
Typical Application

Breathe new life into your existing HP or Compaq based KVM-switching system by plugging a few ServSwitch Elite units into your cascade. Everything should work fine together—and now, if you have any questions or difficulties, you can be talking to a Black Box Tech Support Specialist (in 20 seconds or less! free!) instead of waiting (or paying)...and waiting (or paying)...

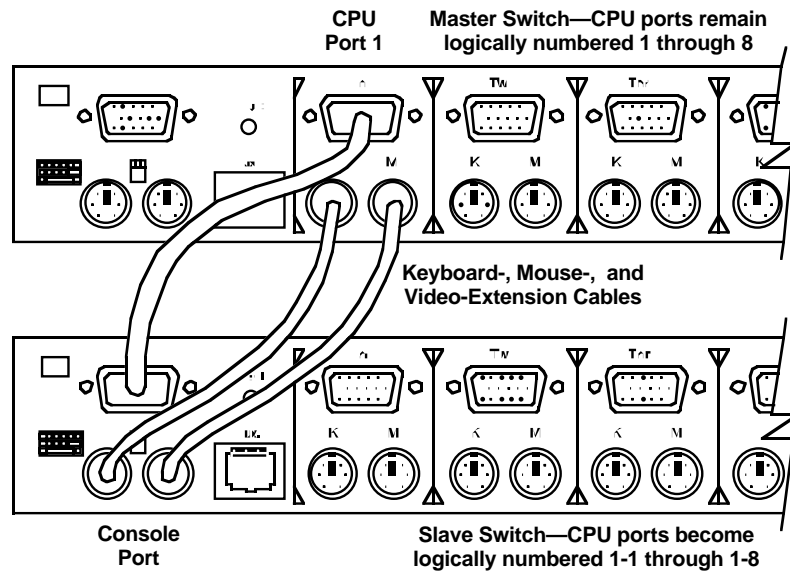
You don't have to be a rocket scientist (or even "the cable guy") to attach your equipment to the SerSwitch Elite: The Switch's well-marked, familiar connectors make it easy, both on the single-user Switch...



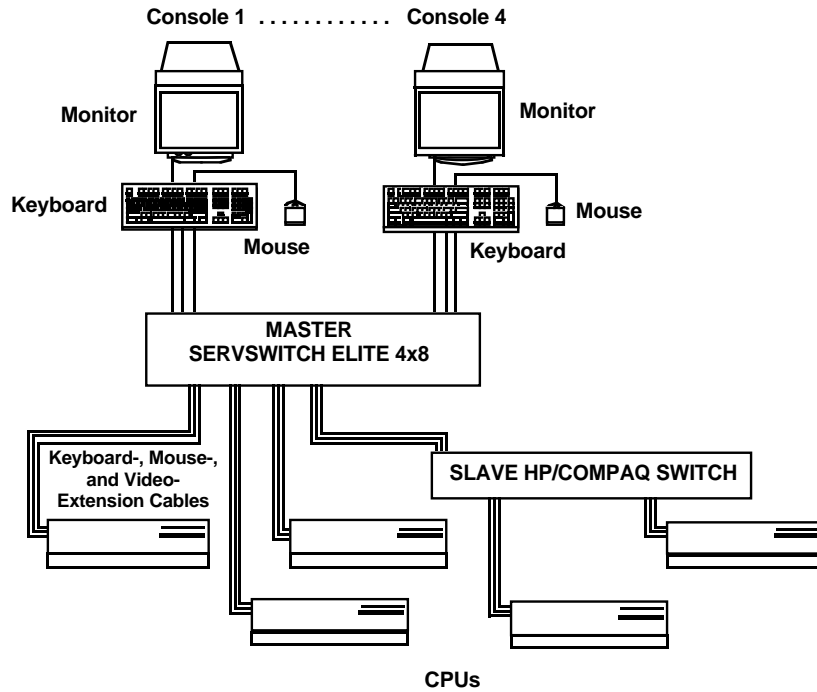
...and on the 4x8 Switch.



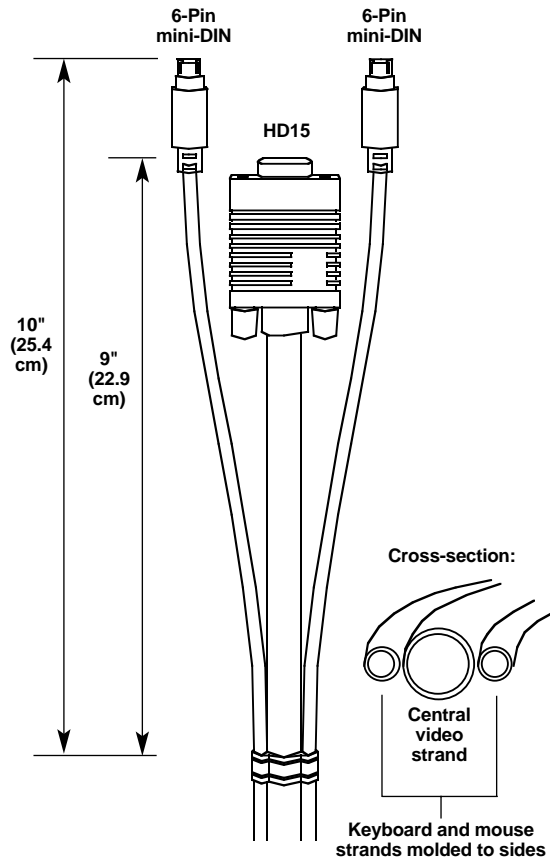
Even cascading is a virtual no-brainer with the SerSwitch Elite.



When your system is fully installed, you can use up to four monitors, keyboards, and mice to control as many as 64 computers. And you don't have to toss your existing Compaq or HP switches—just plug them right into the system, as either masters or slaves.



The three-in-one Extension Cables you can use with the ServSwitch Elite look like this. Because the video strand is shorter than the other strands, its connector screwlocks will bear the weight of the cable, preventing disconnections and strains.



Technically Speaking

- You'll control the ServSwitch Elite through a flexible on-screen display that includes menus of potent functions and configuration options. For example, not only can you scan your computer ports,

you can also set which ports are scanned, for how long, and in what order. You can broadcast keyboard or mouse data to multiple computers simultaneously. And you can set a password for your system that users will have to type in before they are granted access.

- The ServSwitch Elite 4x8 has a very unusual feature. You can set it to use either of two methods to resolve port contention (that is, to decide who gets access when a console tries to select or scan a computer port that another console is using). In the default "cooperative"

method, recommended for most systems, the console currently in control stays in control. In the "preemptive" method, the Switch honors new requests and displaces existing connections. This can be useful in systems with multiple consoles but only one actual user.

Specifications

Standards — VGA, SVGA, and XGA video

Compatibility —

Video: VGA, SVGA, XGA, GTX, or GTX1XX; also IBM RS/6000 and HP9000, although RS/6000 requires special cabling and RS/6000 and HP9000 sync-on-green applications require video adapters;

Keyboard: IBM PC/AT or PS/2 compatible (connecting a PC/AT keyboard requires an adapter such as our product code FA211);

Mouse: IBM PS/2 compatible two-button, Microsoft IntelliMouse, or Logitech PS/2 compatible 2- or 3-button

Interfaces —

Video: VGA;
Keyboard and mouse: IBM PS/2 compatible

Resolution — Up to 1024 x 768 noninterlaced

Maximum Distance —

3.6 m of extension cabling to any attached keyboard, mouse, and monitor;

15.2 m of extension cabling to any attached CPU or cascaded ServSwitch Elite unit

User Controls —

Keyboard/on-screen-menu commands;
(1) Rear-mounted rocker switch for power;
(1) Rear-mounted reset pushbutton;
KV7148FA only:
(1) Internal DIP switch for port-contention handling

Indicators — On-screen windows and on-screen status-flag box

Connectors —

All rear-mounted:
(1) RJ-45 female AUX connector;
(1) IEC 320 male power inlet;

(8) Sets of:

- HD15 female to CPU's video port;
- 6-pin mini-DIN female:
 - to CPU's keyboard port,
 - to CPU's mouse port;

For each user port:

- HD15 female to monitor;
 - 6-pin mini-DIN female:
 - to keyboard,
 - to mouse;
- KV7118SA: (1) set;
KV7148FA: (4) sets

Power —

Input: 100 to 120 VAC or 200 to 240 VAC at 50 to 60 Hz from utility-power outlet; through detachable power cord and IEC 320 male inlet, to internal transformer;
Consumption: 30 watts maximum

MTBF — 100,000 hours (calculated)

Temperature Tolerance — 10 to 40° C

Humidity Tolerance — 5 to 90% noncondensing

Enclosure — Cold-rolled steel

Size —

KV7118SA: 4.4 x 43.2 x 27.4 cm;
KV7148FA: 8.9 x 43.2 x 27.4 cm

Weight —

KV7118SA: 4.1 kg;
KV7148FA: 4.6 kg

The complete package:

- The ServSwitch Elite itself.
- A users' manual.
- Its power cord.

Additional equipment you might need:

- A PC/AT Serial Mouse Converter Kit in order to attach PC/AT compatible CPUs with 5-pin DIN keyboard ports and serial mouse ports to the Switch.
- An adapter to attach PC/AT type keyboards with 5-pin DIN connectors.
- An RS/6000 Converter Kit to connect IBM RS/6000 computers to the Switch.
- An HP9000 Converter Kit to attach Hewlett-Packard HP9000 computers to the Switch.
- CPU-Extension Cables or User-Extension Cables to connect equipment to the Switch at longer distances.
- Rackmount kits.
- Surge protectors.

Ordering Information

PRODUCT NAME	ORDER CODE
ServSwitch Elite™:	
Single-User.....	KV7118SA
4x8.....	KV7148FA
OPTIONAL ACCESSORY	ORDER CODE
PC/AT Serial Mouse Converter Kit.....	KV7150A
Keyboard Adapter, 5-Pin DIN Female to 6-Pin Mini-DIN Male.....	FA211
RS/6000 Converter Kit.....	KV7160A
HP9000 Converter Kit.....	KV7170A
CPU-Extension Cables:	
5-ft. (1.5-m).....	EHN408-0005
50-ft. (15.2-m).....	EHN408-0050
100-ft. (30.5-m).....	EHN408-0100
User-Extension Cables:	
10-ft. (3-m).....	EHN409-0010
30-ft. (9.1-m).....	EHN409-0030
Rackmount Kit for Single-User ServSwitch Elite.....	RMK19E
Rackmount Kit for ServSwitch Elite 4x8.....	RMK19E4