

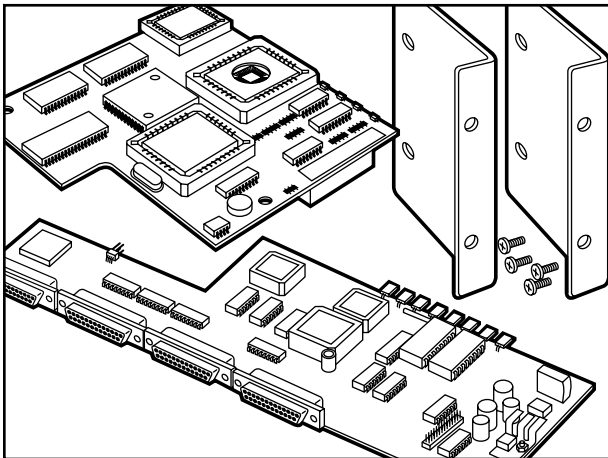


© 2000. All rights reserved.
Black Box Corporation.

BLACK BOX[®]

NETWORK SERVICES

ACCESSORIES FOR SERVSWITCH[™] BRAND KVM SWITCHES AND EXTENDERS



Give your ServSwitch[™] brand KVM switch or extender more features, more ports, Macintosh[®] video modes, or a space in your equipment rack!

Key Features

- ▶ ***Plug-in boards and modules:*** Add on-screen menus to your ServSwitch family KVM switch or get extra ports for it.
- ▶ ***Adapters and converters:*** Attach computers and monitors whose video, keyboard, or mouse I/O isn't normally compatible with the switch.
- ▶ ***Rackmount kits:*** Put almost any ServSwitch brand KVM switch or extender in a sturdy equipment rack.

ServSwitch Overlay Option Board

Do you have a regular ServSwitch[™] with an SW72xA-R3 or non-R4 KV3000 type product code, or a ServManager[™] with an SW99xA-R2 type product code? If you do, do you sometimes think it would be nice to manage your KVM-switching system with an on-screen display?

If you want it, get it! Installing the ServSwitch Overlay Option Board (our product code SW720C-R4) in a regular -R3 or KV3000 type ServSwitch gives that Switch the same on-screen display as our current (-R4) ServSwitch (although you'll need to make sure your Switch's firmware is upgraded to the latest revision to take full advantage of it).

This display includes not only on-screen versions of familiar functions such as selecting ports, but also new functions such as

assigning names to your computers, enabling/disabling automatic port scanning at power-up, and viewing configurable pop-up computer labels. A sample menu is shown on page 3.

If you install an Overlay Option Board in an -R2 ServManager, it will have the ServSwitch Ultra's capabilities plus the ServManager's front-panel display and keypad, giving you truly awesome power and flexibility in a single switch!

One more thing: This -R4 version of the Board supports "sync on green" video, which the earlier -R3 version (preinstalled in first-generation ServSwitch Ultras) didn't. So if you want to use this kind of video with your legacy (non-R2) ServSwitch Ultra, you might want to replace the Ultra's native -R3 Board with the -R4 Board. (Please call Black Box Tech Support before doing this.)

4-Port Expansion Boards

If you've maxed out your 4-, 8-, or 12-port full-size ServSwitch, ServSwitch Ultra, or ServManager, will you have to buy a whole new switch to add a few more CPUs?

No! We can expand the capacity of your switch, four CPU ports at a time, by installing as many 4-Port Expansion Boards in it as you need—enough for up to 16 CPU ports. Simply call Black Box Technical Support to buy the Boards and arrange to ship the switch back to our factory, and we'll put in the Boards for you. We might be able to send you a replacement switch that you can temporarily swap in for the one being upgraded, so you won't have any system downtime!

Please note: For ServSwitch Ultra and "new chassis" regular ServSwitch models, we can send you the Boards to install yourself,

(continued on next page)



(continued from page 1)

but installing the Boards is extremely complex and you can easily damage the switch while doing it. We strongly recommend that you let us install the Boards for you.

Mac® Video Adapter for ServSwitch

Without this Adapter, any Apple® Macintosh® computer that you attach to certain ServSwitch family KVM switches must be able to output VGA compatible video. This is because most Mac® video cards have to see "ID bits" from a monitor in order to output in Mac specific video modes.

Once you attach an Adapter in-line between your Mac CPU and your Switch, however, this

problem is solved. The Adapter can be set to emulate many types of Apple monitors (see the chart at the bottom of the next page).

(You'll also need to set the Adapter to match the sync type your CPU uses: sync on green, H/V, composite 1, or composite 2.)

Use an Adapter by itself to attach a Mac CPU to an "Apple only" ServSwitch, to the Mac CPU ports on a ServSwitch™ Jr. MP, or to a multiplatform switch such as a ServManager or ServSwitch Ultra. Use an Adapter with a Micro Mac® Converter to attach a Macintosh computer to a "PC only" regular ServSwitch, a ServSwitch™ Affinity, a Matrix ServSwitch™, a ServSwitch Professor™, or a ServShare™.

Micro Mac® and Sun® Converters for ServSwitch

You can attach one of these Converters to the CPU port of a "PC only" regular ServSwitch, a Matrix ServSwitch, a ServSwitch Professor, a ServShare, or (necessary for Mac only) a ServSwitch Affinity. It will convert IBM® PS/2® type keyboard and mouse data coming from the switch into Apple Desktop Bus™ (ADB™) or Sun Microsystems® type keyboard and mouse data that a Mac or Sun® computer can accept.

For more information about these Converters, see FaxBack #23812.

Video Adapter Cables for ServSwitch Multi

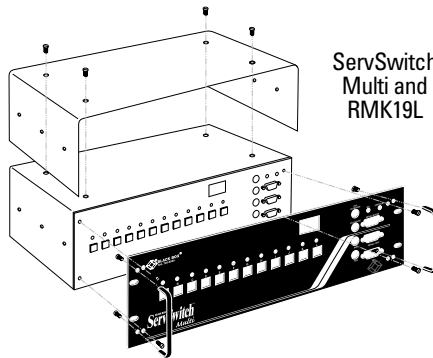
We recommend that you use multisync monitors with the ServSwitch Multi, but we offer adapter cables if you really need to attach a legacy Mac, Sun, SGI, RS/6000, or RGB monitor. We also offer adapters for the video ports of older SGI and RS/6000 CPUs.

Rackmount Kits

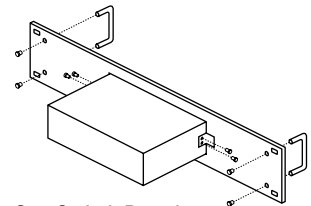
Want to put your ServSwitch brand KVM switch or extender in a 19" equipment rack? Chances are we have a simple Rackmount Kit you can install in no time—see pages 5 and 6 for a fairly complete list of the models we carry Kits for.

Also note that, for some switch models, we also offer Rackmount Kits for the less common 23" and 24" racks.

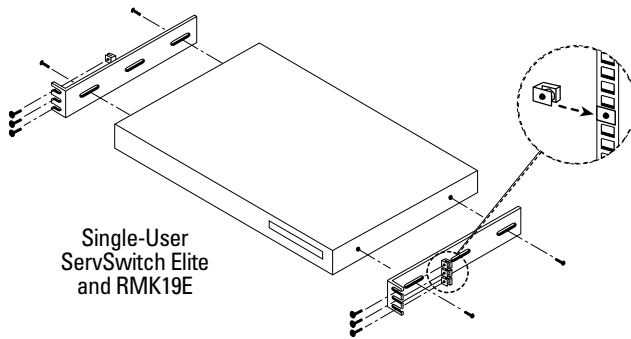
If you can use a screwdriver, you can install the Rackmount Kits.



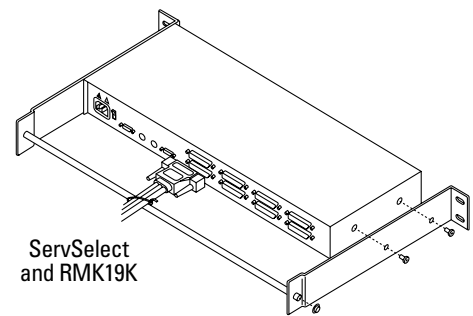
ServSwitch Multi and RMK19L



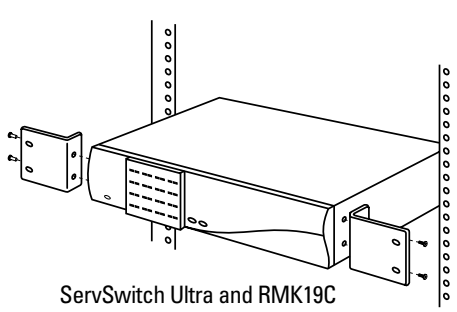
ServSwitch Brand Fiber KVM Extender and RMK235



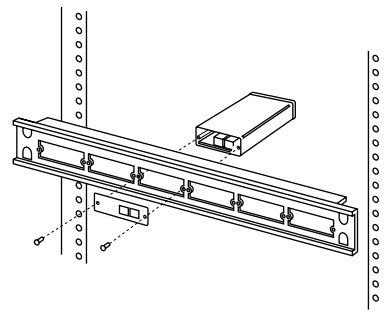
Single-User ServSwitch Elite and RMK19E



ServSelect and RMK19K



ServSwitch Ultra and RMK19C



Remote Module for ServSwitch Brand CAT5 Broadcast Video System and RMK8501



The Overlay Option Board opens up a new world of powerful menus for you.

```

Configure system

Keyboard and mouse type
Keyboard      PC
Mouse

Expansion
Maximum computers      8
Expansion units       0
Expansion width       16

Scan settings
Scan time (seconds)   5
Scan mode             Off
Power on scan         Off

Keyboard typematic
Rate (keys/sec)      20
Delay                Fast

Type of mouse used, can only be changed if keyboard is PC type
  
```

The Mac[®] Video Adapter for ServSwitch adds a whole "Apple orchard" of video modes to your ServSwitch system.

DIP-switch settings are available for:	
Resolution	Monitor Type
512 x 384	12" RGB
640 x 480, 60 Hz	13" RGB
640 x 870	Portrait
640 x 480 or 800 x 600, 60 Hz	VGA/SVGA
[Any available]	15" Tilt
832 x 624	16" Color
1024 x 768	19" Color
1152 x 870	21" Color
1152 x 870	2-Page Mono
[On-the-fly resolution switching]	13"
[On-the-fly resolution switching]	14"
[On-the-fly resolution switching]	17"
[On-the-fly resolution switching]	21"



Ordering Information

ITEM	CODE
ServSwitch Overlay Option Board	SW720C-R4
4-Port ServSwitch Expansion Boards (compatible with full-size chassis only):	
For current ServSwitch (SW72xA-R4, KV3108SA-R4) models.....	KV5100C-R4
For current ServSwitch Ultra (KV50xxM/S/FA-R2) models.....	KV5000C-R2
For earlier multiplatform ServSwitch (KV3000 series), Multiplatform ServSwitch Ultra (KV5000 series), and -R2 ServManager (SW995A-R2 etc.) models.....	KV5000C
For earlier "PC only" ServSwitch (SW72xA-R3 and KV3100 series) and ServSwitch Ultra (KV5100 series) models.....	KV5100C
For earlier "Sun only" ServSwitch (KV3200 series) and ServSwitch Ultra (KV5200 series) models	KV5200C
For earlier "Mac only" ServSwitch (KV3300 series) and ServSwitch Ultra (KV5300 series) models.....	KV5300C
For " classic chassis " ServSwitch (SW72xA-R2 series) models.....	SW726C
For original ServManager (SW995A etc.) models.....	SW729C
Mac® Video Adapter for ServSwitch (enables Mac video resolutions other than 640 x 480 VGA)	KV99MA
Micro Mac® Converter for ServSwitch (attach Mac CPUs' ADB ports to PC type switch ports).....	KV99MCON
Micro Sun® Converter for ServSwitch (attach Sun CPUs' keyboard/mouse ports to PC type switch ports; specify keyboard language required unless it's U.S. English).....	KV99SCON
Video Adapter Cables for ServSwitch Multi (KV150A-R2 series):	
For legacy Mac® monitors (HD15 male to DB15 female, 1 ft. [0.3 m])	KV16MAC
For legacy Sun® monitors (HD15 male to 13W3 female, 1 ft. [0.3 m])	KV16SUN
For legacy SGI™ monitors (HD15 male to 13W3 male, 5 ft. [1.5 m])	KV16SGI-1
For legacy SGI™ CPUs (HD15 female to 13W3 male, 5 ft. [1.5 m]).....	KV16SGI-2
For legacy RS/6000® monitors (HD15 male to 13W3 female, 1 ft. [0.3 m])	KV16RS6-1
For legacy RS/6000® CPUs (HD15 female to 13W3 male, 1 ft. [0.3 m])	KV16RS6-2
For legacy RGB monitors (HD15 male to [3] BNC male, 8.2 ft. [2.5 m] including the three broken-out 6.5-inch [16.5-cm] coax strands).....	KV16BNC
Loopback Mouse Adapter for ServSwitch Multi.....	KV16LOOP
Video Adapters for ServSwitch Brand CAT5 Broadcast Video System (ACL8500A):	
Mac adapter (HD15 female to DB15 male).....	EVMA22
Sun adapter (HD15 female to 13W3 male)	FA8500SUN
SGI adapter (HD15 female to 13W3 male).....	FA8500SGI
Universal generic adapter (HD15 female to [5] BNC female).....	FA8500BNC



Ordering Information (continued)

ITEM

CODE

Rackmount Kits for **current** ServSwitch (SW72xA-R4, KV3108SA-R4) and ServSwitch Ultra (KV50xxM/S/FA-R2):

For mini-size 2-port models:

For 19" racks	RMK19M
For 23" racks	RMK23M
For 24" racks	RMK24M

For slimline 4- and 8-port models:

For 19" racks.....	RMK19B
For 23" racks.....	RMK23B
For 24" racks.....	RMK24B

For full-size 8-, 12-, and 16-port models:

For 19" racks.....	RMK19C
For 23" racks.....	RMK23C
For 24" racks.....	RMK24C

Rackmount Kits for **earlier** ServSwitch (SW72xA-R3, KV3xxxM/S/FA) and ServSwitch Ultra (KV5xxxM/S/FA):

For mini-size 2- and 4-port models.....*same as for current mini-size models (see above)*

For slimline 8-port models:

For 19" racks.....	RMK19S
For 23" racks.....	RMK23S
For 24" racks.....	RMK24S

For full-size 4-, 8-, 12-, and 16-port models:

For 19" racks	RMK19F
For 23" racks	RMK23F
For 24" racks	RMK24F

Rackmount Kits for 4- or 8-User ServSwitch Affinity (KV130A, KV132A, KV134A, KV138A):

For 19" racks.....	RMK19A
For 23" racks.....	RMK23A
For 24" racks.....	RMK24A

Rackmount Kits for 16-User ServSwitch Affinity (KV139A):

For 19" racks	RMK19A139
For 23" racks	RMK23A139
For 24" racks	RMK24A139

Rackmount Kits for **current** 2 x 4 and

2 x 8 Matrix ServSwitch™ (SW741A-R3 and SW742A-R3).....*same as for slimline -R4 ServSwitches (see above)*

Rackmount Kits for

current 2 x 16 Matrix ServSwitch™ (SW743A-R3).....*same as for full-size -R4 ServSwitches (see above)*

Rackmount Kits for mini-size models of ServSwitch™ Jr. (SW621A, SW622A, SW621A-R2, SW622A-R2) and

ServSwitch Jr. MP (SW627A, SW628A, SW627A-R2, SW628A-R2).....*same as for mini-size ServSwitches (see above)*

Rackmount Kits for slimline 8-port ServSwitch Jr. (SW629A-R2)*same as for slimline -R3 ServSwitches (see above)*



Ordering Information (continued)

ITEM

CODE

Other 19" Rackmount Kits:

For ServMaster™ (SW990A[E]), ServSwitch Professor (SW78xA[E]),
earlier 2 x 2 Matrix ServSwitch (SW740A-R2), and
 mini-size 2- and 4-port "classic chassis" ServSwitch (SW72xA-R2) models.....SW727

For ServManager (SW995A-R2 etc.),
earlier 2 x 4 and 2 x 8 Matrix ServSwitch (SW741A-R2 and SW742A-R2), and
 full-size 4-, 8-, 12-, and 16-port "classic chassis" ServSwitch (SW72xA-R2) models.....SW728

For **current** ServSwitch™ Multi Base Units (KV150A-R2).....RMK19L

For **current** ServSwitch Multi Expansion Chassis (KV160A-R2)RMK19LE

For **earlier** ServSwitch Multi (both Base Unit [KV150A] and Expansion Chassis [KV160A])RMK19J

For ServSwitch™ Multi Z8 (KV158A) and **current** ServSelect™ (KV104A-R3 and KV108A-R3).....RMK19K

For **earlier** ServSelect (KV104A, KV108A, KV104A-R2, and KV108A-R2).....RMK19H

For Single-User ServSwitch™ Elite (KV7118SA).....RMK19E

For ServSwitch™ Elite 4 x 8 (KV7148FA)RMK19E4

For ServSwitch™ Wizard Pro (SW644A, SW648A)RMK19WP

For most regular-size standalone ServSwitch Brand CAT5 KVM Extenders (ACU1000 series).....RMK19U

For Local Unit of Dual-Access ServSwitch Brand CAT5 KVM Serial Extender (ACU1008A)RMK19X

For ServSwitch Brand Fiber KVM Extenders (ACS235A):

To rackmount one Extender ModuleRMK235

To rackmount two Extender Modules side by sideRMK235-2

For ServSwitch Wizard Multimedia KVM Extender (ACU1600A).....RMK19WX

For ServSwitch Brand CAT5 Broadcast Video System (ACL8500A):

To rackmount a HubRMK8500

To rackmount as many as six Local or Remote ModulesRMK8501

NOTE: We don't rest on our laurels! Any given ServSwitch product code might have reached a higher revision level (-R2, -R3, -R4, and so on) since the most recent update of this FaxBack document. You can be sure you'll get the latest technology when you order.

