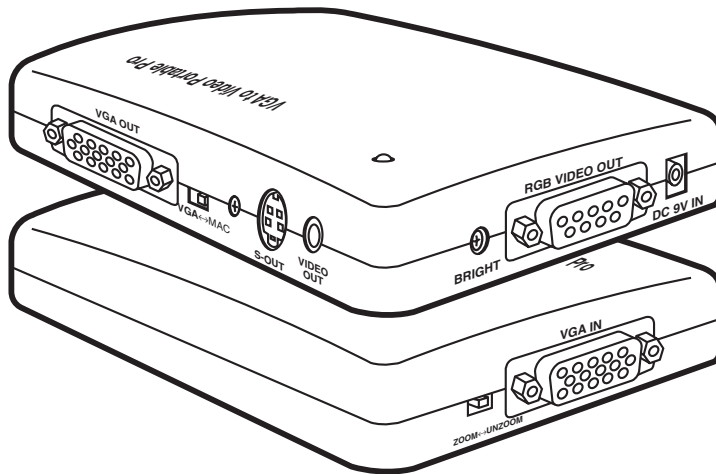


BLACK BOX®

NETWORK SERVICES

© Copyright 1997. All rights reserved.
Black Box Corporation.

VGA to Video Portable Pro



Have VGA to Video Portable Pro, will travel.

Our most popular portable converter delivers sharp, steady images for both PC and Mac platforms.

The VGA to Video Portable Pro is a rugged little unit that helps you make a BIG impression upon others. Deliver stunning and memorable presentations with a PC or a Macintosh.

Key Features

- ▶ Converts computer video for use on NTSC or PAL devices.
- ▶ Provides 100% flicker-free video, with resolution up to 16 million colours.
- ▶ Supports refresh rates from 56–72 Hz for all colours.
- ▶ Supports PC and Mac resolutions of 800 x 600 and 640 x 480.
- ▶ Zoom feature.
- ▶ Adjust brightness and horizontal settings.
- ▶ No software required.

Overview

Your presentation skills are about to make a major improvement. And it all involves your image and how you project yourself.

The BLACK BOX® VGA to Video Portable Pro is a compact computer-to-TV video scan converter that delivers sharp, steady images. And it doesn't matter if your computer is PC or Mac®. The Portable Pro makes your graphics—and you—look better than ever!

Transfer graphic images from your computer for display on any size TV or video projector. Even record your graphics on a VCR.

The Portable Pro is completely hardware-based. It's perfect for business presentations, training, advertising, conventions, and many other applications.

Our most popular portable video scan converter is loaded

with features. It's easy to see why it's a customer favorite.

What strikes you first about the Portable Pro is that it provides 100% flicker-free video—and you get vivid resolution with up to 16 million colours.

With automatic mode detection, the Portable Pro supports horizontal sync rates from 24–38 KHz. Plus it supports refresh rates from 56–72 Hz for all colours. This means that it's compatible with PCs outputting VGA video at 800 x 600 or 640 x 480 resolutions. The Portable Pro also supports Mac video at the same resolutions.

The Portable Pro also can make adjustments that other, lesser video scan converters just can't do.

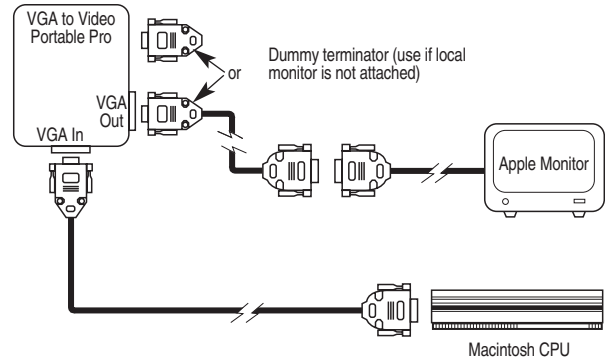
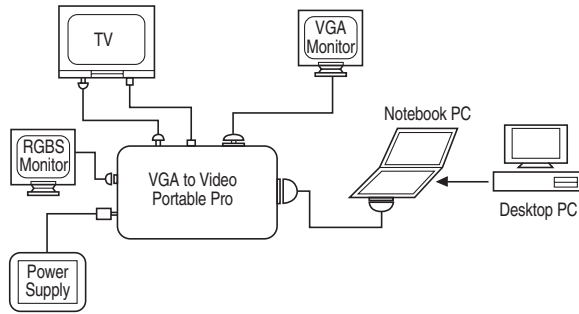
First, you can Zoom in on text and graphics so people don't have to strain their eyes. And there's no flickering,

either.

Second, you can adjust the brightness and horizontal position of your images. Quite simply, the Portable Pro adapts to the environment you work in.

Since the Portable Pro has a computer-video output port, images can be viewed on your computer monitor and TV simultaneously. It has a variety of TV-video output ports—connect it to any kind of TV, even those with special high-quality video interfaces. And it requires no special hardware. You might say it's "plug and display!"

The Portable Pro comes in two versions, one for North America and one for Europe. The North American version supports NTSC video; the European version supports PAL video.



Specifications

Color — Full-color support, including 24-bit (true colour) input

Hardware Requirements — IBM® AT®, PS/2®, or compatible with VGA output;
Apple Macintosh® or compatible supporting standard Macintosh display mode (640 x 480, 31.5 or 35 MHz) or SVGA-compatible 800 x 600 video;
TV with any of these outputs: Composite video, S-Video, analogue RGBS video, or (with modulator) RF

Horizontal Sync Supported — 24–38 KHz (autosensing)

Maximum Distance — 15.2 m (50 ft.) to any input or output device

Resolution — VGA: 800 x 600 (at 35.2 KHz hsync/56 Hz vsync only) or 640 x 480 (at up to 37.9 KHz hsync/72 Hz vsync);
Mac®: 800 x 600 (at 35.2 KHz hsync/56 Hz vsync only) or 640 x 480 (at 35 KHz hsync/66 Hz vsync or 31.5KHz/60 Hz)

Software Requirements — None

Standards —
Computer-video I/O: VGA or Macintosh (user-selectable);
TV-video output: AC331A: NTSC (60 Hz); AC331AE: PAL (56 Hz)

User Controls —
(2) Side-mounted slide switches: (1) for VGA or Mac input/output, (1) for Zoom/Unzoom (underscan);
(2) Side-mounted screwdials: (1) for brightness, (1) for horizontal positioning

Vertical Sync (Refresh Rates) Supported — 56–72 Hz (autosensing)

Interface — Input: VGA or Macintosh video;
Output: Composite video, S-Video, RGBS video, and VGA or Macintosh video

Connectors — (6) Side-mounted:
(2) DB15HD female for computer video: (1) input, (1) output; (1) RCA® jack for composite video output; (1) 4-pin mini-DIN for S-Video output; (1) DB9 female for RGBS video output; (1) barrel jack for power output;
(2) Macintosh adapter cables included: (1) DB15HD male to DB15 male; (1) DB15HD male to DB15 female

Power — AC331A: From wallmount power supply: Input: 120 VAC, 60 Hz; Output: 9 VDC at 650 mA;
AC331AE: From desktop power supply: Input: 100–240 VAC, 50–60 Hz

Size — 10.3 x 12.9 x 2.6 cm (4"H x 5.5"W x 1"D)

The complete package:

- (1) VGA to Video Portable Pro
- (1) Power supply
- (1) Carry case
- (1) Composite-video cable (has RCA connectors)
- (1) S-Video cable (has 4-pin mini-DIN connectors)
- (1) VGA passthrough cable (has DB15HD connectors)
- (1) Macintosh DB15 male to DB15 male computer-adapter cable
- (1) Macintosh DB15 male to DB15 female monitor-adapter cable
- (1) Dummy terminator (with DB15HD male connector to emulate an Apple® 14-inch monitor)
- (1) Small screwdriver
- (1) User's manual
- (1) SCART (RGBS) cable, DB9 male to SCART male (AC331AE unit only)

Additional equipment you might need:

- Special-order RGB Output Cables are available. For more information, please contact Tech Support.

Ordering Information

PRODUCT NAME

ORDER CODE

VGA to Video Portable Pro.....AC331AE