

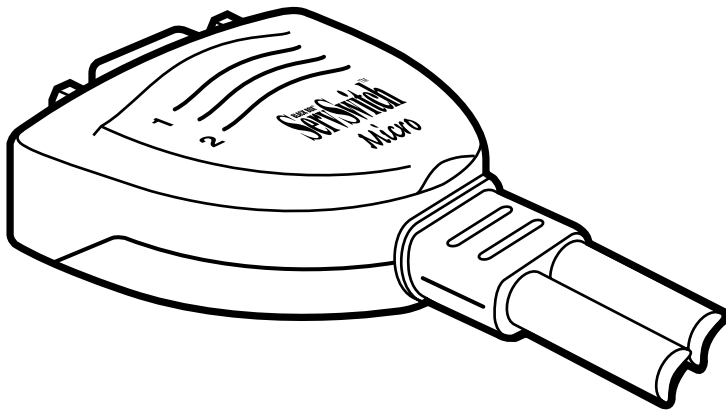


© 2004. All rights reserved.
Black Box Corporation.

BLACK BOX[®]

NETWORK SERVICES

SERVSWITCH MICRO



Access two PS/2 or USB computers from one shared monitor, keyboard, and mouse.

Key Features

- ▶ ***Includes all the connectors and integral cables you need in one unit!***
- ▶ ***Plug-and-play for easy installation.***
- ▶ ***Two status LEDs monitor the ServSwitch.***
- ▶ ***High-resolution VGA video quality up to 1920 x 1440.***
- ▶ ***Model available with left/right stereo audio.***

Need to share one monitor, keyboard, and mouse between two PS/2 or USB computers? For crisp, clear VGA quality up to 1920 x 1440, choose the ServSwitch™ Micro.

It's inexpensive, flexible, easy to install, and includes two 6-ft. (1.8-m) integral coaxial cables that connect to the two computers' keyboard/video/mouse (KVM) ports. To select the computer you want to switch to, simply use the hotkey commands.

Choose from six plug-and-play models. Each has two PS/2 connectors, two USB connectors, or one PS/2 and one USB connector. The three ServSwitch Micro with Audio models also have an audio connector.

Why Buy From Black Box? Exceptional Value. Exceptional Tech Support. Period.

Recognize any of these situations?

- You wait more than 30 minutes to get through to a vendor's tech support.
- The so-called "tech" can't help you or gives you the wrong answer.
- You don't have a purchase order number and the tech refuses to help you.
- It's 9 p. m. and you need help, but your vendor's tech support line is closed.

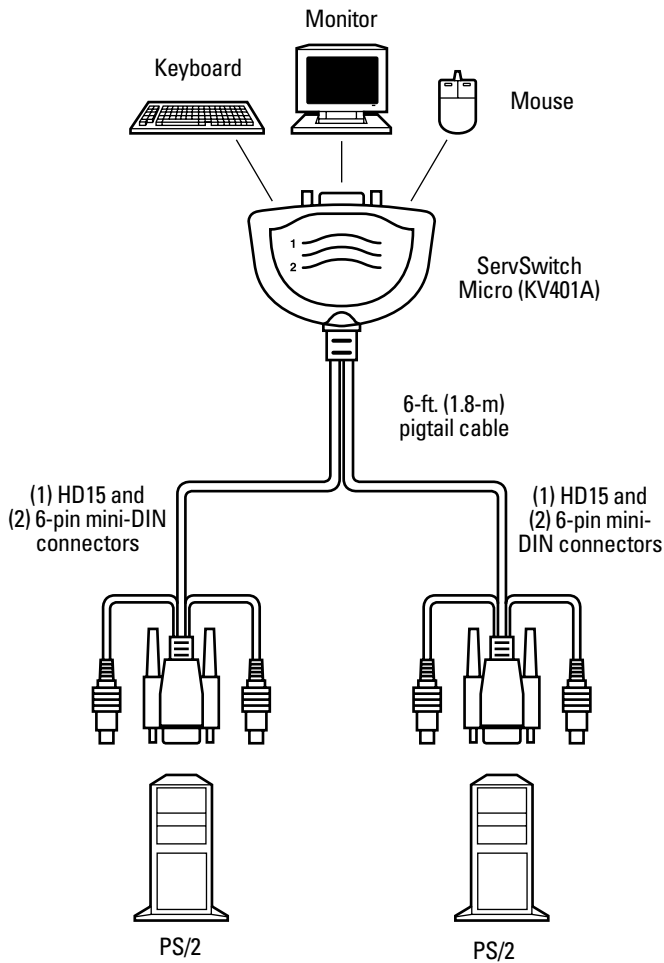
According to a survey by Data Communications magazine, 90% of network managers surveyed say that getting the technical support they need is extremely important when choosing a

vendor. But even though network managers pay anywhere from 10 to 20% of their overall purchase price for a basic service and support contract, the technical support and service they receive falls far short of their expectations—and certainly isn't worth what they paid.

At Black Box, we guarantee the best value and the best support. You can even consult our Technical Support Experts before you buy if you need help selecting just the right component for your application.

Don't waste time and money—call Black Box today.

The ServSwitch Micro in a typical application.



Specifications

Video Resolution: 1920 x 1440 DDC, DDC2, and DDC2B

Scan Interval: 3, 8, 15, and 30 seconds

Cable Length to Computer: 6 ft. (1.8 m)

Software Requirements: Windows® 95/98/Me/XP, Windows 2000, Windows NT®, or Linux®

Connectors: User end: All: (1) HD15 for connection to shared monitor, (2) 6-pin mini-DIN for connection to shared keyboard and mouse;

KV404A–KV406A only:
(1) 2.5-mm female stereo audio connector;

Computer end: KV401A: (2) HD15 and (4) 6-pin mini-DIN for connection to two PS/2® monitors, keyboards, and mice;

KV402A: (2) HD15 for monitor port, (2) USB Type A for keyboard and mouse ports;

KV403A: (2) HD15 for monitor port, (1) USB Type A for keyboard and mouse ports, (2) 6-pin mini-DIN for keyboard and mouse ports;

Connectors (continued):

Computer end (continued):

KV404A: (2) HD15 and (4) 6-pin mini-DIN for connection to two PS/2 monitors, keyboards, and mice, (2) 2.5-mm male stereo audio connectors;

KV405A: (2) HD15 for monitor port, (2) USB Type A for keyboard and mouse ports, (2) 2.5-mm male stereo audio connectors;

KV406A: (2) HD15 for monitor port, (1) USB Type A for keyboard and mouse ports, (2) 6-pin mini-DIN for keyboard and mouse ports, (2) 2.5-mm male stereo audio connectors

Indicators: (2) Yellow status LEDs

Temperature Tolerance: 41 to 104°F (5 to 40°C)

Relative Humidity: Up to 80%

Power: From the interface

Size: 1.9"H x 2.4"W x 0.8"D (4.8 x 6.1 x 2 cm)

Weight: 0.6 lb. (0.3 kg)

Ordering Information

ITEM	CODE
ServSwitch Micro	
(2) PS/2	KV401A
(2) USB	KV402A
(1) PS/2 and (1) USB	KV403A
ServSwitch Micro with Audio	
(2) PS/2	KV404A
(2) USB	KV405A
(1) PS/2 and (1) USB	KV406A

