



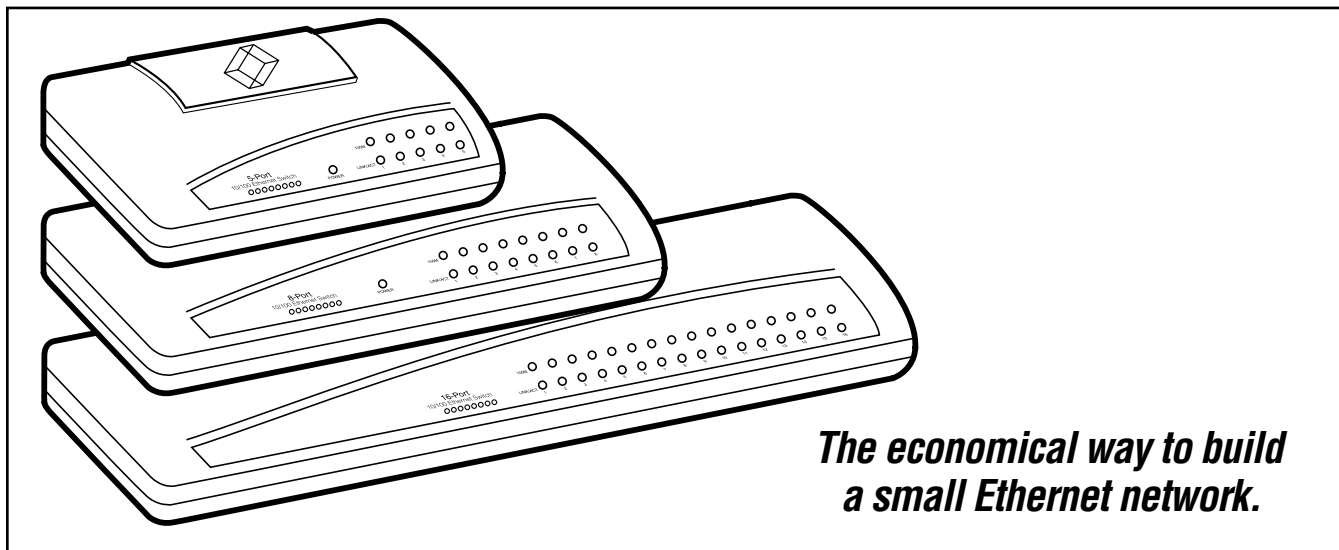
BLACK BOX[®]

NETWORK SERVICES

© 2003. All rights reserved.
Black Box Corporation.

Black Box Corporation • 1000 Park Drive • Lawrence, PA 15055-1018 • Tech Support: 724-746-5500 • www.blackbox.com • e-mail: info@blackbox.com

PURE NETWORKING 10/100 ETHERNET SWITCHES



*The economical way to build
a small Ethernet network.*

Key Features

- ▶ **Five, eight, or sixteen 10-/100-Mbps ports.**
- ▶ **Autosensing ports adapt automatically to 10- or 100-Mbps Ethernet.**
- ▶ **Autonegotiating half-/full duplex.**
- ▶ **Full wire speed.**
- ▶ **Non-blocking, store-and-forward switching architecture.**
- ▶ **Auto MDI-X function on all ports eliminates the need for cross-pinned cables.**

Use a Pure Networking 10/100 Ethernet Switch as the hub to build your small network. They're easy to install—literally plug and play—and bring versatility to your network by enabling you to mix and match 10-Mbps and 100-Mbps devices. Best of all, they're priced to make small networking affordable.

Use a switch to build a small network from scratch. It's easy—just connect the Ethernet port of each PC to a port on the switch using CAT5e cable.

You can also use a switch to extend an existing network or to migrate a 10-Mbps 10BASE-T network to Fast Ethernet.

If your current network is built around an Ethernet hub, you can increase network efficiency simply by upgrading to a switch.

Unlike a hub in which all network devices share the same bandwidth, each device connected to a switch gets its own dedicated 10- or 100-Mbps of bandwidth.

The switches keep your network traffic moving in the right direction by examining each data packet and sending it to the correct port. They're self learning and determine the Ethernet addresses in use on each segment, building a table as packets are passed through the switch.

Pure Networking 10/100 Ethernet switches come in sizes to fit every small network: choose from 5, 8, or 16 10-/100-Mbps ports. All feature a compact design for desktop or wallmount use.

The switches are non-blocking to provide full wire speed to all connected devices for optimal network performance.

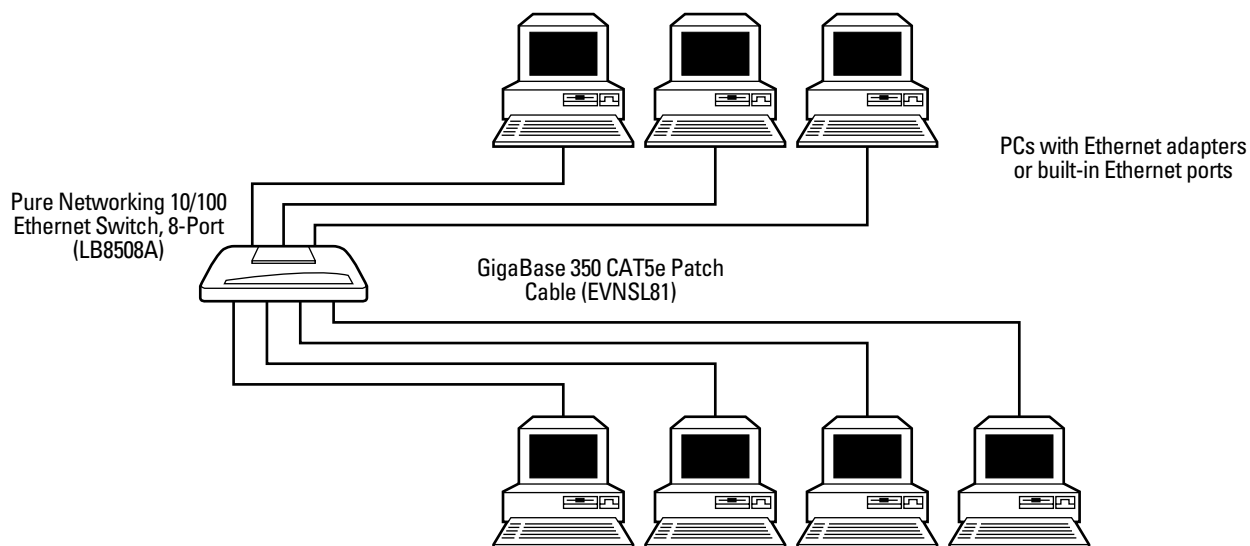
Store-and-forward switching architecture eliminates error packets in your network, improving efficiency.

Autosensing ports adapt automatically to 10- or 100-Mbps Ethernet.

The switches are auto-negotiating for half- or full duplex. By using full duplex, you can effectively double network speed for a maximum throughput of 200 Mbps per port.

An auto MDI-X function on all ports eliminates the need for cross-pinned cables.

A simple 10/100BASE-T Ethernet network



Use 10/100 Ethernet Switches as hubs to build a small network or to add more PCs to your existing network.

Specifications

Buffer:

LB8505A: 128 KB;
LB8508A: 256 KB;
LB8516A: 512 KB

Filtering and Forwarding Rate:

148,800 pps

MAC Address Table:

LB8505A: 1K;
LB8508A, LB8516A: 8K

Standards:

IEEE 802.3 10BASE-T,
IEEE 802.3u 100BASE-TX

Switching Architecture:

Store and forward

Connectors:

(5), (8), or (16) RJ-45

Indicators:

LEDs:
Per unit: (1) Power;
Per port: (1) 10/100 Mbps;
(1) LNK/ACT

CE Approval:

Yes
Temperature: 32 to 131°F (0 to 55°C)

Humidity: 10 to 95%,
noncondensing

Power: 120-VAC, 60-Hz external
power supply

Size: LB8505A: 1.3"H x 5"W x 3.3"D
(3.3 x 12.7 x 8.4 cm);
LB8508A: 1.4"H x 7.4"W x 3.9"D
(3.6 x 18.8 x 9.9 cm);
LB8516A: 1.4"H x 11.4"W x 3.9"D
(3.6 x 29 x 9.9 cm)

Weight: LB8505A: 0.4 lb. (0.2 kg);
LB8508A: 0.6 lb. (0.3 kg);
LB8516A: 1.1 lb. (0.5 kg)

Ordering Information

ITEM

CODE

Pure Networking 10/100 Ethernet Switches

5-PortLB8505A
8-PortLB8508A
16-Port.....LB8516A

For each PC on your network, you may need...

Pure Networking PCI Bus Network Adapter.....LE1600C

For more information, request or download
FaxBack 10346 or contact Technical Support.

To share a broadband connection among network users, order...

Pure Networking Broadband RouterLR9601A

For more information, request or download
FaxBack 10353 or contact Technical Support.

For optimum performance, order...

GigaBase® 350 CAT5e Patch Cable with Snagless
Boots, 350 MHz, 24 AWG, RJ-45, 4-Pair, T568B,
PVC, Blue

1-ft. (0.3-m).....EVNSL81-0001
3-ft. (0.9-m).....EVNSL81-0003
5-ft. (1.5-m).....EVNSL81-0005
6-ft. (1.8-m).....EVNSL81-0006
7-ft. (2.1-m).....EVNSL81-0007
10-ft. (3-m).....EVNSL81-0010
20-ft. (6.1-m).....EVNSL81-0020



Black Box offers the best warranty program in the industry—Fido Protection®. For more information, request **FaxBack 22512**.